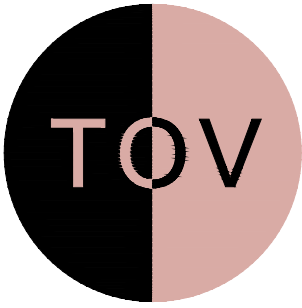
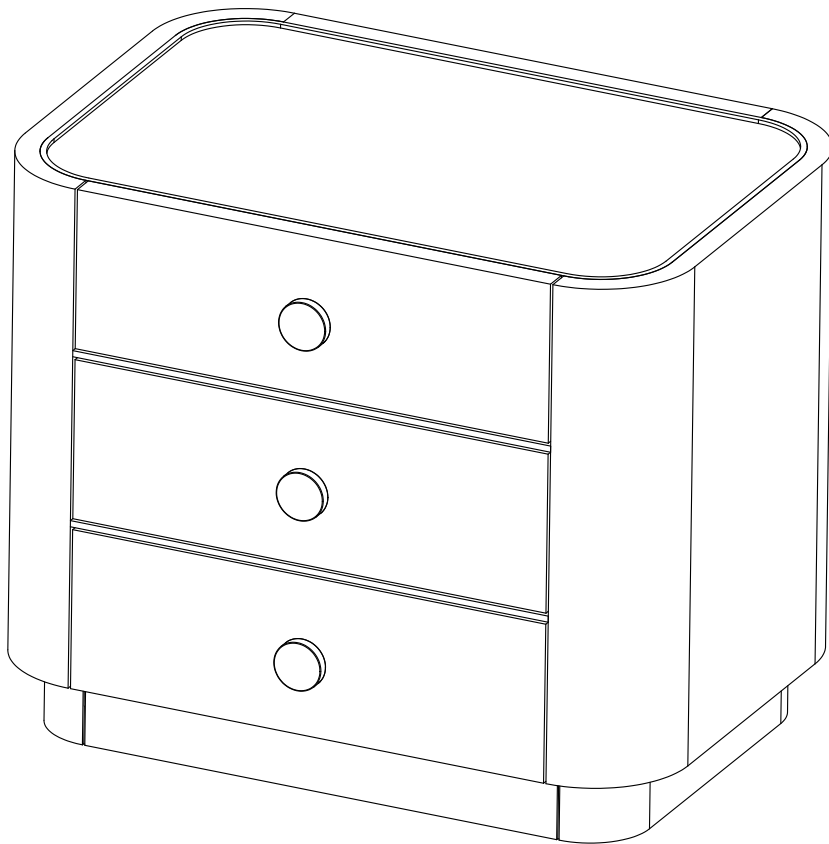


ABIGAIL NIGHTSTAND

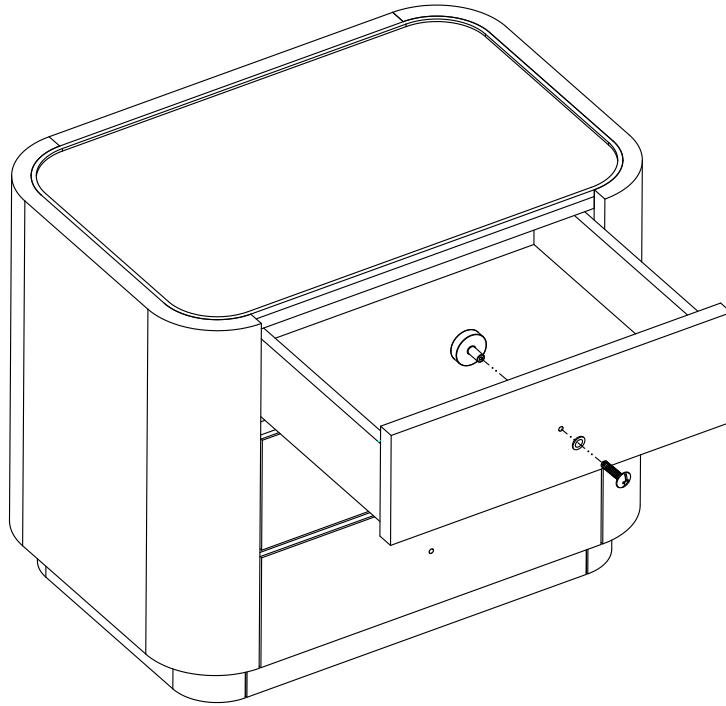


# ABIGAIL NIGHTSTAND ASSEMBLY INSTRUCTIONS

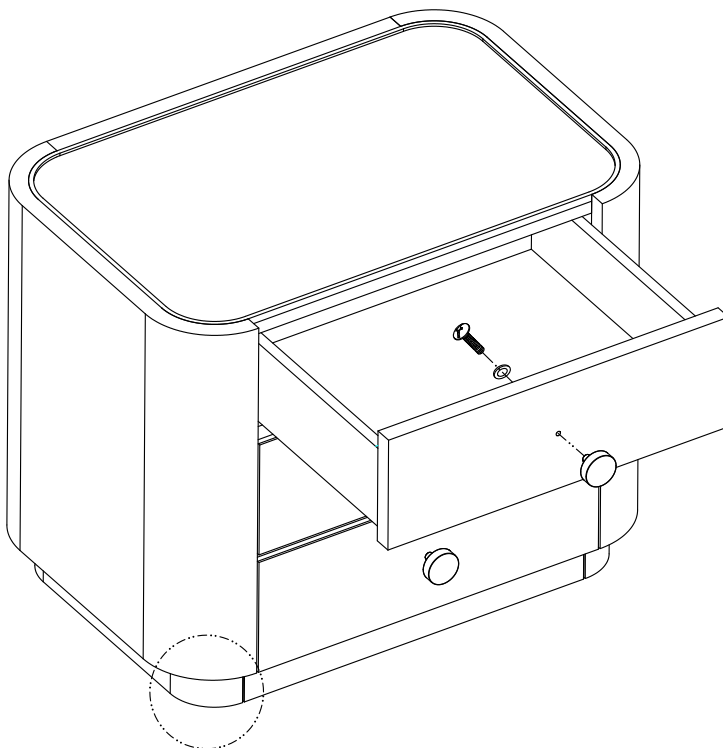


# ASSEMBLY STEPS

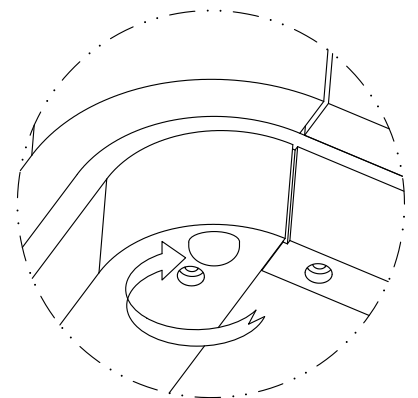
- STEP 1** 1) Open the drawer.  
2) Unscrew the drawer handle as illustrated.



- STEP 2** 1) Using the same hardware , install the drawer handle as shown.



Adjust leveler as needed



## CARE & MAINTENANCE



Do not put hot items directly on furniture surface.



Do not clean furniture with harsh cleansers or polish



Dust and wipe up spills using a clean, non-colored, lint-free cloth.



Stains may be removed with a mild soap solution and a damp cloth.



Do not place furniture under direct sunlight.



Do not place furniture near heating or cooling vents.



Do not write on furniture without a padded barrier to protect the surface.



Do not place furniture outside, for indoor use only.

**"Need a part? Call TOV at 516-888-3355 or  
email [service@tovfurniture.com](mailto:service@tovfurniture.com)"**