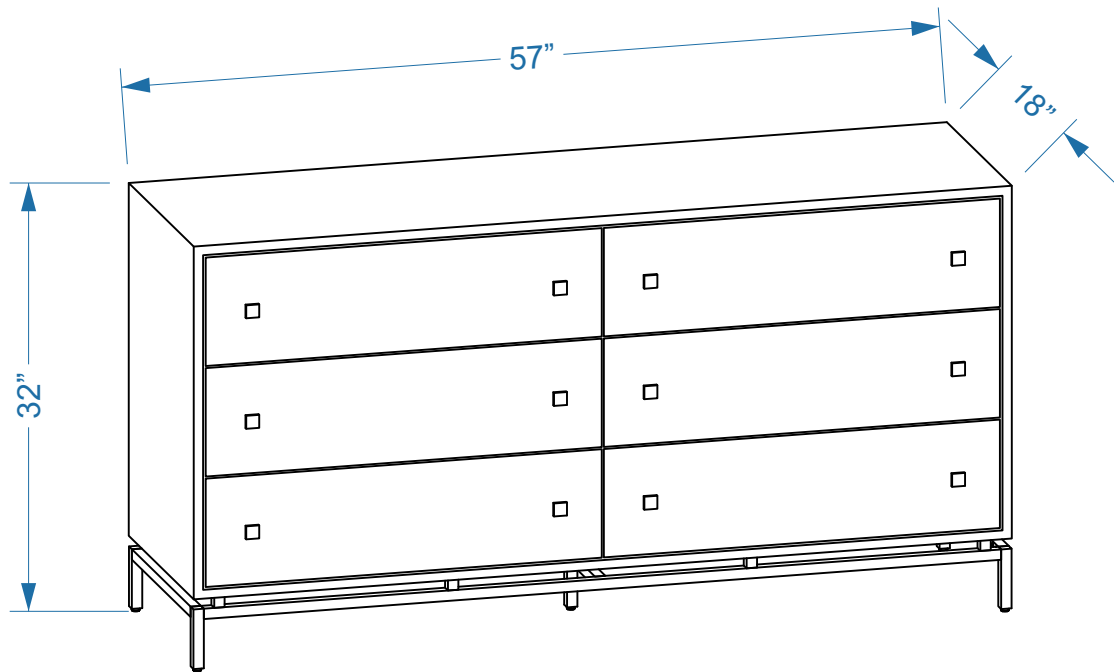


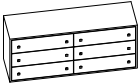

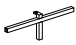

PESCE SHAGREEN DRESSER

PESCE




ASSEMBLY INSTRUCTIONS



PARTS LIST

LABEL	PICTURE	DESCRIPTION	QTY
A		CHEST	1
B		LEG-1	2
C		LEG-2	1
D		METAL BAR	2

HARDWARE

LABEL	PICTURE	DESCRIPTION	QTY
E		SCREW M6x15	21
F		WASHER Ø16xØ6x1.5mm	21
G		WRENCH M4X60	1

BEFORE BEGINNING ASSEMBLY:



Read instructions cover to cover



Have two adults on hand for assembly



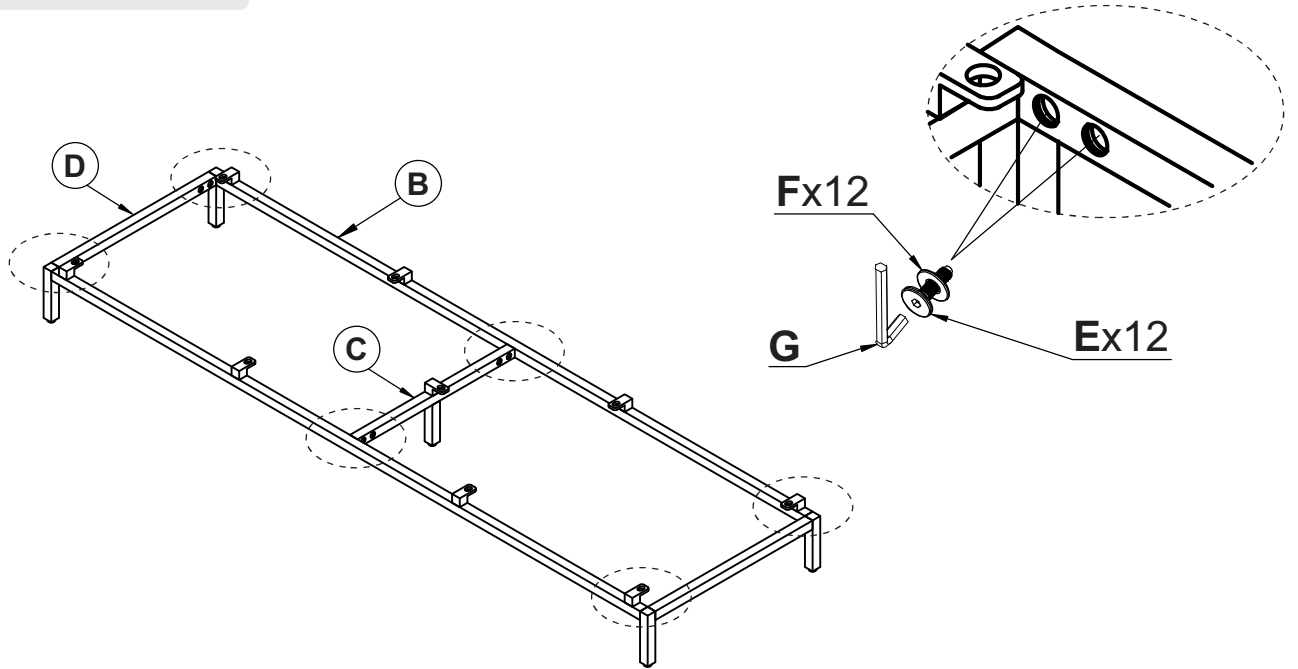
Do NOT assemble on flooring or carpet. Assemble on a clean non-marring surface (ex: packing foam)



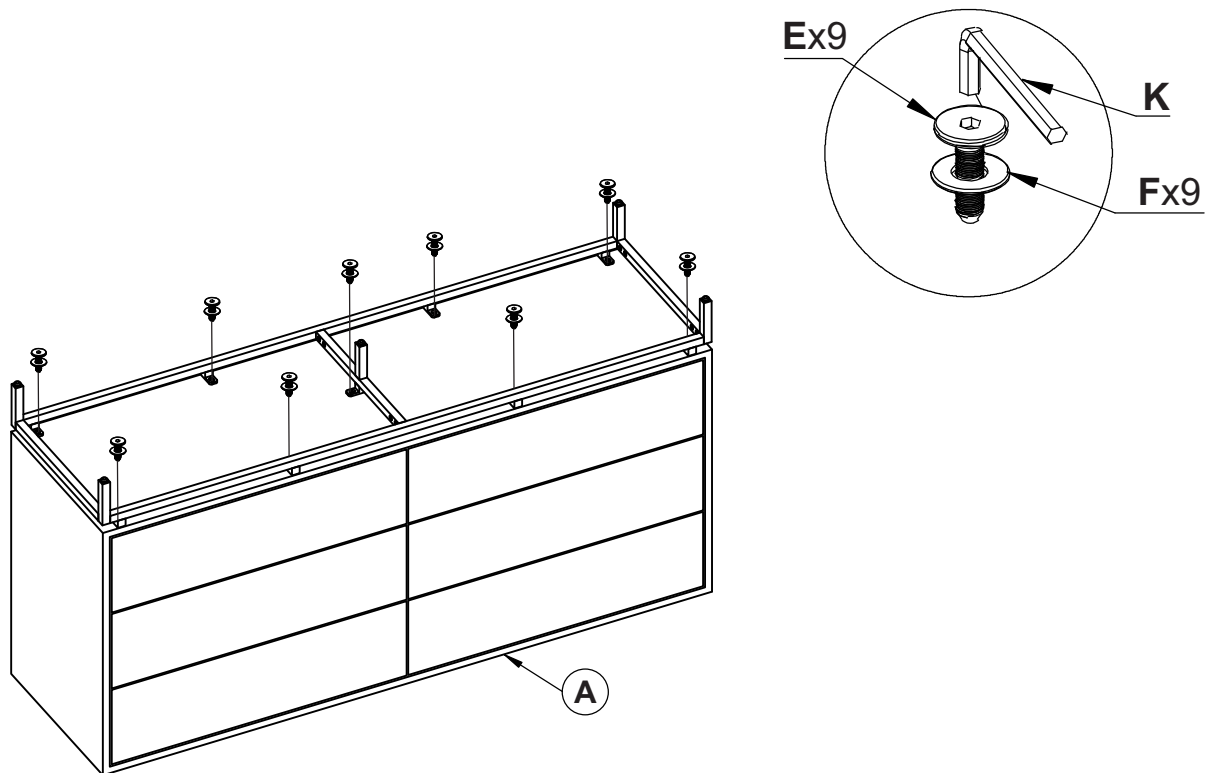
Save all packaging until assembly is completed

ASSEMBLY STEPS

STEP#1

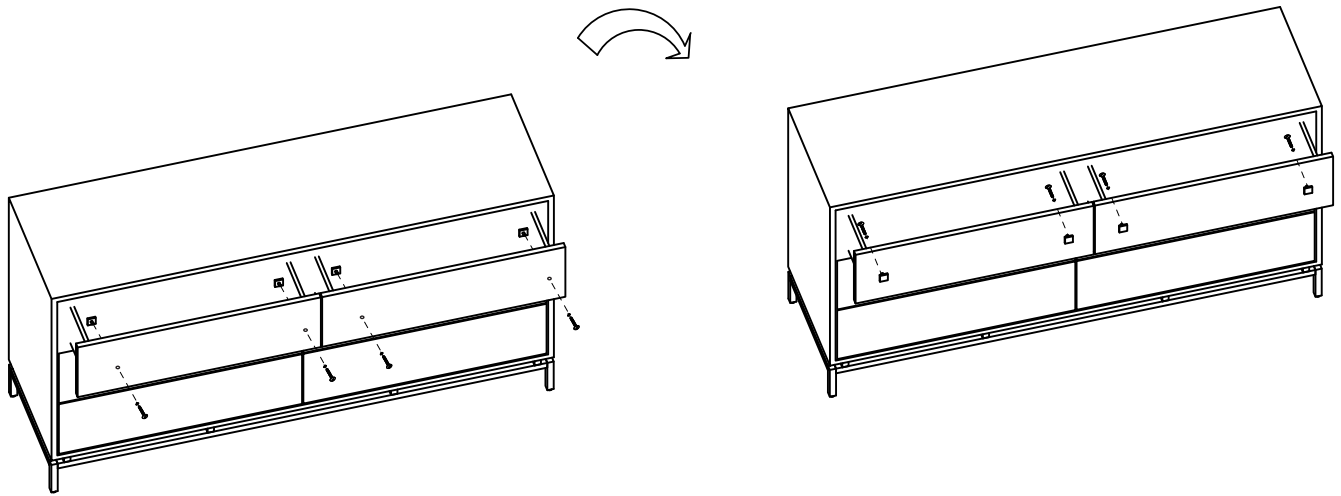


STEP#2

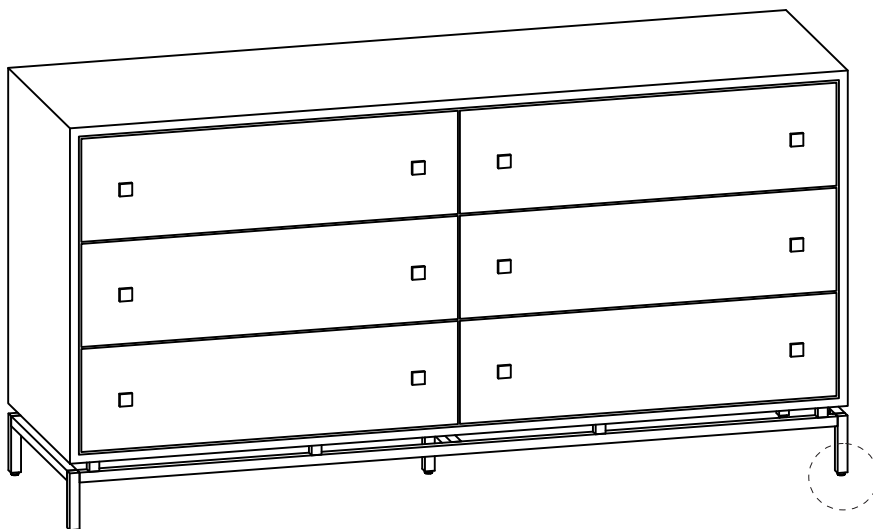


ASSEMBLY STEPS

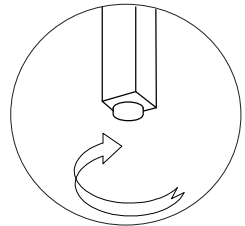
STEP#3



COMPLETE



Adjust leveler as needed



CARE & MAINTENANCE



Do not put hot items directly on furniture surface.



Do not clean furniture with harsh cleansers or polish



Dust and wipe up spills using a clean, non-colored, lint-free cloth.



Stains may be removed with a mild soap solution and a damp cloth.



Do not place furniture under direct sunlight.



Do not place furniture near heating or cooling vents.



Do not write on furniture without a padded barrier to protect the surface.



Do not place furniture outside, for indoor use only.

**"Need a part? Call TOV at 516-888-3355 or
email service@tovfurniture.com"**