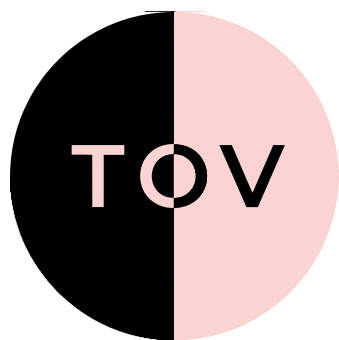
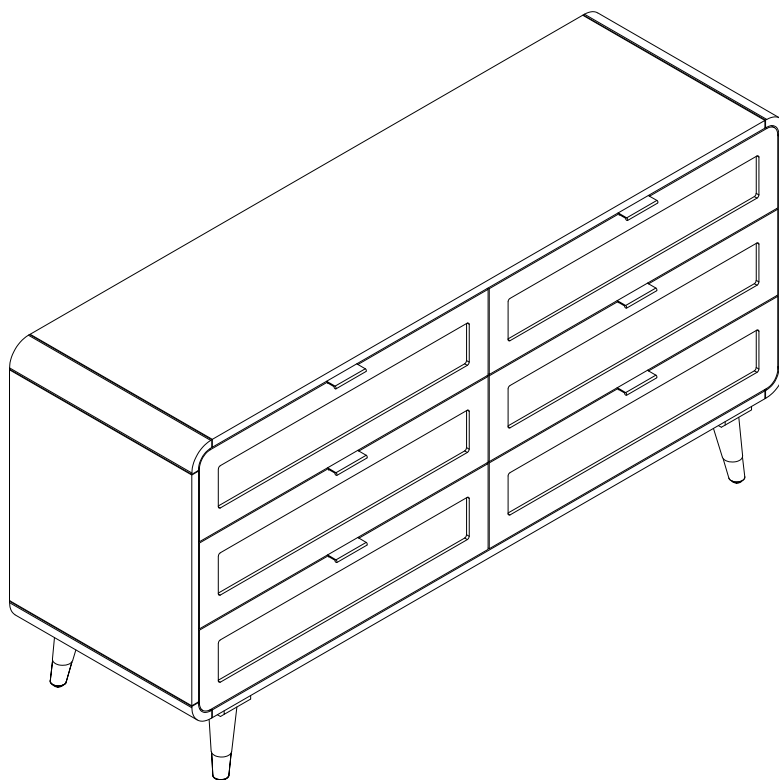


CHRISTINE 6 DRAWER DRESSER

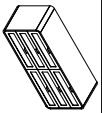
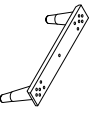



CHRISTINE





ASSEMBLY INSTRUCTIONS



PARTS LIST

LABEL	PICTURE	DESCRIPTION	QTY
A		CHEST	1
B		LEGS	2
C		CENTER LEGS	1

HARDWARE

LABEL	PICTURE	DESCRIPTION	QTY
D		BOLT M8x30	10
E		WASHER M8	10
F		WRENCH K4x60	1
G		ANTI-TIP KITS(SET)	2

BEFORE BEGINNING ASSEMBLY:



Read instructions cover to cover



Have two adults on hand for assembly



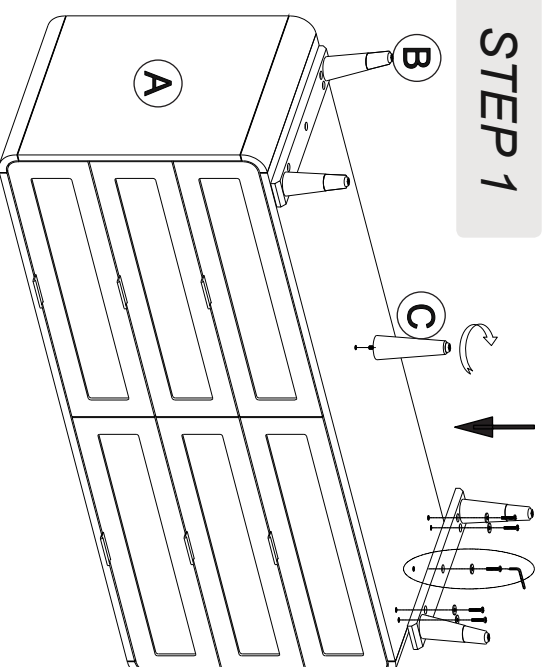
Do NOT assemble on flooring or carpet. Assemble on a clean non-marring surface (ex: packing foam)



Save all packaging until assembly is completed

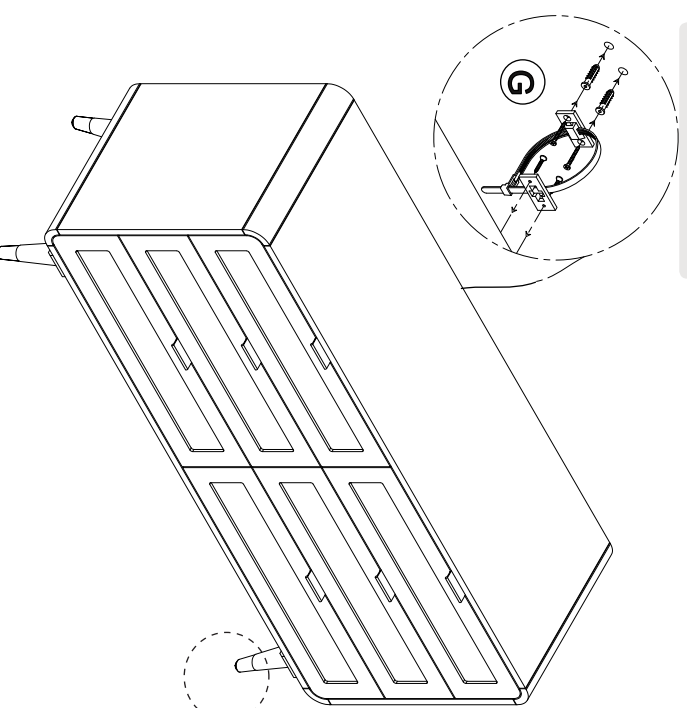
ASSEMBLY STEPS

STEP 1

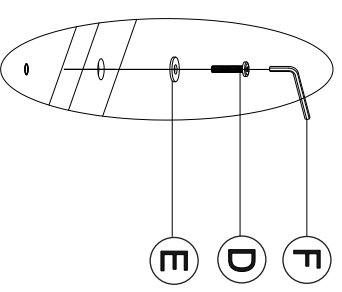
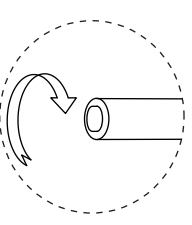


Position the product with care and secure the legs as shown.

STEP 2



Adjust leveler as needed



CARE & MAINTENANCE



Do not put hot items directly on furniture surface.



Do not clean furniture with harsh cleansers or polish



Dust and wipe up spills using a clean, non-colored, lint-free cloth.



Stains may be removed with a mild soap solution and a damp cloth.



Do not place furniture under direct sunlight.



Do not place furniture near heating or cooling vents.



Do not write on furniture without a padded barrier to protect the surface.



Do not place furniture outside, for indoor use only.

**"Need a part? Call TOV at 516-888-3355 or
email service@tovfurniture.com"**