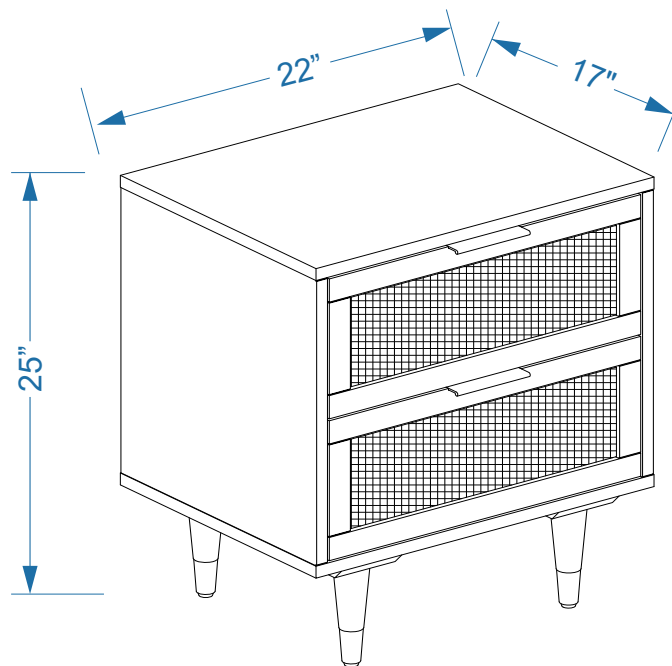


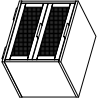

SIERRA NOIR NIGHTSTAND

# SIERRA

## ASSEMBLY INSTRUCTIONS

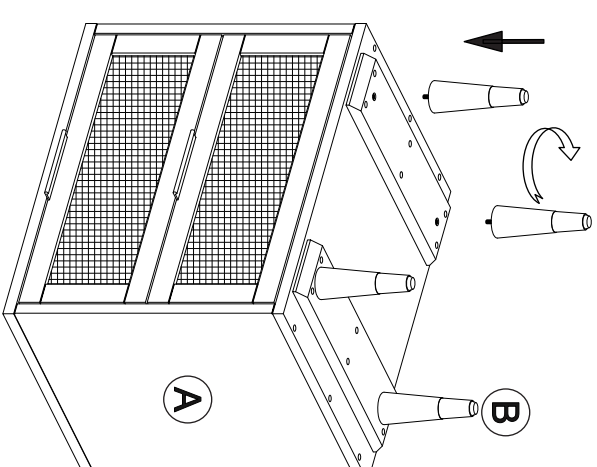


## PARTS LIST

LABEL	PICTURE	DESCRIPTION	QTY
A		NIGHTSTAND	1
B		LEGS	4

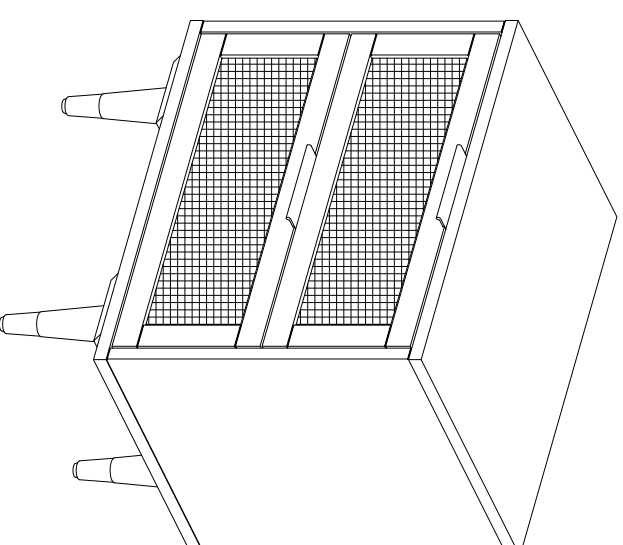
## ASSEMBLY STEPS

### STEP 1







Position the product with care and secure the legs as shown.

### FINISH



#### BEFORE BEGINNING ASSEMBLY:

-  Read instructions cover to cover
-  Have two adults on hand for assembly
-  Do NOT assemble on flooring or carpet. Assemble on a clean non-marring surface (ex: packing foam)
-  Save all packaging until assembly is completed

---

## CARE & MAINTENANCE

---



Do not put hot items directly on furniture surface.



Do not clean furniture with harsh cleansers or polish



Dust and wipe up spills using a clean, non-colored, lint-free cloth.



Stains may be removed with a mild soap solution and a damp cloth.



Do not place furniture under direct sunlight.



Do not place furniture near heating or cooling vents.



Do not write on furniture without a padded barrier to protect the surface.



Do not place furniture outside, for indoor use only.

**"Need a part? Call TOV at 516-888-3355 or  
email [service@tovfurniture.com](mailto:service@tovfurniture.com)"**