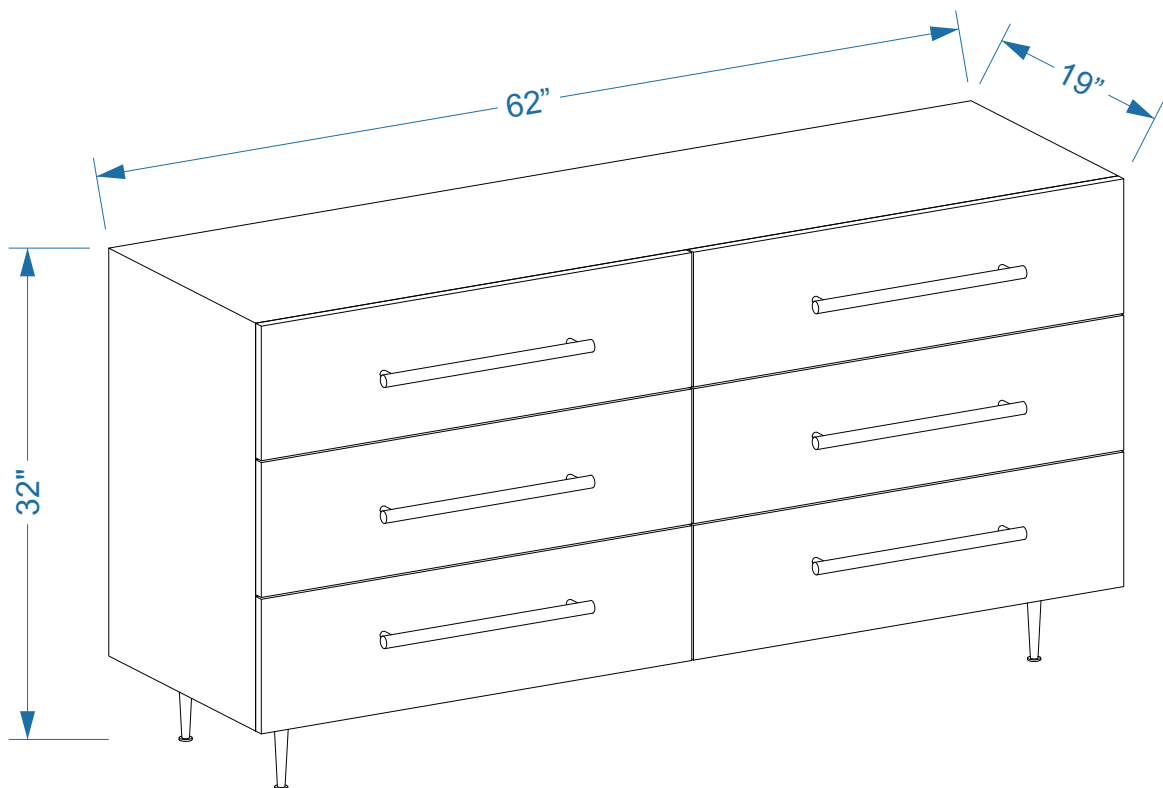


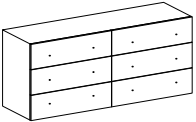

TRIDENT DRESSER

# TRIDENT

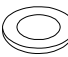
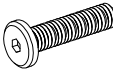

## ASSEMBLY INSTRUCTIONS



## PARTS LIST

LABEL	PICTURE	DESCRIPTION	QTY
A		BODY	1
B		LEG	5

## HARDWARE

LABEL	PICTURE	DESCRIPTION	QTY
C		WASHER Ø6/16xH1.5mm	20
D		SCREW M6x20	20
E		WRENCH M4x60	1

### BEFORE BEGINNING ASSEMBLY:



Read instructions cover to cover



Have two adults on hand for assembly



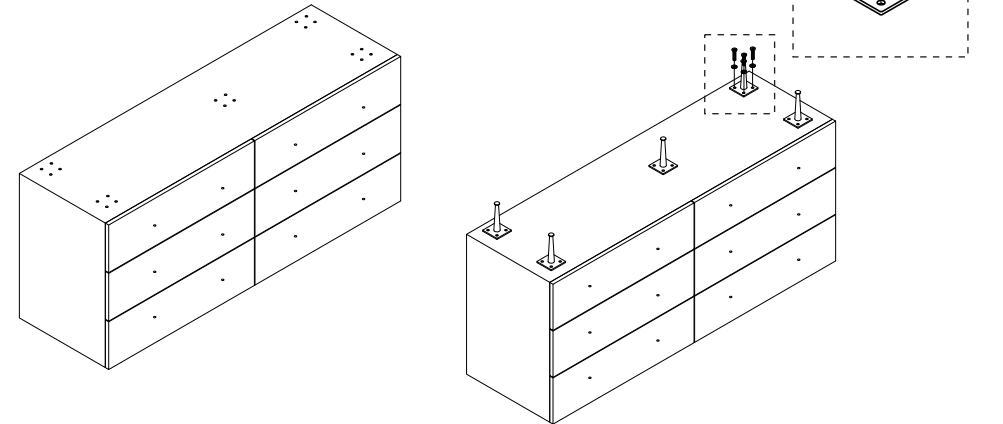
Do NOT assemble on flooring or carpet. Assemble on a clean non-marring surface (ex: packing foam)



Save all packaging until assembly is completed

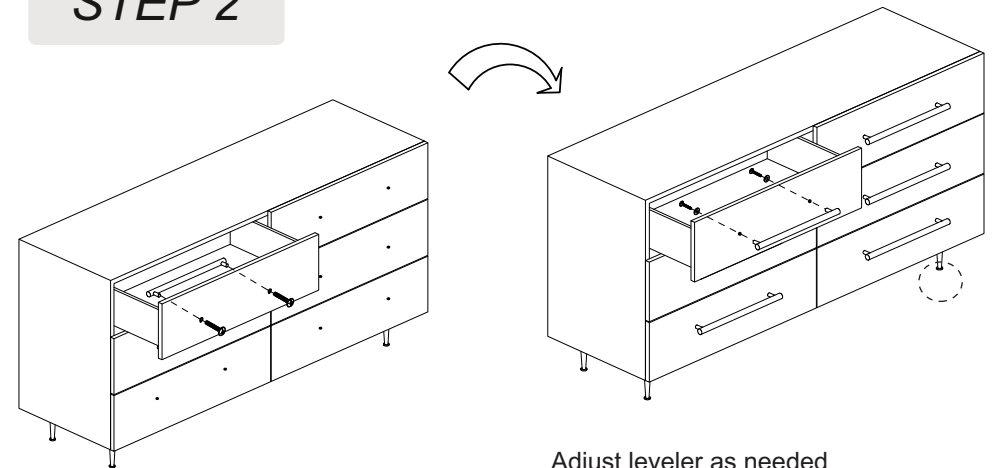
## ASSEMBLY STEPS

### STEP 1



Position the product on its bottom as shown

### STEP 2



Adjust leveler as needed

