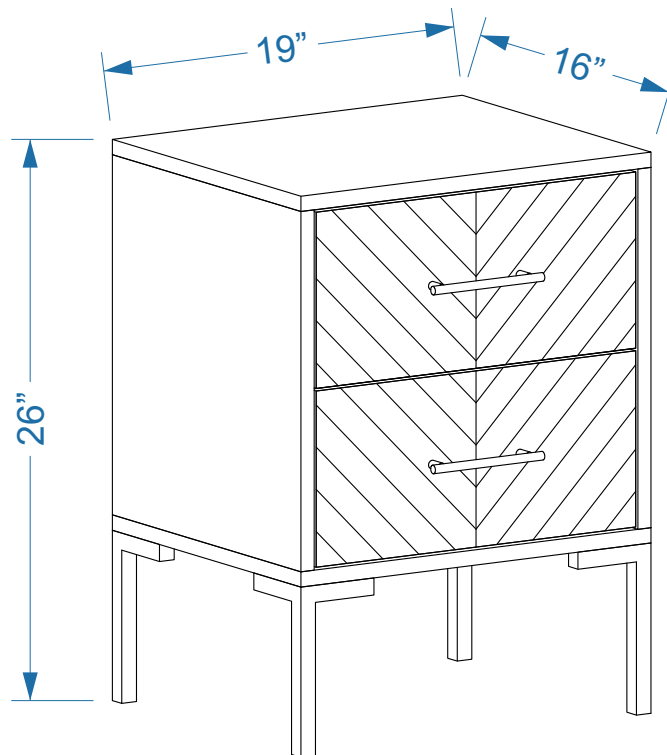


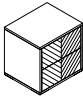
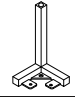
Quinn Side Table

# QUINN


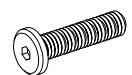

## ASSEMBLY INSTRUCTIONS



## PARTS LIST

LABEL	PICTURE	DESCRIPTION	QTY
A		CHEST	1
B		LEG	4

## HARDWARE

LABEL	PICTURE	DESCRIPTION	QTY
C		WASHER Ø6/16xH1.5mm	12
D		SCREW M6x20	12
E		WRENCH M4x60	1

### BEFORE BEGINNING ASSEMBLY:



*Read instructions cover to cover*



*Have two adults on hand for assembly*



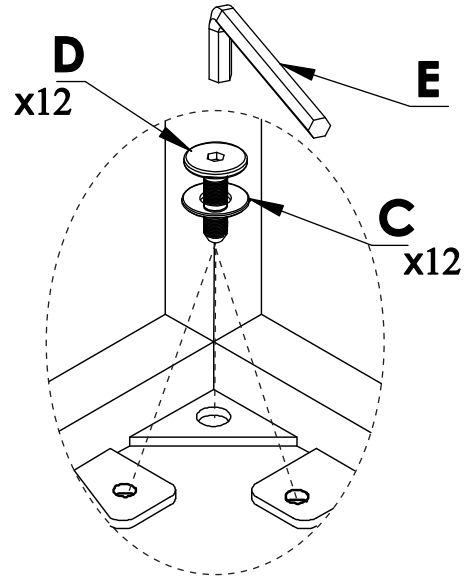
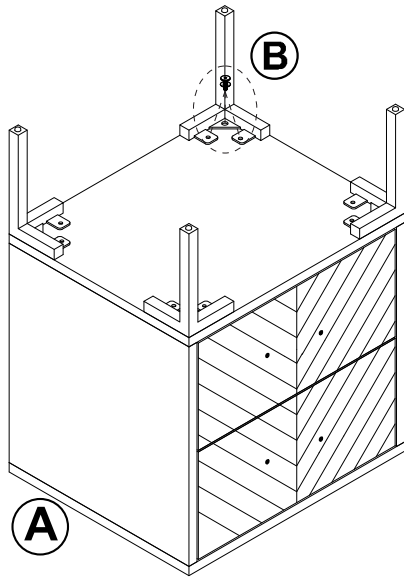
*Do NOT assemble on flooring or carpet. Assemble on a clean non-marring surface (ex: packing foam)*



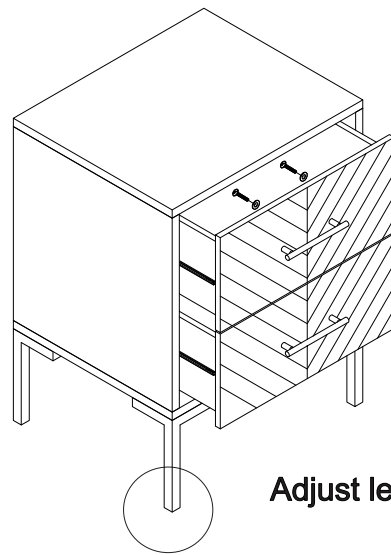
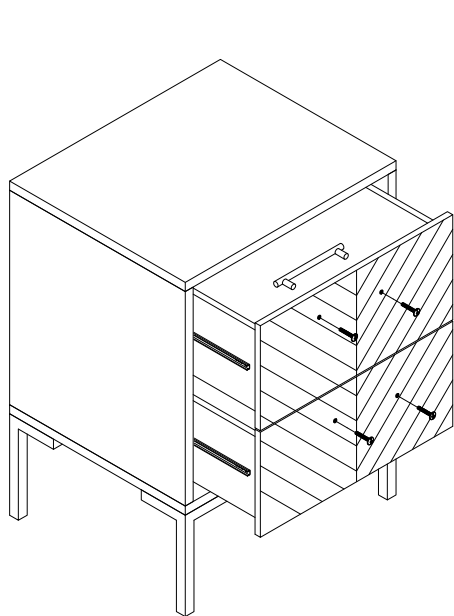
*Save all packaging until assembly is completed*

# ASSEMBLY STEPS

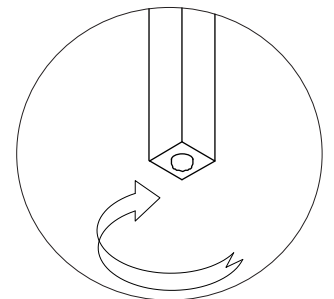
## STEP#1



## STEP#2



Adjust leveler (if case of need)



## CARE & MAINTENANCE



Do not put hot items directly on furniture surface.



Do not clean furniture with harsh cleansers or polish



Dust and wipe up spills using a clean, non-colored, lint-free cloth.



Stains may be removed with mild soap solution and a damp cloth.



Do not place furniture under direct sunlight.



Do not place furniture near heating or cooling vents.



Do not write on furniture without a padded barrier to protect the surface.



Do not place furniture outside, for indoor use only.

**"Need a part? Call TOV at 516-888-3355 or  
email [service@tovfurniture.com](mailto:service@tovfurniture.com)"**