





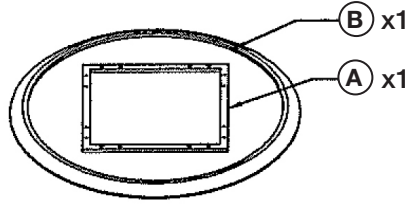
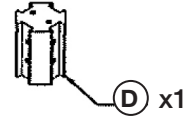
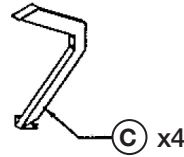


ASSEMBLY INSTRUCTIONS | INDUSTRY ROUND DINING TABLE

HARDWARE CHECKLIST		
1		Bolts M6x35 (8pcs)
2		Bolts M6x20 (8pcs)
3		Bolts M6x100 (8pcs)
4		Washers M6 (16pcs)
5		Allen Key K4 (1pc)
6		Wrench 13 (1pc)



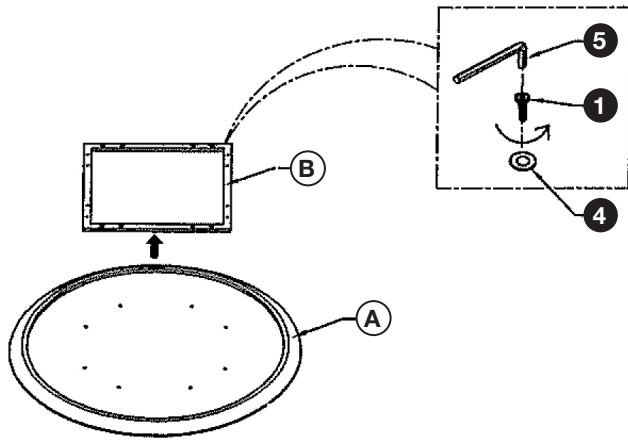
IMPORTANT: This unit requires at minimum 2 people to assemble



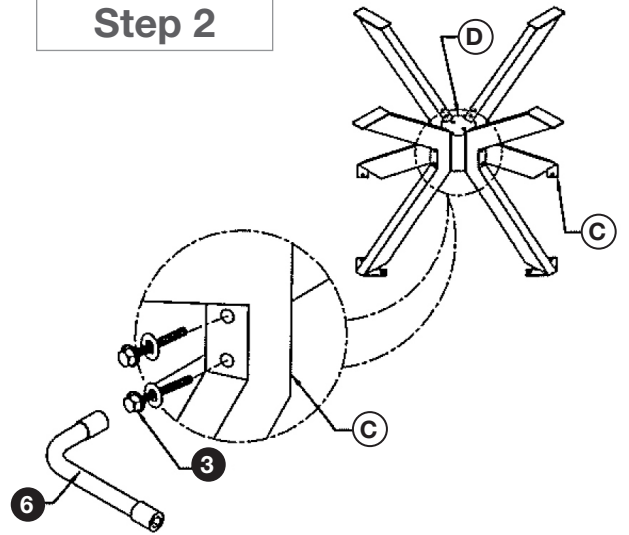
NOTE: Please do not tighten the screws and bolts before fully assembled

Step 1

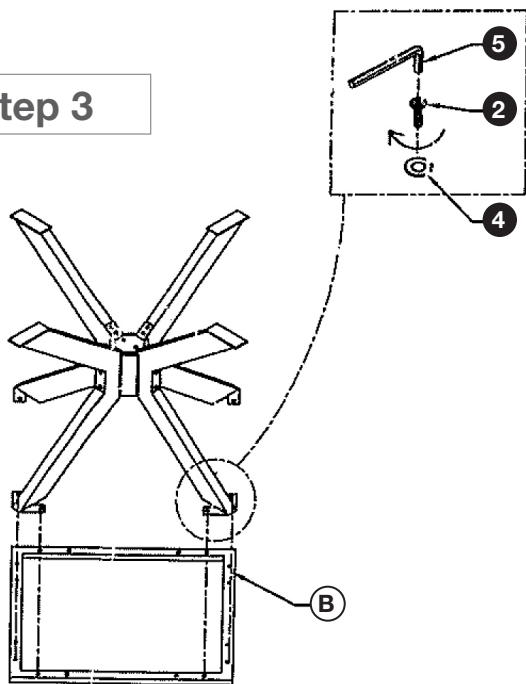
Remove the metal frame from the table top



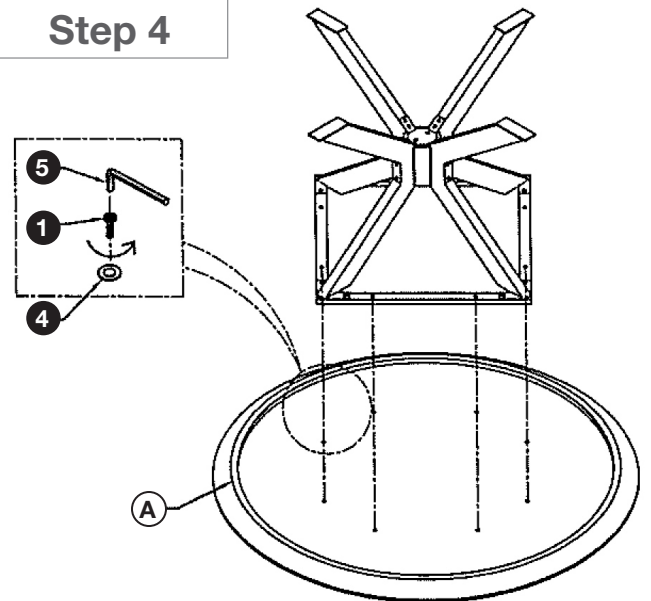
Step 2









Step 3



Step 4



ASSEMBLY INSTRUCTIONS | INDUSTRY ROUND DINING TABLE

HARDWARE CHECKLIST		
1		Bolts M6x35 (8pcs)
2		Bolts M6x20 (8pcs)
3		Bolts M6x100 (8pcs)
4		Washers M6 (16pcs)
5		Allen Key K4 (1pc)
6		Wrench 13 (1pc)

NOTE: Please do not tighten the screws and bolts before fully assembled

Finished

