

ASSEMBLY INSTRUCTIONS

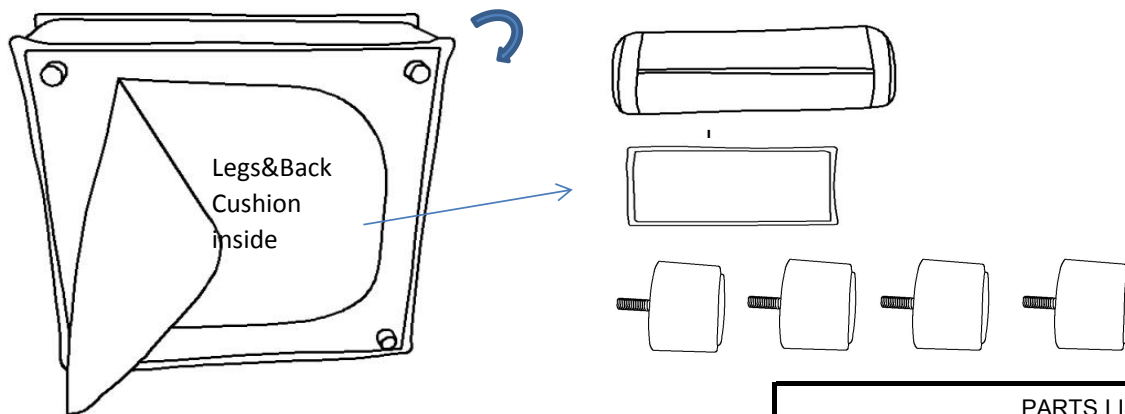
SU-UPX167: Chair

Please identify and locate all assembly parts (see parts list) before discarding any packing materials.

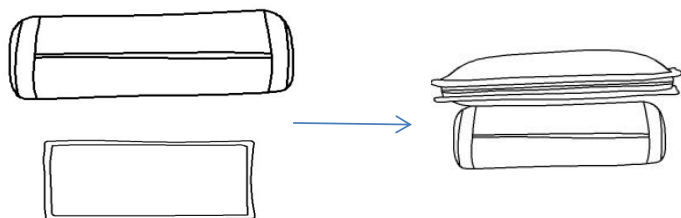
Some parts may have become loose during transit.

Step 1: LEG ASSEMBLY INSTRUCTION

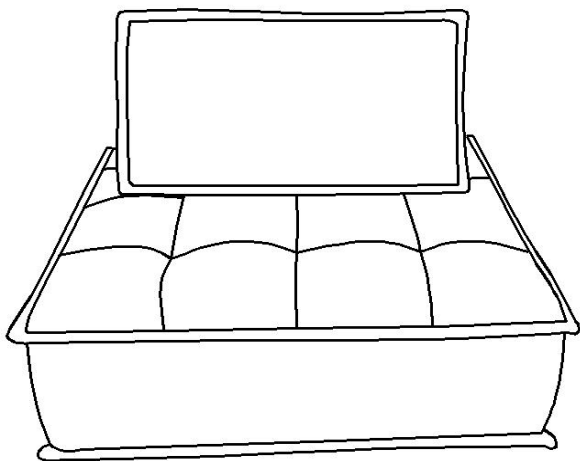
TURN OVER THE ITEM AND TAKE OUT THE LEGS AND BACK CUSHION FROM ZIPPERED POUCH AND ASSEMBLE THE LEGS AS PICTURES SHOW



STEP 2: ZIP THE BACK PILLOW TOGETHER AS BELOW



STEP 3: CONGRATULATIONS ON YOUR ASSEMBLY SUCCESS.



PARTS LIST			
NO	SKETCH	DESCRIPTION	QTY
1		BACK PILLOW-A	1PC
2		BACK PILLOW-B	1PC
3		LEG	4PCS