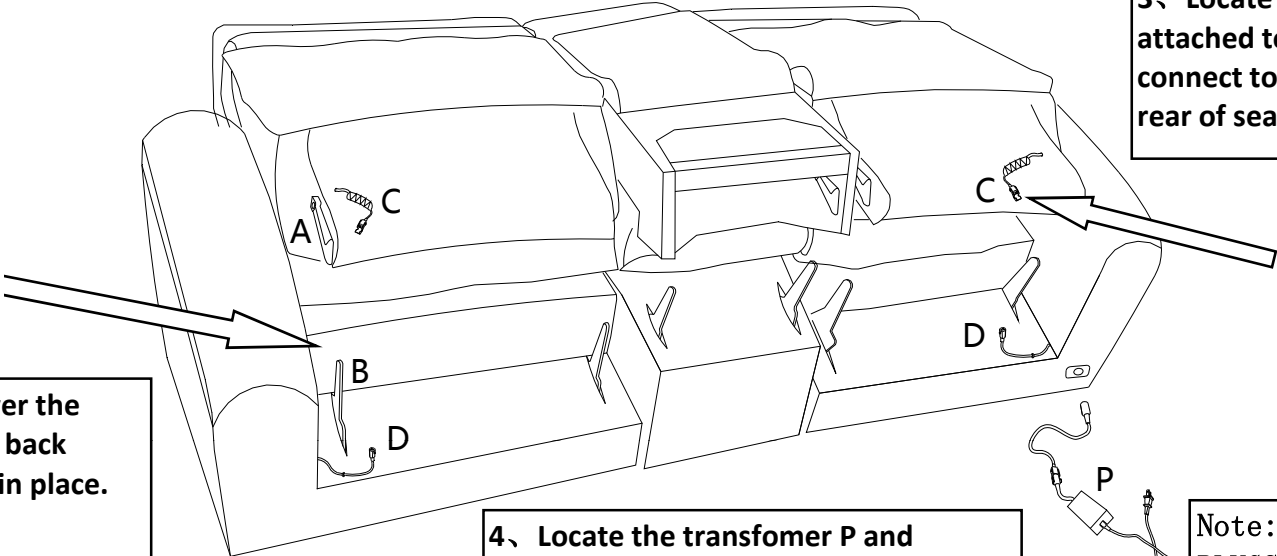
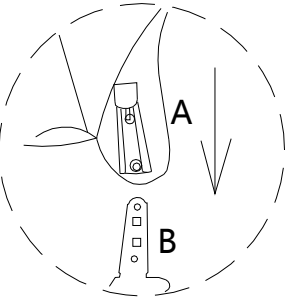


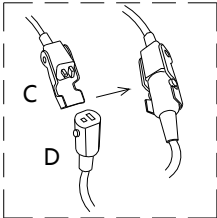
# Assembly Instructions for OPTIONS-73PHR

3、 Locate the power cord C attached to the bottom back and connect to plug D located at the rear of seat.



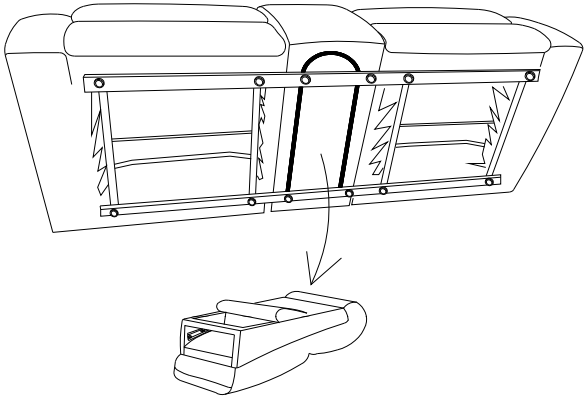
2、 Slide the metal receiver over the metal post. Press both sides of back firmly downward until locked in place.

4、 Locate the transformer P and connect to DC Port located at the rear of arm.



Note: Make sure all PLUGS are connected on the product before plugging power cord into power outlet. If not damage can occur.

1、 Remove the console back from the bottom of loveseat console



5、 Apply The Wings  
Insert the male KD Bracket into the slot of the female Bracket pressing firmly downward until the frame is tight.

