

PLASTIC FOOT INSTALLATION INSTRUCTION SHEET

STEP 1

The plastic feet are located inside the black dust cover at the bottom of the furniture. Unzip to remove the feet.





STEP 2

Take each plastic foot and place the plastic washer on to bolt of each plastic foot.

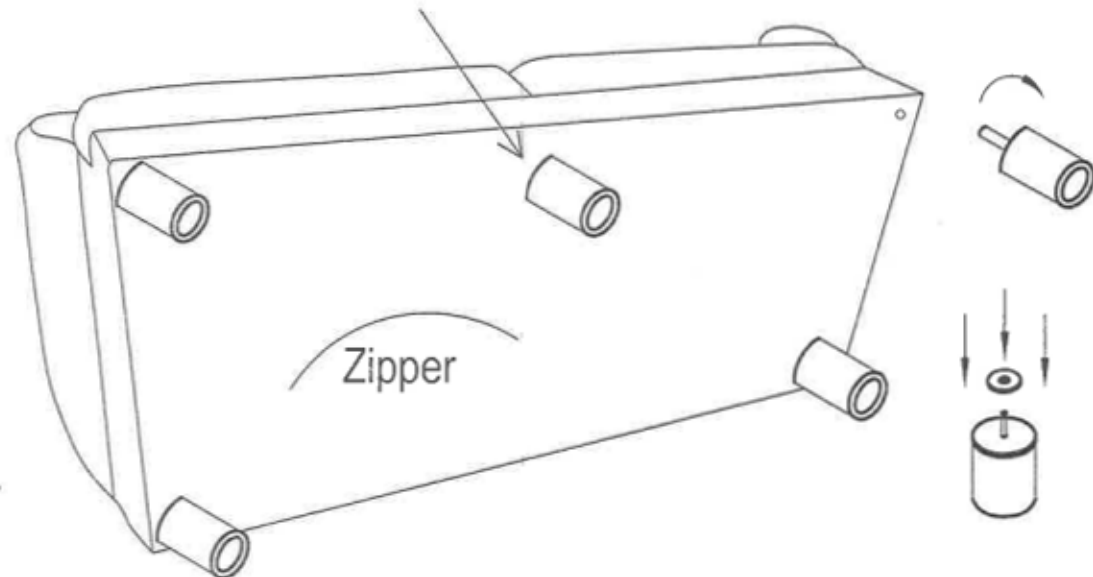
STEP 3

Attach each plastic foot to the corresponding pre-drilled holes by hand turning in clockwise direction until foot is tight.

NOTE: Please do not over tighten the plastic feet as it could cause damage.

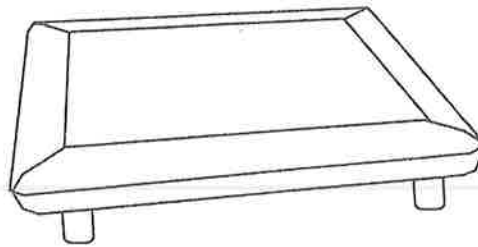
PARTS LIST			
Sofa Foot 5 Pieces		Sofa Plastic Washer 5 Pieces	
Loveseat / chair / ottoman Foot 4 Pieces		Loveseat / chair / ottoman Plastic Washer 4 Pieces	

Remark: Only Sofa Will Have Center Foot.



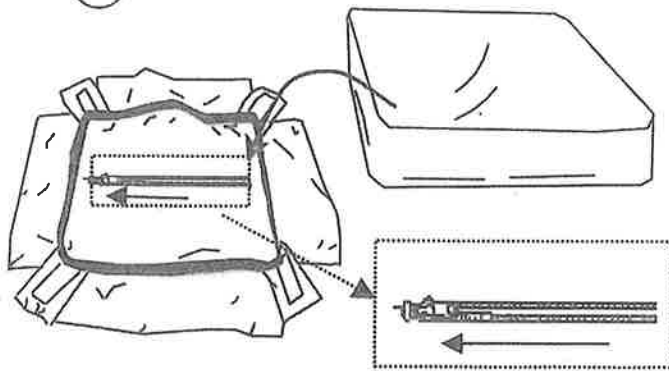
Assembly Instructions for Ottoman

1



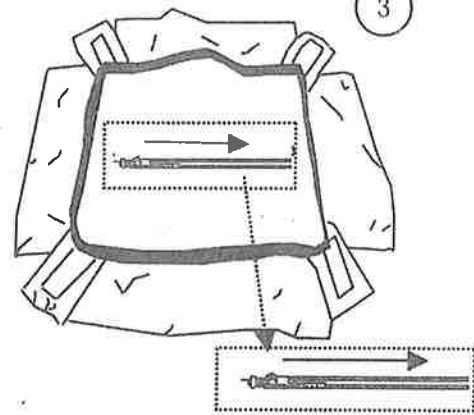
This is the ottoman base with legs.

2



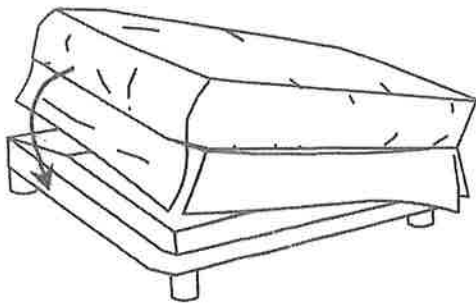
Unzip the zipper on bottom side of the cover. Insert the top cushion into the cover. Fluff and fill out all corners by regulating the top with your hands.

3



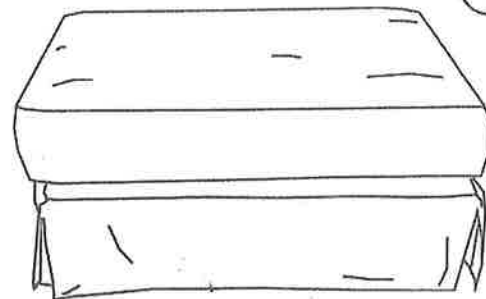
Close the zipper when finished the regulation on top cushion.

4



Turn over the top cushion and lay the top part on the base with the velcro matched and press down firmly.

5



Regulate the cover and skirt, tuck the creases. When finished, your slip cover fits snugly.

"Feather Blend seat and back cushions offer the maximum comfort, durability, and resilience. To maintain their shape and appearance, we do suggest fluffing and turning of the cushions periodically to enhance the look and the life of the cushion." To keep your upholstery looking at its best, avoid placing in direct sunlight as it may cause fading of fabric colors.