



701 E Industrial PK Dr
Manchester NH 03109
877-364-8464

Pls Check to make sure you have all parts otherwise contact local retailer or Sunset Trading customer service at 877-364-8464"

Thank You for purchasing this Quality product. It has been engineered for easy assembly yet constructed for durability. Please take the time to read and follow the instruction while assembling.

ASSEMBLY INSTRUCTION

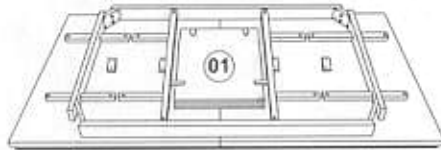
Butterfly Dining Table

36" x 48" x 60"L x (1- 12"Leaf) x 29 5/8"H

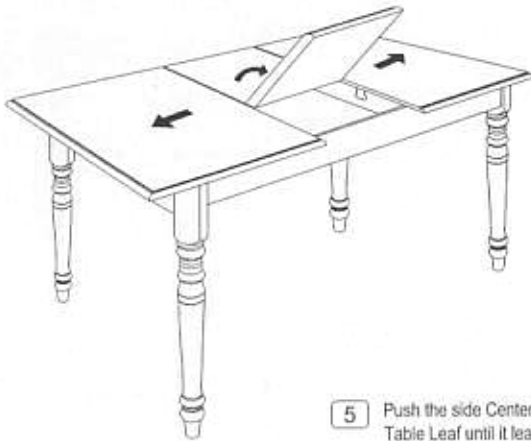
Model : DLU-TLB-3660
(DSEB-0919)

Sunset Trading
a div of Sunset Furniture Intl.LLC

- 1 Turn the under side of the Table Top over and place it on a clean and smooth surface such as rug or carpet to avoid the Table Top from being scratched .



- 4 Turn the assembled Table over carefully, pull the Table Top to both two sides then lift up the Center Leaf from the compartment and turn the Center Leaf to open to lie on apron.

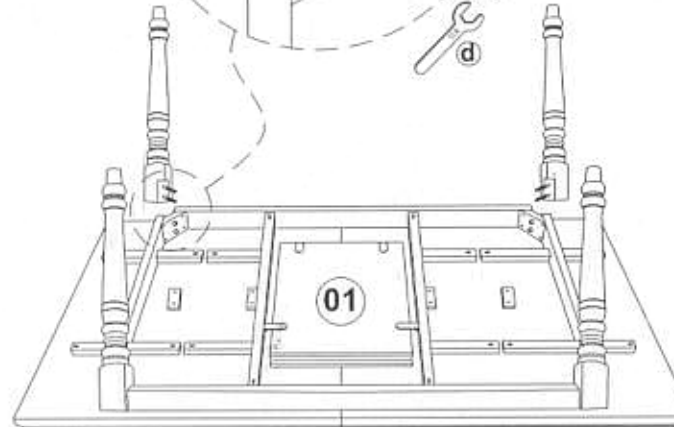
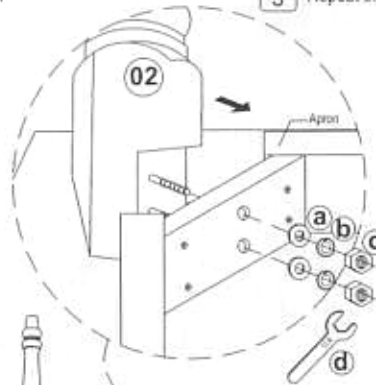


- 2 Fix the turned Leg to the corner of the apron with the Flat Washer , Spring Washer And Hex Nut using the Spanner to tighten it.

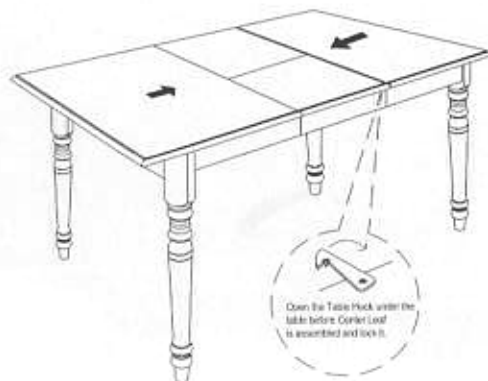
Remove the plastic cover from the Pedestal and Footings.



- 3 Repeat the same step for the other three Legs .



- 5 Push the side Center Top at both end close to the Table Leaf until it leaves no empty spaces.



Open the Table Hook under the table before Center Leaf is assembled and lock it.



Assembly Complete!

List of Part For 1 Set

01		Table Top	1
02		Table Leg With Nail Leg	4

List of hardware For 1 Set

a		Flat Washer 5/16" x 22mm	8
b		Spring Washer 5/16"	8
c		Hexagon Nut 5/16" x 7mm	8
d		Spanner 12.8mm	1

! Important Notes

- * Keep all hardware parts out of reach of children.
- * Must tighten screws periodically. With use screws will become loose. Check tightness of all screws every 6-8 weeks.
- * Don't attempt to repair or modify parts that are broken or defective. Please contact the store immediately.
- * Do not tighten all screw / bolt until all completely assembled.

Notes

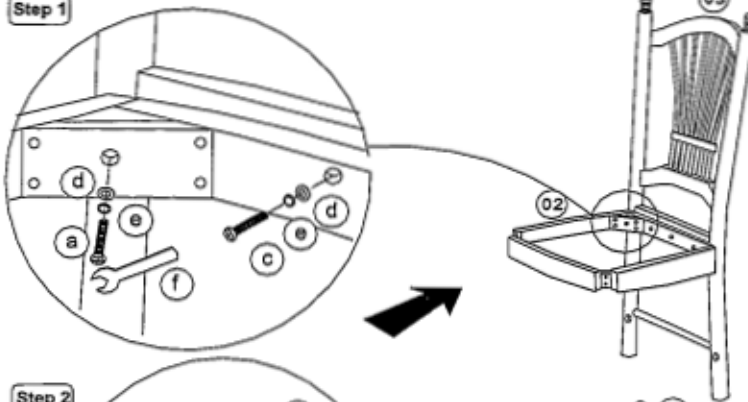
- * Place all wooden parts on a clean and smooth surface such as a rug or carpet to avoid the parts from being scratched.
- * Check to be sure that you have all parts and hardware.
- * Remove all wrapping materials including staples & packing straps before you start to assemble.

Thank You for purchasing this Quality product. It has been engineered for easy of assembly yet constructed for durability. Please take the time to read and follow the instruction while assembling.

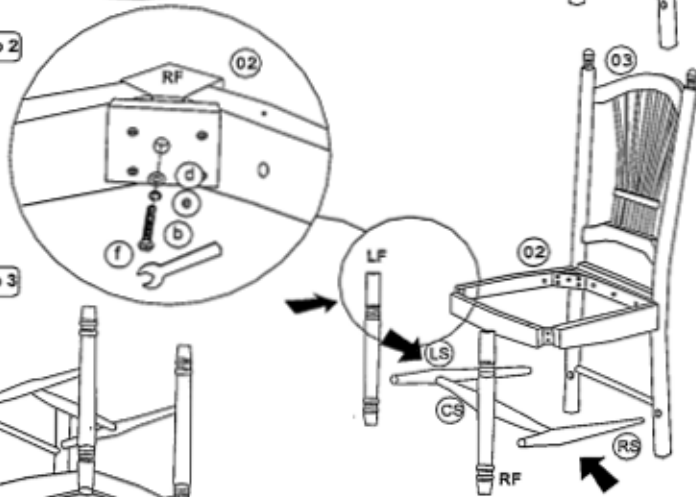
ASSEMBLY INSTRUCTION

21" (W) x 23 1/2" (D) x 43 1/4" (H) Side Chair
Model C-07 (C 0610 RTA FS)

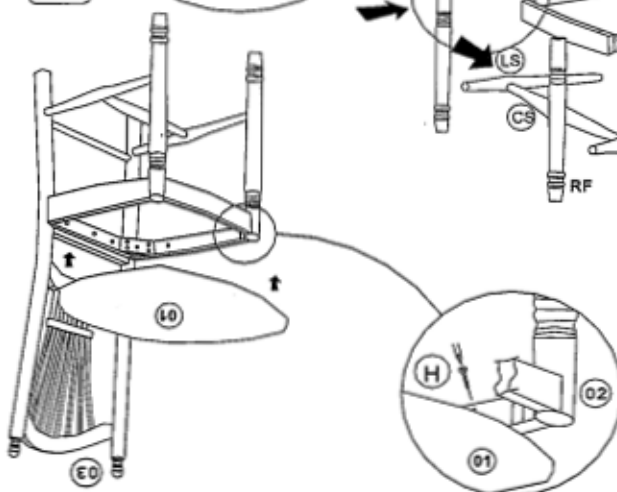
Step 1



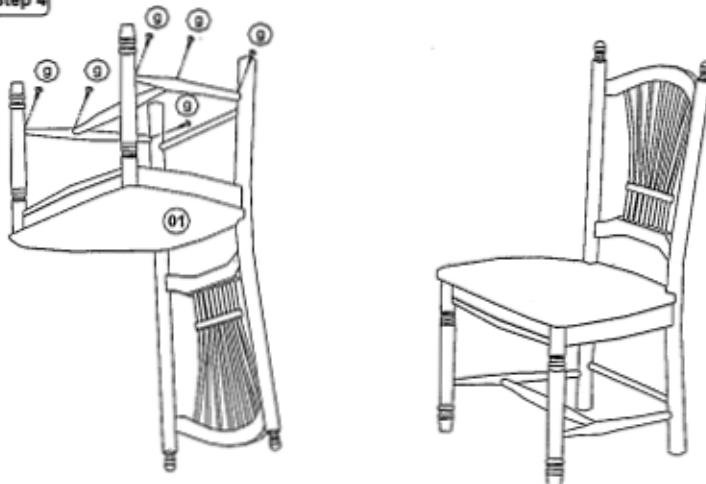
Step 2



Step 3



Step 4



List of Part For 1 Set

Code	Figure	Part	Qty.
01		Seat	1
02		Seat Frame	1
03		Back Frame	1
04		Right Front Leg (RF)	1
05		Left Front Leg (LF)	1
06		Right Stretcher (RS)	1
07		Left Stretcher (LS)	1
08		Center Stretcher (CS)	1

List of hardware For 1 Set

Code	Figure	Hardware	Qty.
a		Hex. Bolt 80mm	2
b		Hex. Bolt 60mm	2
c		Hex. Bolt 40mm	3
d		Flat Washer	7
e		Spring Washer	7
f		Spanner	1
g		PHRS Screw # 8 x 1 1/4"	6
h		PHRS Screw # 8 x 1"	4

Important Notes

- * Keep all hardware parts out of reach of children.
- * Must tighten screws periodically. With use screws will become loose. Check tightness of all screws every 6-8 weeks.
- * Don't attempt to repair or modify parts that are broken or defective. Please contact the store immediately.

Notes

- Place all wooden parts on a clean and smooth surface such as a rug or carpet to avoid the parts from being scratched.
- Check to be sure that you have all parts and hardware.
- Remove all wrapping materials including staples & packing straps before you start to assemble.
- Do not tighten all screws / bolts until all completely assembled.

Care And Maintenance

- The Touch of a soft cloth is all the maintenance your wood pieces will ever need.
- Never use harsh chemicals or abrasive cleaner as they could mark or destroy finish.