



Sunset Trading®

a div of Sunset Furniture Int.LLC

701 E. Ink. Pk. Dr.
Manchester NH 03109
603-845-1315

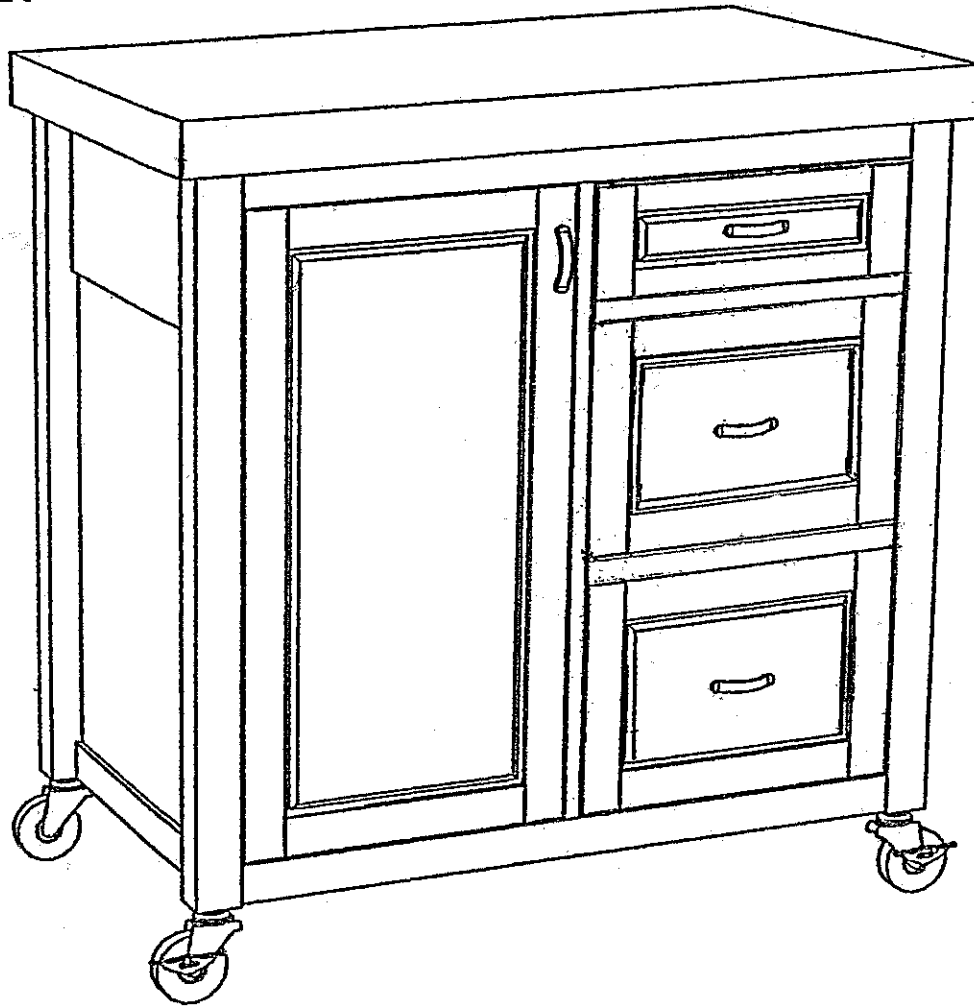
Pls Check to make sure you will have all parts otherwise contact local retailer or Sunset Trading customer service at 877-364-8464

**ASSEMBLY INSTRUCTIONS
KITCHEN CART**

27"W x 36"L x 36"H

Thank you for purchasing this Quality product. It has been engineered for easy assembly yet constructed for durability. Please take the time to read and follow the instructions while assembling.

Model : PK-CRT-04





Sunset Trading®

a div of Sunset Furniture Intl.LLC

701 E. Ink. Pk. Dr.
Manchester NH 03109
603-845-1315

Pls Check to make sure you will have all parts otherwise contact local retailer or Sunset Trading customer service at 877-364-8464

ASSEMBLY INSTRUCTIONS

KITCHEN CART

27"W x 36"L x 36"H

Model : PK-CRT-04

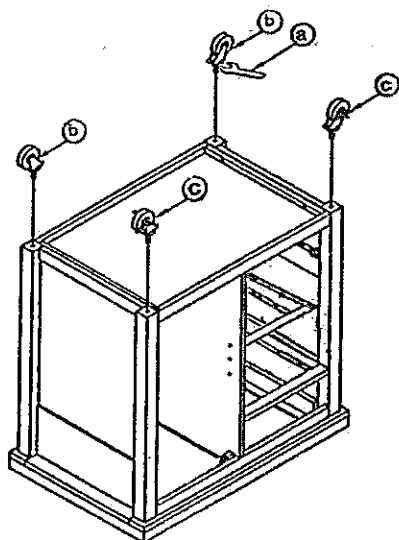
Thank you for purchasing this Quality product. It has been engineered for easy assembly yet constructed for durability. Please take the time to read and follow the instructions while assembling.



HARDWARE LIST

NO	Description	Q'ty	Sketch	NO	Description	Q'ty	Sketch
a	Key wrench	1		d	Adjustable pin	4	 5 mm.
b	Caster	2		e	Bottom shelf	1	
c	Lock caster	2					

1 Attach 2 casters [b] and 2 Lock casters [c] to the legs of item by using key wrench [a].



2 Attach adjustable shelf [e] to the item with 4 adjustable pin [d].

