



**Sunset Trading®**

a div of Sunset Furniture Int.LLC

701 E. Ink. Pk. Dr.  
Manchester NH 03109  
603-845-1315

\*\*Pls Check to make sure you will have all parts otherwise contact local retailer or Sunset Trading customer service at 877-364-8464\*\*

**ASSEMBLY INSTRUCTIONS  
KITCHEN CART**

27"W x 36"L x 36"H

Thank you for purchasing this Quality product. It has been engineered for easy assembly yet constructed for durability. Please take the time to read and follow the instructions while assembling.

**Model : PK-CRT-04**





**Sunset Trading®**

a div of Sunset Furniture Intl.LLC

701 E. Ink. Pk. Dr.  
Manchester NH 03109  
603-845-1315

\*\*Pls Check to make sure you will have all parts otherwise contact local retailer or Sunset Trading customer service at 877-364-8464\*\*

## ASSEMBLY INSTRUCTIONS

KITCHEN CART

27"W x 36"L x 36"H

Model : PK-CRT-04

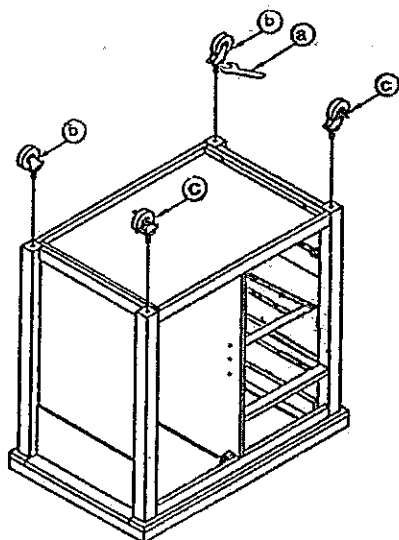
Thank you for purchasing this Quality product. It has been engineered for easy assembly yet constructed for durability. Please take the time to read and follow the instructions while assembling.



## HARDWARE LIST

NO	Description	Q'ty	Sketch	NO	Description	Q'ty	Sketch
a	Key wrench	1		d	Adjustable pin	4	 5 mm.
b	Caster	2		e	Bottom shelf	1	
c	Lock caster	2					

1 Attach 2 casters [b] and 2 Lock casters [c] to the legs of item by using key wrench [a].



2 Attach adjustable shelf [e] to the item with 4 adjustable pin [d].

