



701 E Industrial PK Dr  
Manchester NH 03109  
877-364-8464

\*\*Pls Check to make sure you have all parts otherwise contact local retailer or Sunset Trading customer service at 877-364-8464\*\*

Thank You for purchasing this Quality product. It has been engineered for easy assembly yet constructed for durability. Please take the time to read and follow the instruction while assembling.

# ASSEMBLY INSTRUCTION

## Drop Leaf Dining Table

32" x 32" x 48"L x (2- 8"Drop Leaf ) x 30"H

Model : TLD-3248 (DSD-0911)

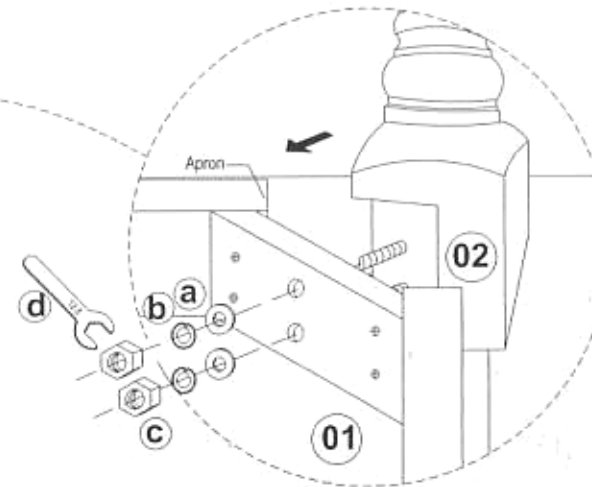
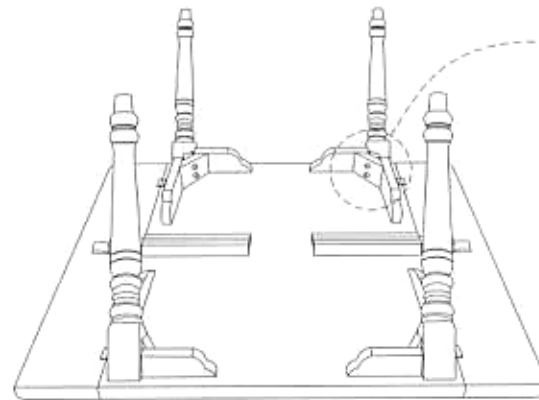
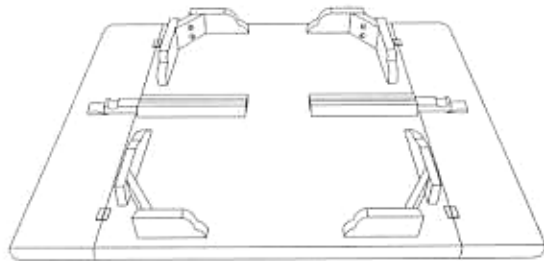
Sunset Trading®

a div of Sunset Furniture Intl.LLC

2 Fix the turned Leg to the corner of the apron with the Flat Washer, Spring Washer And Hex Nut using the Spanner to tighten it.

3 Repeat the same step for the other three Legs .

1 Turn the under side of the Table Top over and place it on a clean and smooth surface such as rug or carpet to avoid the Table Top from being scratched .



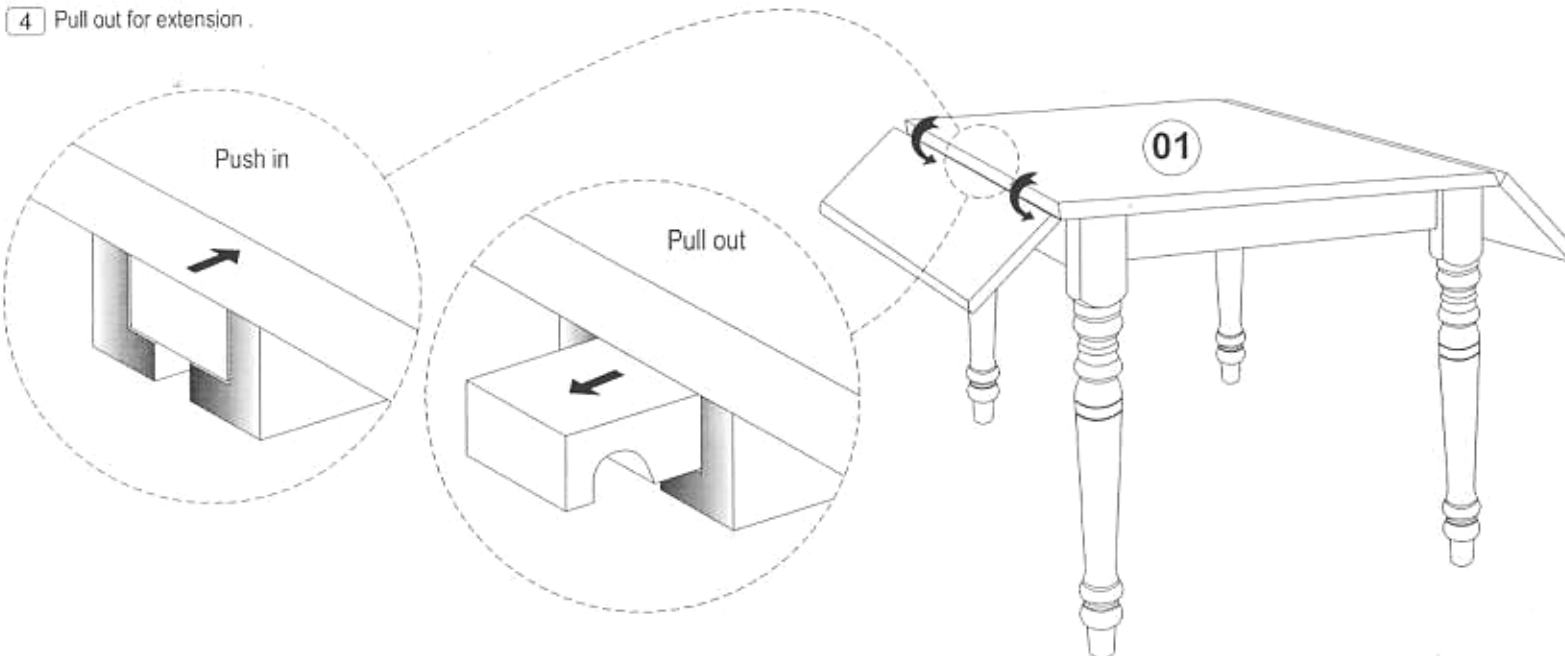
List of Part For 1 Set

01		Table Top	1
02		Table Leg	4

List of hardware For 1 Set

a		Flat Washer	8
b		Spring Washer	8
c		Hex.Com.Bolt	8
d		Spanner	1

4 Pull out for extension .



- ⚠ Important Notes**
- Keep all hardware parts out of reach of children.
  - Must tighten screws periodically. With use screws will become loose. Check tightness of all screws every 6-8 weeks.
  - Don't attempt to repair or modify parts that are broken or defective. Please contact the store immediately.
  - Do not tighten all screw / bolt until all completely assembled



Assembly Complete!

MADE IN MALAYSIA