

Assembly Instructions for SERVER ED-SKSR

Caution: Please read instructions thoroughly before unpacking assembly parts. Sharp, exposed staple tips can cause injury, therefore, for your protection, please remove any exposed staples used in packing.

1. We recommend that you should assemble this product with the assistance of another person; this will make assembly easier, and will help to eliminate damage to the product or injury to persons during assembly.
2. Be sure to check all packing materials carefully for small parts that may have come loose inside the carton during shipment.
3. Please do not over tighten screws or bolts.
4. Please put all parts on a non-abrasive floor before assembly, and follow the assembly steps to assemble your newly purchased product correctly and efficiently.

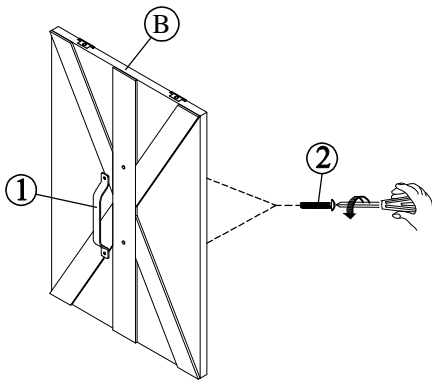
PART LIST FOR SERVER

No.	PART DESC.	CODE.	Q'TY
A	SERVER		1
B	SERVER - SLIDING DOOR	PDSK100SVSLD	2
C	SERVER - CENTER SUPPORT LEG W/ LEVELER	PDSK100SVSPL	1

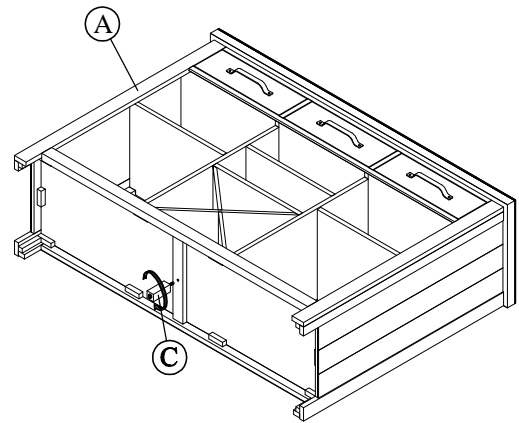
HARDWARE LIST PACKED INSIDE BOX

No.	HARDWARE DESC	CODE.	Q'TY
1	 Door Handle	PDSK100SVHW	2
2	 Bolt 5/32" x30mm		4
3	 Tipping Restraint	PDMN300ATKT	1 set

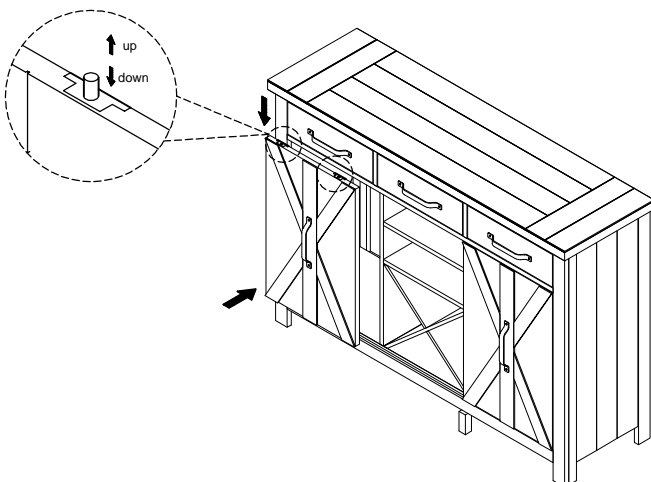
STEP:1



STEP:2



STEP:3



STEP:4

