

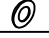




Assembly Instructions for DINING TABLE ED-SK100

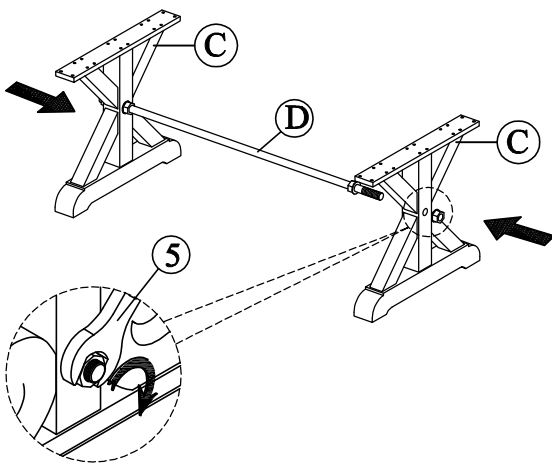
Caution: Please read instructions thoroughly before unpacking assembly parts. Sharp, exposed staple tips can cause injury, therefore, for your protection, please remove any exposed staples used in packing.

1. We recommend that you should assemble this product with the assistance of another person; this will make assembly easier, and will help to eliminate damage to the product or injury to persons during assembly.
2. Be sure to check all packing materials carefully for small parts that may have come loose inside the carton during shipment.
3. Please do not over tighten screws or bolts.
4. Please put all parts on a non-abrasive floor before assembly, and follow the assembly steps to assemble your newly purchased product correctly and efficiently.

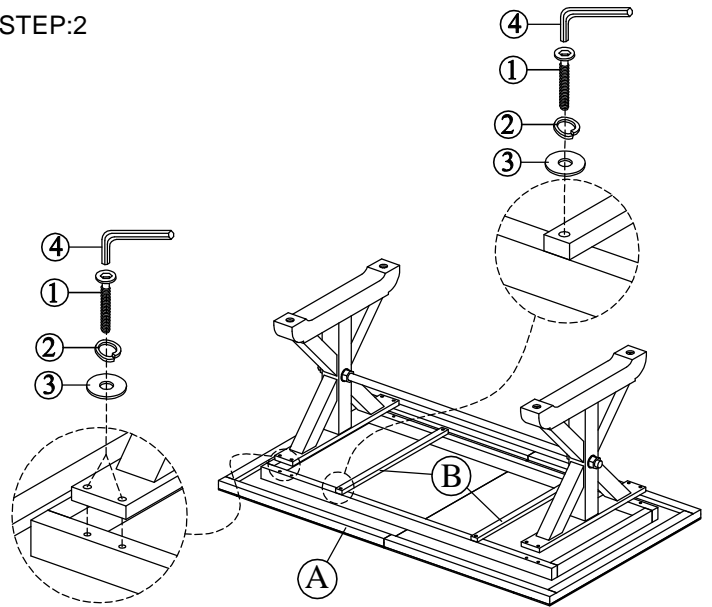
PART LIST FOR TABLE			
No.	PART DESC.	CODE.	Q'TY
A	Dining Rectangular Table Top		1
B	Dining Rectangular Table Top - Leaf Support Rail	PDSK100RKDTLEAF	2
C	Dining Rectangular Table Base - Leg Frame	PDSK100RKDBLEG	2
D	Dining Rectangular Table Base - Metal Stretcher W/Nut	PDSK100RKDBMSTR	1

HARDWARE LIST PACKED INSIDE BOX			
No.	HARDWARE DESC	CODE.	Q'TY
1	 Allen Bolt (5/16" x 45mm)	PDSK100RKDTHW	12
2	 Spring washer (5/16")		12
3	 Flat washer (5/16")		12
4	 Allen key M4		1
5	 Wrench		1

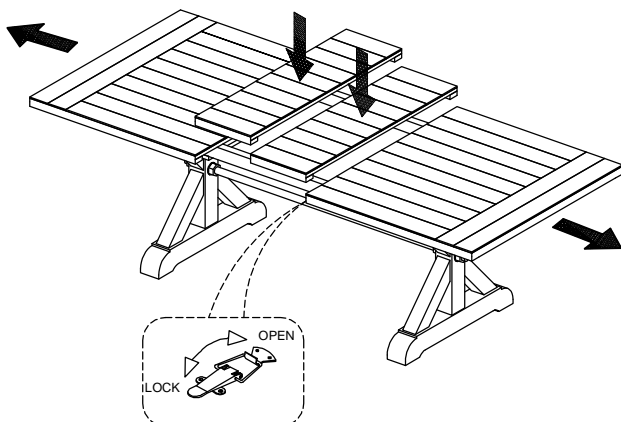
STEP:1



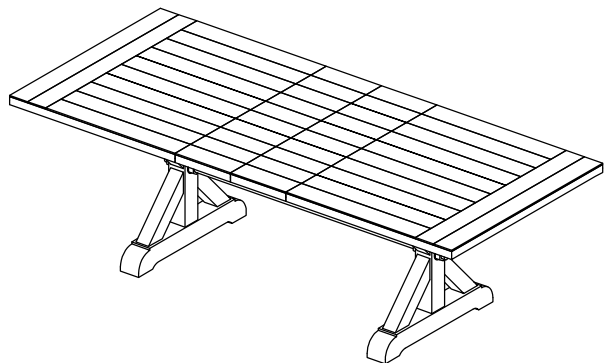
STEP:2



STEP:3

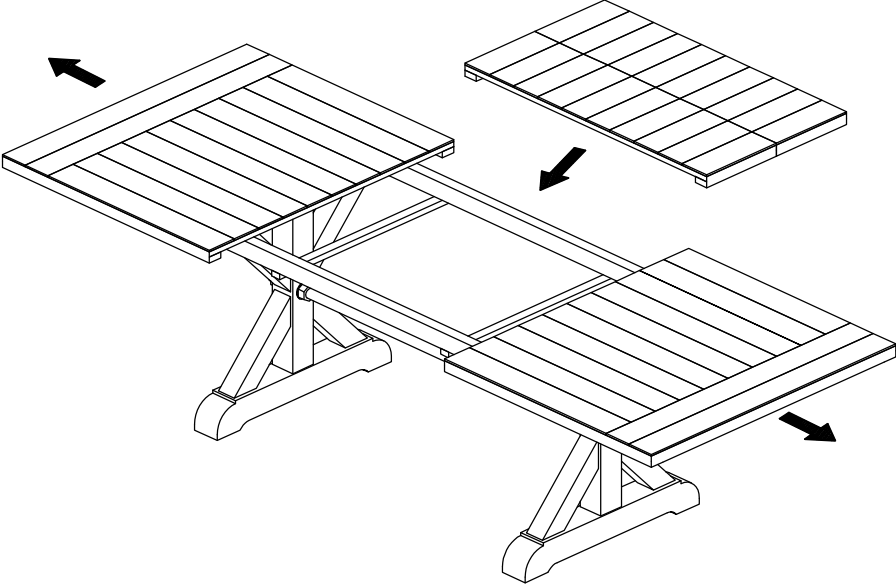


STEP:4

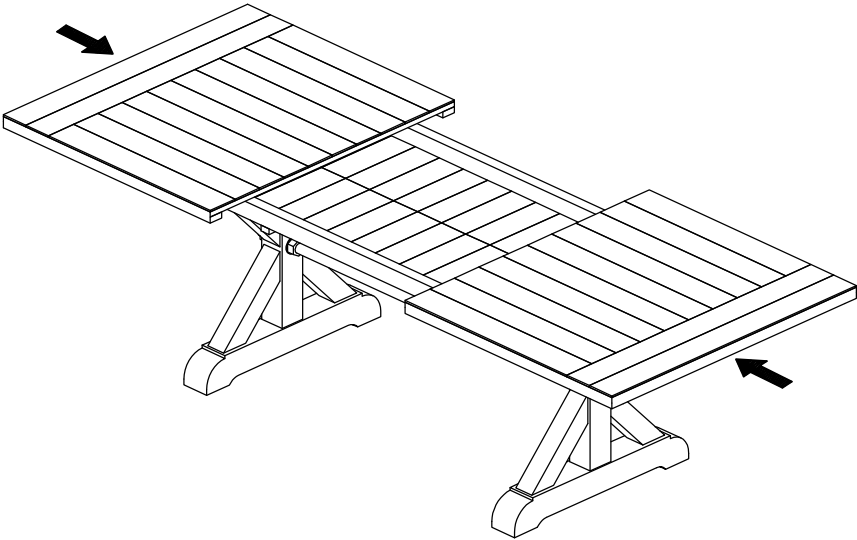


Assembly Instructions for
DINING TABLE
ED-SK100

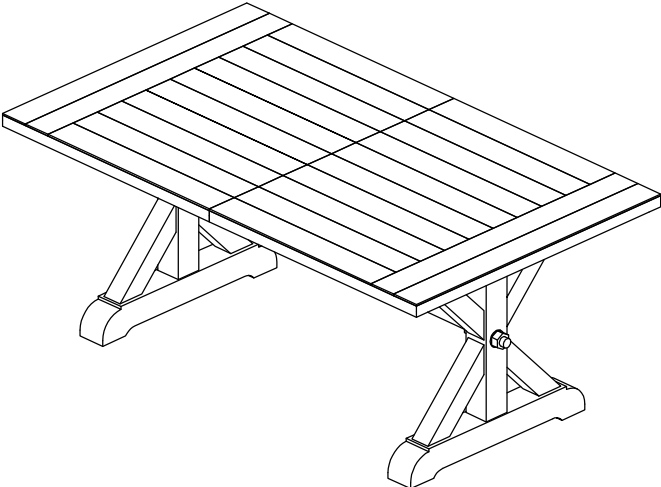
STEP:5



STEP:6



COMPLETED

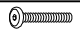


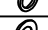
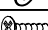


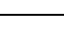


Assembly Instructions for DINING VERTICAL SLAT BACK SIDE CHAIR ED-SK170-2

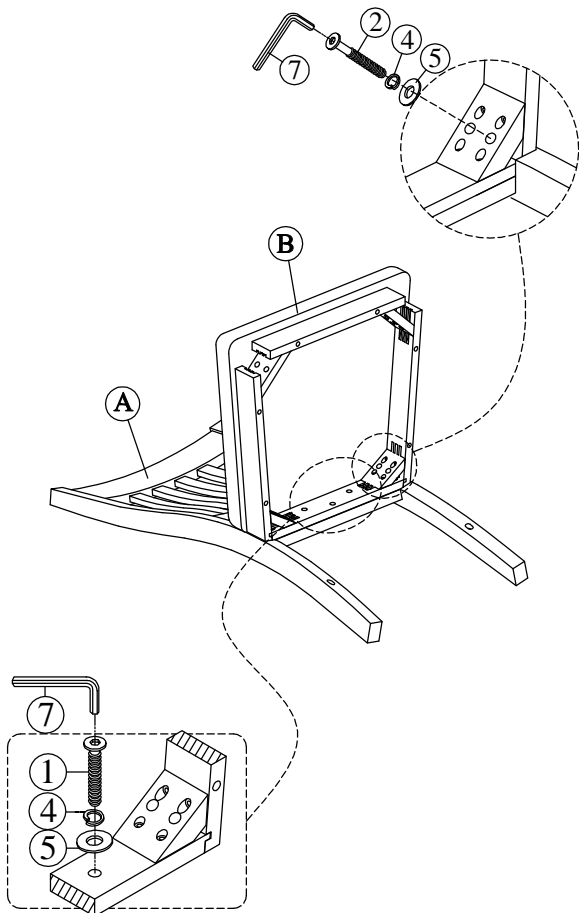
Caution: Please read instructions thoroughly before unpacking assembly parts. Sharp, exposed staple tips can cause injury, therefore, for your protection, please remove any exposed staples used in packing.

1. We recommend that you should assemble this product with the assistance of another person; this will make assembly easier, and will help to eliminate damage to the product or injury to persons during assembly.
2. Be sure to check all packing materials carefully for small parts that may have come loose inside the carton during shipment.
3. Please do not over tighten screws or bolts.
4. Please put all parts on a non-abrasive floor before assembly, and follow the assembly steps to assemble your newly purchased product correctly and efficiently.

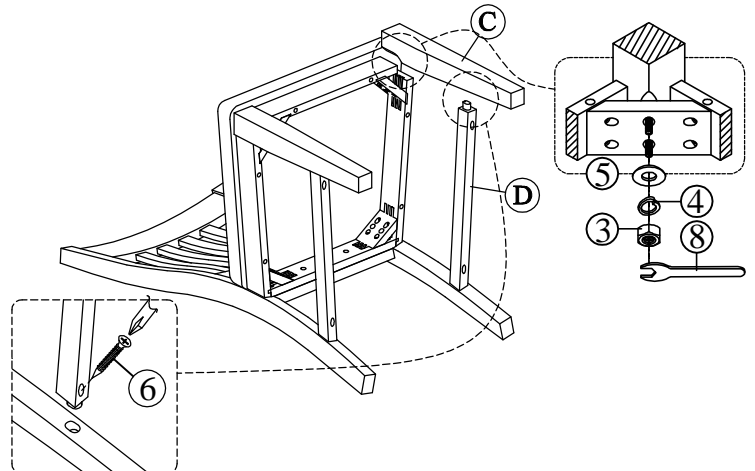
PART LIST FOR CHAIR			
No.	PART DESC.	CODE.	Q'TY
A	Dining Side Chair - Back Frame	PDSK370SCVBBFR	1
B	Dining Side Chair - Seat Frame With Cushion	PDSK370SCVBSEA	1
C	Dining Side Chair - Left / Right Front Leg Set	PDSK370SCVBLEG	2
D	Dining Side Chair - Left / Right Side Stretcher	PDSK370SCVBSTR	2

HARDWARE LIST PACKED INSIDE BOX			
No.	HARDWARE DESC	CODE.	Q'TY
1	 Allen Bolt (1/4" x 40mm)	PDSK370SCVBHW	3
2	 Allen Bolt (1/4" x 75mm)		4
3	 Hex Nut (5/16")		4
4	 Spring washer (5/16")		11
5	 Flat washer (5/16")		11
6	 Screw (M4 x 38mm)		4
7	 Allen key M4		1
8	 WRENCH 5/16"		1

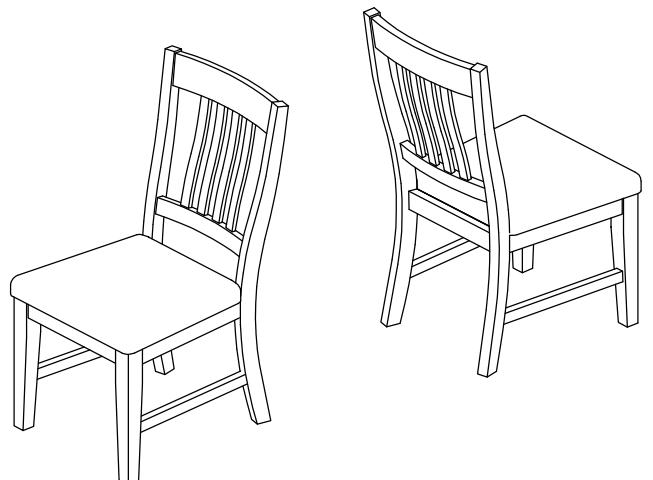
STEP:1



STEP:2



COMPLETED



Assembly Instructions for SERVER ED-SKSR

Caution: Please read instructions thoroughly before unpacking assembly parts. Sharp, exposed staple tips can cause injury, therefore, for your protection, please remove any exposed staples used in packing.

1. We recommend that you should assemble this product with the assistance of another person; this will make assembly easier, and will help to eliminate damage to the product or injury to persons during assembly.
2. Be sure to check all packing materials carefully for small parts that may have come loose inside the carton during shipment.
3. Please do not over tighten screws or bolts.
4. Please put all parts on a non-abrasive floor before assembly, and follow the assembly steps to assemble your newly purchased product correctly and efficiently.

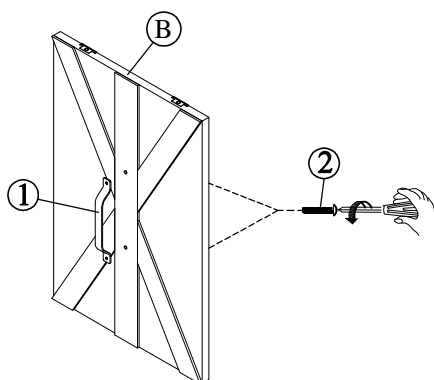
PART LIST FOR SERVER

No.	PART DESC.	CODE.	Q'TY
A	SERVER		1
B	SERVER - SLIDING DOOR	PDSK100SVSLD	2
C	SERVER - CENTER SUPPORT LEG W/ LEVELER	PDSK100SVSPL	1

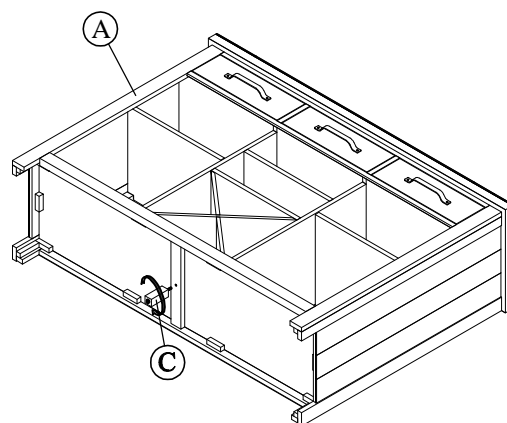
HARDWARE LIST PACKED INSIDE BOX

No.	HARDWARE DESC	CODE.	Q'TY
1	 Door Handle	PDSK100SVHW	2
2	 Bolt 5/32" x30mm		4
3	 Tipping Restraint	PDMN300ATKT	1 set

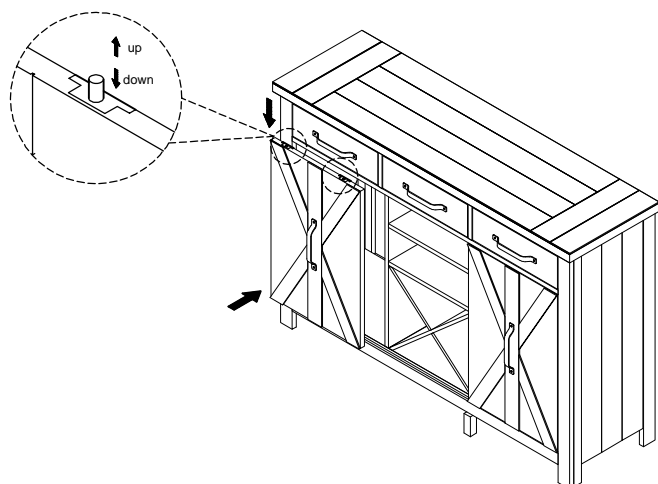
STEP:1



STEP:2



STEP:3



STEP:4

