



701 E Industrial PK Dr  
Manchester NH 03109  
877-364-8464

\*\*Pls Check to make sure you have all parts otherwise contact local retailer or Sunset Trading customer service at 877-364-8464"

Thank You for purchasing this Quality product. It has been engineered for easy assembly yet constructed for durability. Please take the time to read and follow the instruction while assembling.

## ASSEMBLY INSTRUCTION

Round Drof Leaf Dining & Pub Table

Ø 42" x ( 2-9" Drop Leaf ) x 30" & 36" H

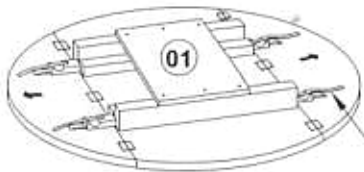
Model : DLU-TPD-4242-B (TSD-0915)

Model : DLU-TPD-4242-CB (PTSD-0915)

### Sunset Trading®

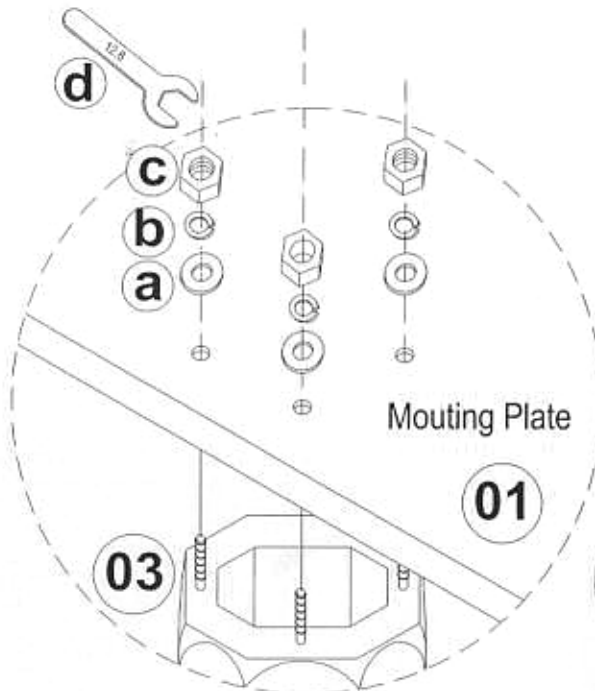
a div of Sunset Furniture Intl.LLC

- 1 Turn the under side of the Table Top over and place it on a clean and smooth surface such as rug or carpet to avoid the Table Top from being scratched .



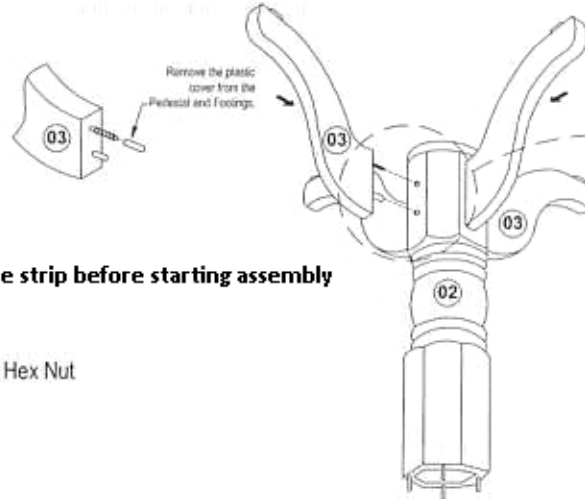
Remove strip before starting assembly

- 4 Fix the Pedestal with Flat Washer, Spring Washer & Hex Nut using the Spanner to tighten it.

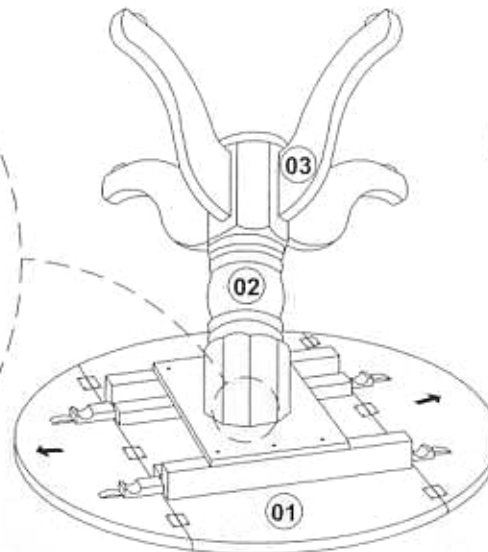
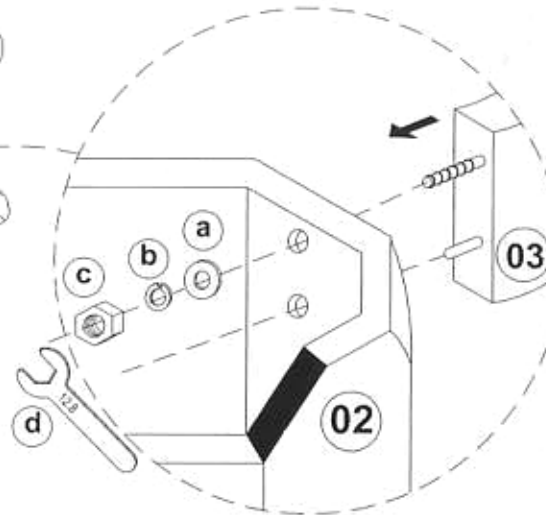


Mounting Plate

- 2 Fix the Footing to the Pedestal with the Flat Washer, Spring Washer And Hex Nut using the Spanner to tighten it.



- 3 Repeat the same step for the other three Footing .



Assembly Completed !!

#### List of Part For 1 Set

|    |  |                        |   |
|----|--|------------------------|---|
| 01 |  | Table Top              | 1 |
| 02 |  | Pedestal               | 1 |
| 03 |  | Table Leg With Leveler | 4 |

#### List of hardware For 1 Set

|   |  |                            |   |
|---|--|----------------------------|---|
| a |  | Flat Washer<br>3/8" x 22mm | 8 |
| b |  | Spring Washer<br>3/8"      | 8 |
| c |  | Hexagon Nut<br>3/8" x 7mm  | 8 |
| d |  | Spanner<br>12.8mm          | 1 |

#### ⚠ Important Notes

- Keep all hardware parts out of reach of children.
- Must tighten screws periodically. With use screws will become loose. Check tightness of all screws every 6-8 weeks.
- Don't attempt to repair or modify parts that are broken or defective. Please contact the store immediately.
- Do not tighten all screw / bolt until all completely assembled

MADE IN MALAYSIA