



701 E Industrial PK Dr  
Manchester NH 03109  
877-364-8464

\*\*Pls Check to make sure you have all parts otherwise contact local retailer or Sunset Trading customer service at 877-364-8464"

Thank You for purchasing this Quality product. It has been engineered for easy assembly yet constructed for durability. Please take the time to read and follow the instruction while assembling.

# ASSEMBLY INSTRUCTION

Extension Drop Leaf Dining Table

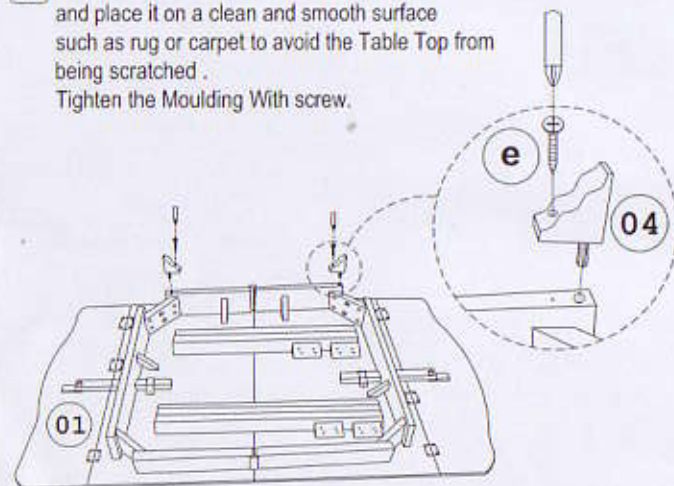
34" x 34" x (1- 18" Leaf ) x 52"L x (2-10" Leaf ) x 72" x 30"H

Model : TDX-3472 (DSED-0913)

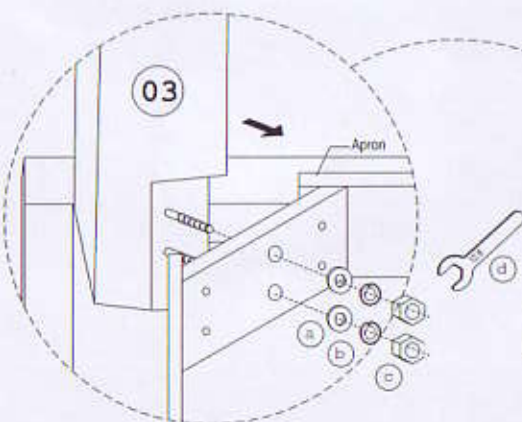
## Sunset Trading®

a div of Sunset Furniture Intl.LLC

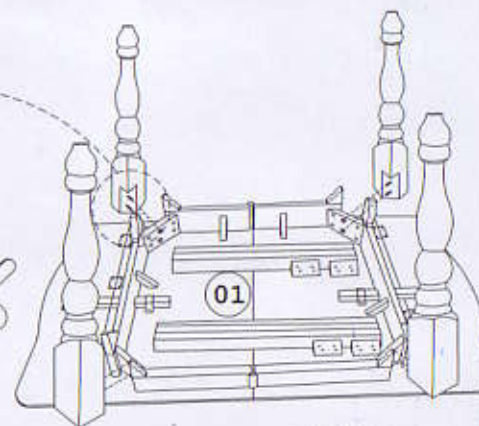
- 1 Turn the under side of the Table Top over and place it on a clean and smooth surface such as rug or carpet to avoid the Table Top from being scratched .  
Tighten the Moulding With screw.



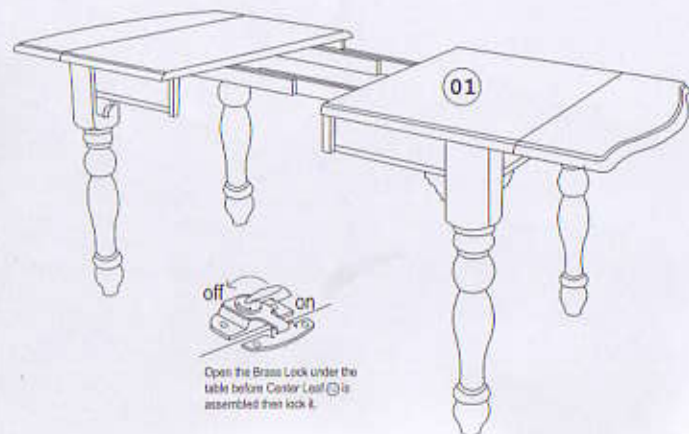
- 2 Fix the turned Leg to the corner of the apron with the Flat Washer, Spring Washer And Hex Nut using the Spanner to tighten it.



- 3 Repeat the same step for the other three Legs .

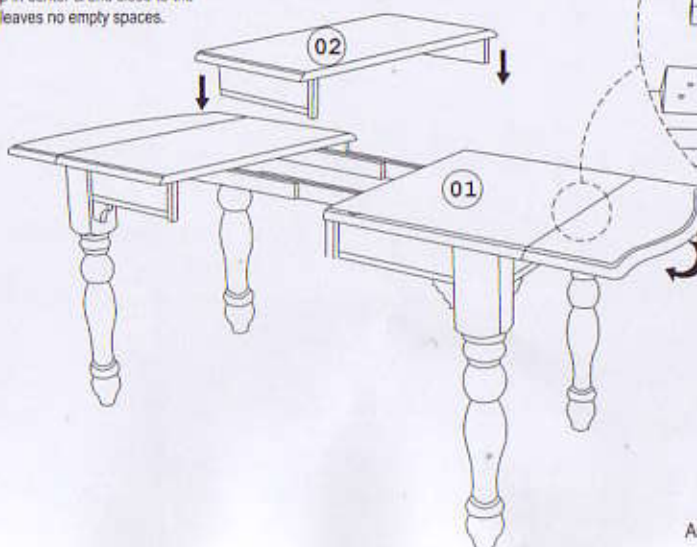


- 4 Turn the assembled Table over carefully, pull the Table Top to both side.



Open the Brass Lock under the table before Center Leaf is assembled then lock it.

- 5 Put the Center Top in center & end close to the Table Leaf until it leaves no empty spaces.



### List of Part

01		Table Top	1
02		Center Leaf	1
03		Table Leg	4
04		Moulding	8

### List of hardware

a		Flat Washer	8
b		Spring Washer	8
c		Hexagon Nut	8
d		Spanner	1
e		PHRS Screw # 8 x 1"	8

### ⚠ Important Notes

- Keep all hardware parts out of reach of children.
- Must tighten screws periodically. With use screws will become loose. Check tightness of all screws every 6-8 weeks.
- Don't attempt to repair or modify parts that are broken or defective. Please contact the store immediately.
- Do not tighten all screw / bolt until all completely assembled.

Assembly Completed !!

MADE IN MALAYSIA