



701 E Industrial PK Dr
Manchester NH 03109
877-364-8464

**Pls Check to make sure you have all parts otherwise contact local retailer or Sunset Trading customer service at 877-364-8464"

Thank You for purchasing this Quality product. It has been engineered for easy assembly yet constructed for durability. Please take the time to read and follow the instruction while assembling.

ASSEMBLY INSTRUCTION

Extension Drop Leaf Dining Table

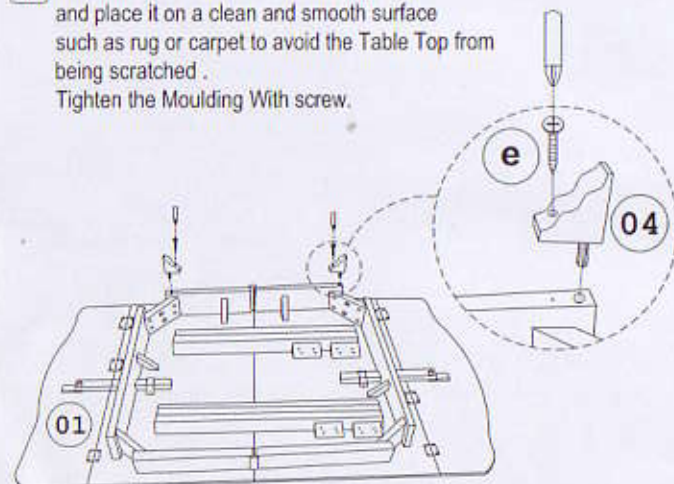
34" x 34" x (1- 18" Leaf) x 52"L x (2-10" Leaf) x 72" x 30"H

Model : TDX-3472 (DSED-0913)

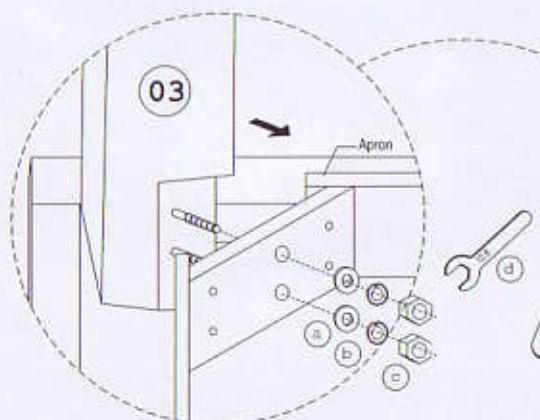
Sunset Trading®

a div of Sunset Furniture Intl.LLC

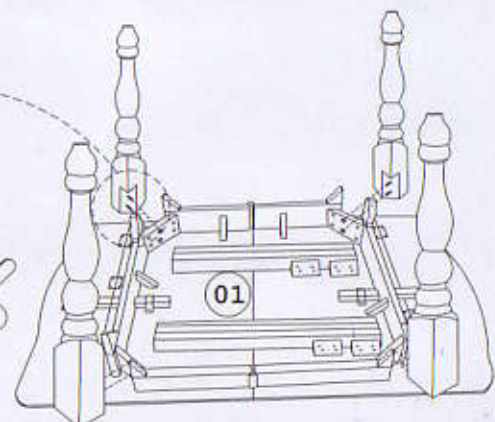
- 1 Turn the under side of the Table Top over and place it on a clean and smooth surface such as rug or carpet to avoid the Table Top from being scratched .
Tighten the Moulding With screw.



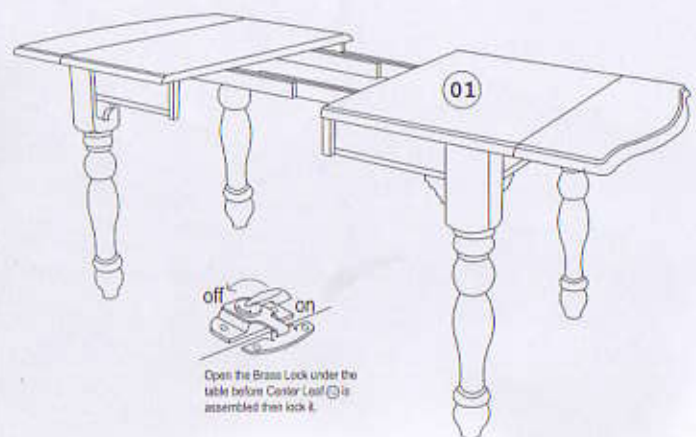
- 2 Fix the turned Leg to the corner of the apron with the Flat Washer, Spring Washer And Hex Nut using the Spanner to tighten it.



- 3 Repeat the same step for the other three Legs .

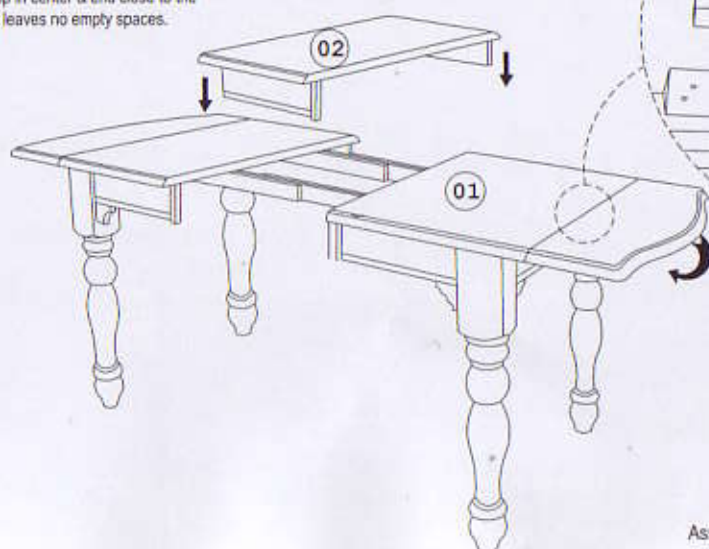


- 4 Turn the assembled Table over carefully, pull the Table Top to both side.



off on
Open the Brass Lock under the table before Center Leaf is assembled then lock it.

- 5 Put the Center Top in center & end close to the Table Leaf until it leaves no empty spaces.



List of Part

| | | | |
|----|--|-------------|---|
| 01 | | Table Top | 1 |
| 02 | | Center Leaf | 1 |
| 03 | | Table Leg | 4 |
| 04 | | Moulding | 8 |

List of hardware

| | | | |
|---|--|---------------------|---|
| a | | Flat Washer | 8 |
| b | | Spring Washer | 8 |
| c | | Hexagon Nut | 8 |
| d | | Spanner | 1 |
| e | | PHRS Screw # 8 x 1" | 8 |

Important Notes

- Keep all hardware parts out of reach of children.
- Must tighten screws periodically. With use screws will become loose. Check tightness of all screws every 6-8 weeks.
- Don't attempt to repair or modify parts that are broken or defective. Please contact the store immediately.
- Do not tighten all screw / bolt until all completely assembled

Assembly Completed !!

MADE IN MALAYSIA