



701 E Industrial PK Dr  
Manchester NH 03109  
877-364-8464

\*\*Pls Check to make sure you have all parts otherwise contact local retailer or Sunset Trading customer service at 877-364-8464"

Thank You for purchasing this Quality product. It has been engineered for easy assembly yet constructed for durability. Please take the time to read and follow the instruction while assembling.

# ASSEMBLY INSTRUCTION

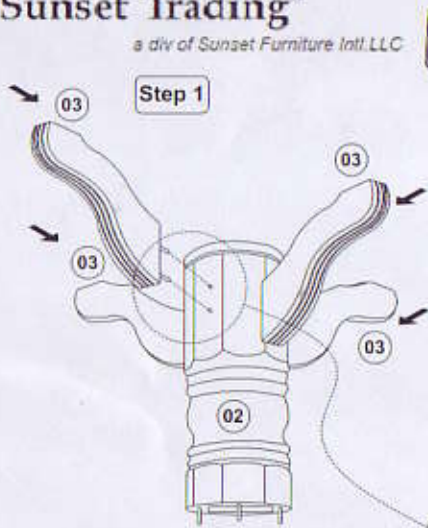
## OVAL BUTTERFLY TABLE

Size : 48"W x 48" x 66"L x 30"HT

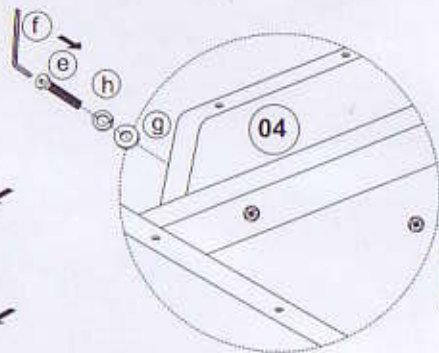
Model :DLU-TBX-4866 (TSEB-0803)

Sunset Trading®

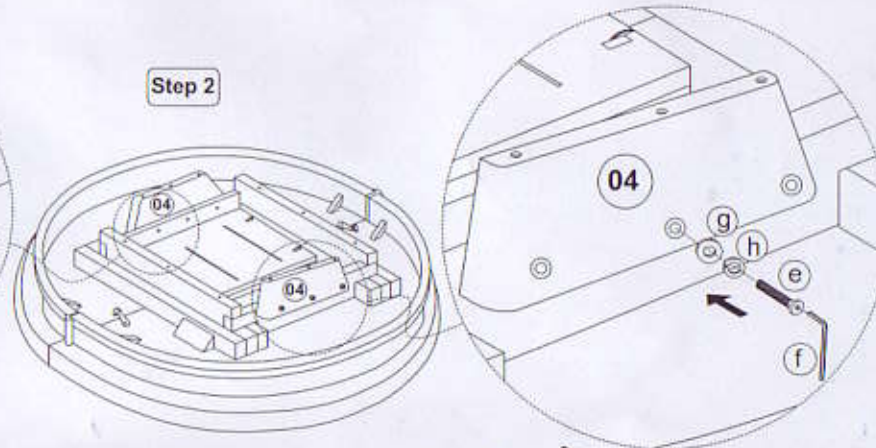
a div of Sunset Furniture Intl.LLC



Step 1



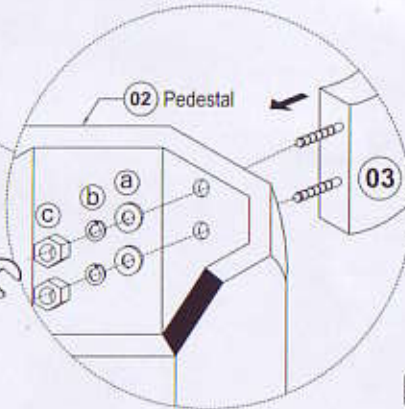
Step 2



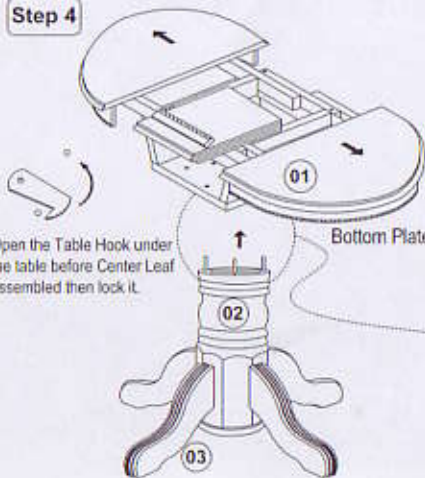
Step 3



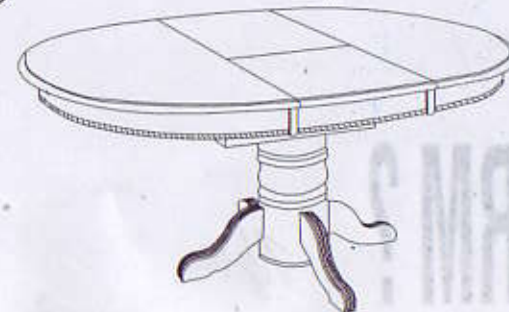
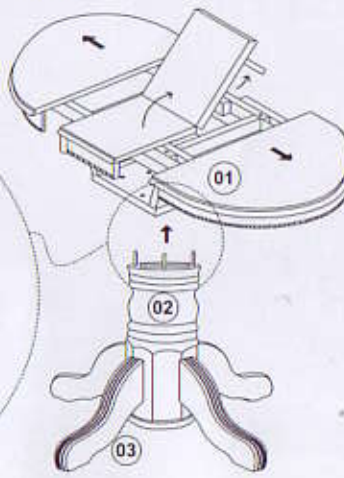
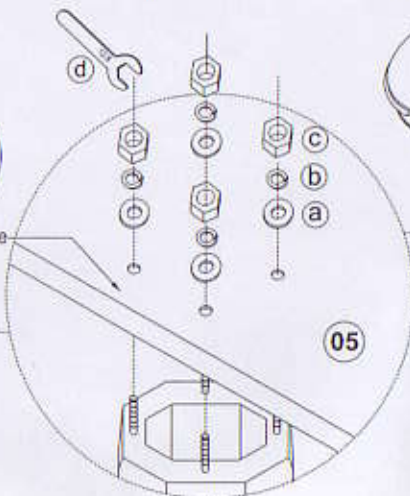
Remove the plastic cover from the Pedestal and Footings.



Step 4



Step 5



### List of Part For 1Set

|    |  |                 |   |
|----|--|-----------------|---|
| 01 |  | Table Top       | 1 |
| 02 |  | Pedestal        | 1 |
| 03 |  | Leg             | 4 |
| 04 |  | Supporting Rail | 2 |
| 05 |  | Mounting Plate  | 1 |

### List of hardware For 1 Set

|   |  |                             |    |
|---|--|-----------------------------|----|
| a |  | Flat Washer<br>3/16" x 22mm | 12 |
| b |  | Spring Washer<br>3/16"      | 12 |
| c |  | Hexagon Nut                 | 12 |
| d |  | Spanner                     | 1  |
| e |  | J/CBC Bolt<br>M6 x 45mm     | 12 |
| f |  | Allen Key<br>M4             | 1  |
| g |  | Flat Washer<br>1/4" x 13mm  | 6  |
| h |  | Spring Washer<br>1/4"       | 12 |
| i |  | Flat Washer<br>1/4" x 18mm  | 6  |

### ⚠ Important Notes

- Keep all hardware parts out of reach of children.
- Must tighten screws periodically. With use screws will become loose. Check tightness of all screws every 6-8 weeks.
- Don't attempt to repair or modify parts that are broken or defective. Please contact the store immediately.
- Do not tighten all screw / bolt until all completely assembled.



701 E Industrial PK Dr  
 Manchester NH 03109  
 877-364-8464  
 www.sunsettrading.com  
 info@sunsettrading.com

\*\*Pls Check to make sure you have all parts otherwise contact local retailer or Sunset Trading customer service at 877-364-8464"

Thank You for purchasing this Quality product. It has been engineered for easy assembly yet constructed for durability. Please take the time to read and follow the instruction while assembling.

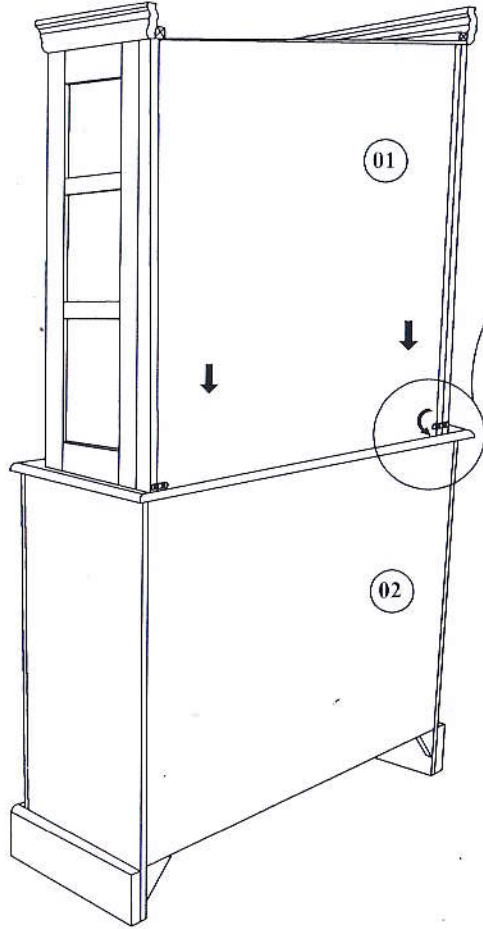
# ASSEMBLY INSTRUCTION

## HUTCH & BUFFET

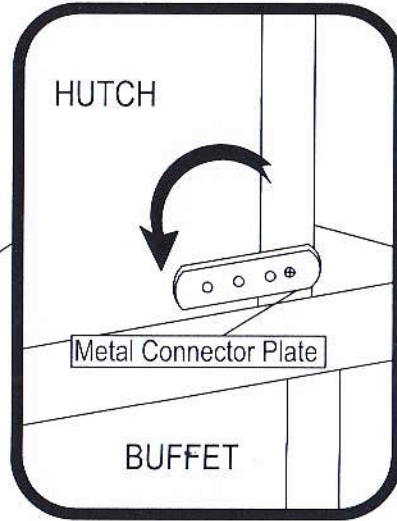
Model : DLU-22-HUT & BUF (HB-017)

**Sunset Trading™**  
 a div of Sunset Furniture Intl LLC

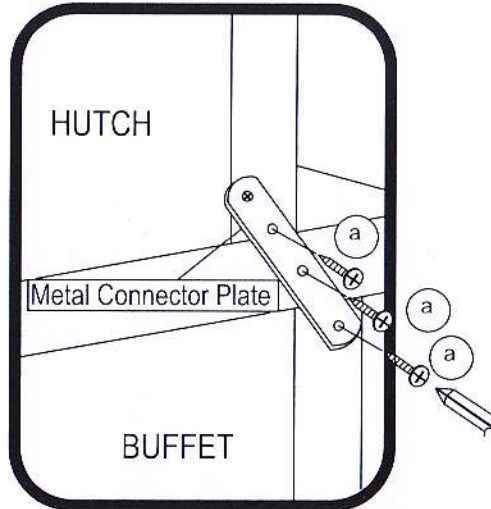
### METAL CONNECTOR FITTING INSTRUCTION



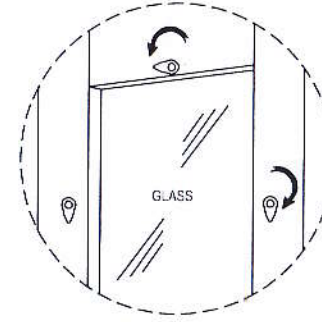
#### STEP 1



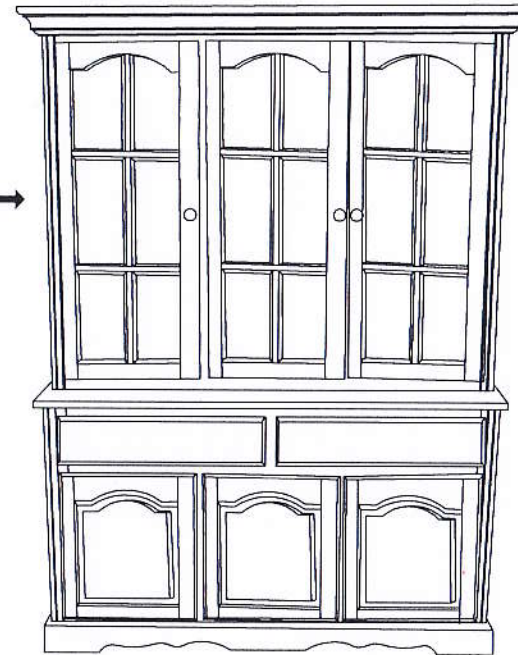
#### STEP 2



\* GLASSES NEED TO BE INSTALLED .



GLASS PACK (SHELF)



GLASS PACK (DOOR & SIDE) →

#### List of Part For 1 Set

|    |  |        |   |
|----|--|--------|---|
| 01 |  | HUTCH  | 1 |
| 02 |  | BUFFET | 1 |

#### List of hardware For 1 Set

|   |  |                             |   |
|---|--|-----------------------------|---|
| a |  | CSKCB SCREW<br>M4 x 20mm    | 6 |
| b |  | GLASS PACK<br>(SHELF)       | 6 |
| c |  | GLASS PACK<br>(DOOR & SIDE) | 9 |

#### ⚠ Important Notes

- \* Keep all hardware parts out of reach of children.
- \* Must tighten screws periodically. With use screws will become loose. Check tightness of all screws every 6-8 weeks.
- \* Don't attempt to repair or modify parts that are broken or defective. Please contact the store immediately.
- \* Do not tighten all screw / bolt until all completely assembled

