



701 E Industrial PK Dr
Manchester NH 03109
877-364-8464
www.sunsettrading.com
info@sunsettrading.com

Sunset TradingSM

a div of Sunset Furniture Intl.LLC

**Pls Check to make sure you have all parts otherwise contact local retailer or Sunset Trading customer service at 877-364-8464"

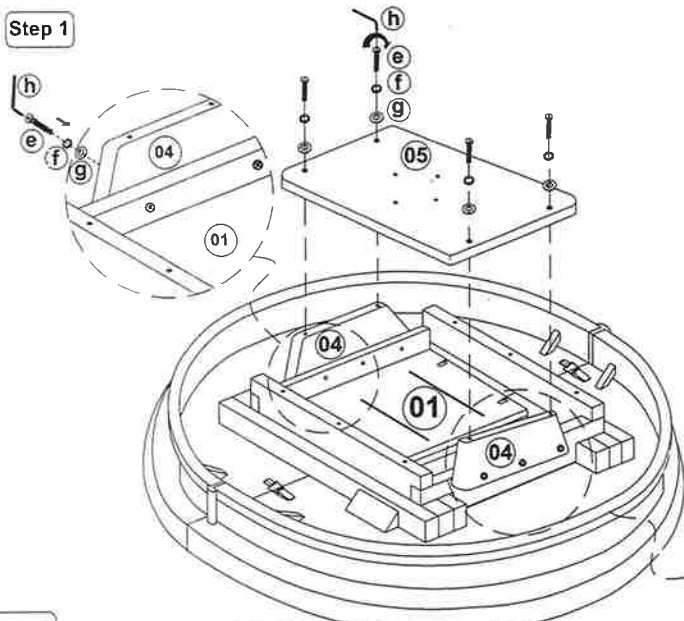
Thank You for purchasing this Quality product. It has been engineered for easy assembly yet constructed for durability. Please take the time to read and follow the instruction while assembling.

ASSEMBLY INSTRUCTION

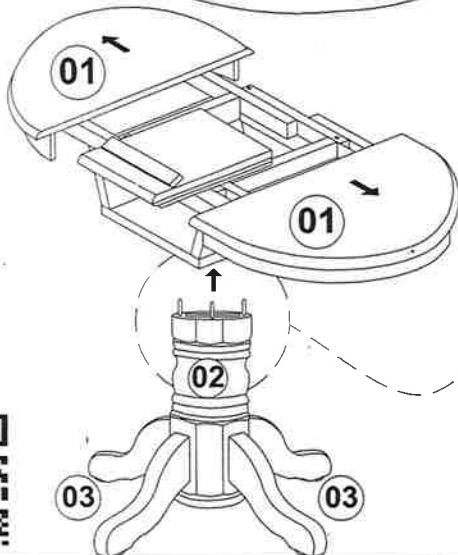
Pedestal Cafe Base Tab
42" x 54"L x 66"L x 36"

Model : DLU-TBX-4266-CB (PTSEB-10)

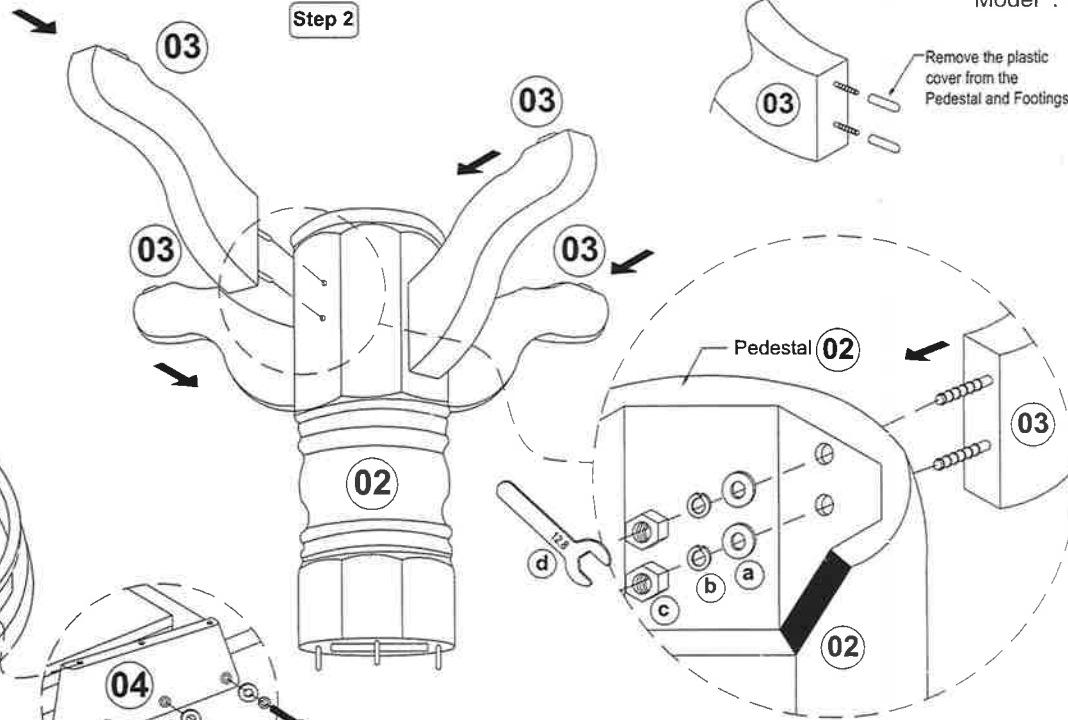
Step 1



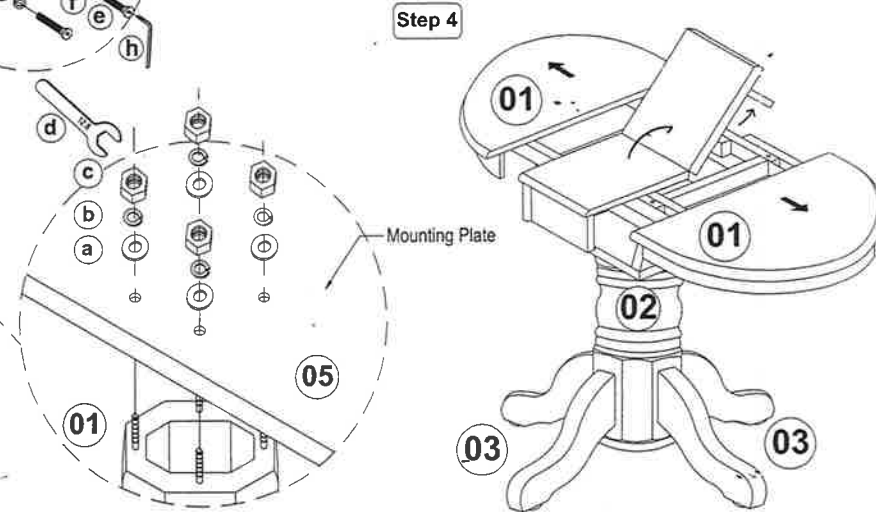
Step 3



Step 2



Step 4



List of Part For 1 Set

| | | |
|----|--|------------------------|
| 01 | | Table Top |
| 02 | | Pedestal |
| 03 | | Table Leg With Leveler |
| 04 | | Supporting Rail |
| 05 | | Mounting Plate |

List of hardware For 1 Set

| | | | |
|---|--|-----------------------------|---|
| a | | Flat Washer 5/16" x 22mm | 1 |
| b | | Spring Washer 5/16" | 1 |
| c | | Hexagon Nut 5/16" x 7mm | 1 |
| d | | Spanner 12.8mm | 1 |
| e | | JCBC Bolt M6 x 40mm | 1 |
| f | | Spring Washer 1/4" | 1 |
| g | | Flat Washer 1/4 x 13mm | 1 |
| h | | Allen Key M4 | 1 |

Important Notes

- * Keep all hardware parts out of reach of children.
- * Must tighten screws periodically. With use screws will become loose. Check tightness of all screws every 6-8 weeks.
- * Don't attempt to repair or modify part that are broken or defective. Please contact the store immediately.
- * Do not tighten all screw / bolt until all completely assembled



MADE IN MALAYSIA Assembly Completed

