



701 E Industrial PK Dr  
Manchester NH 03109  
877-364-8464  
www.sunsettrading.com  
info@sunsettrading.com

\*\*Pls Check to make sure you have all parts otherwise contact local retailer or Sunset Trading customer service at 877-364-8464"

Thank You for purchasing this Quality product. It has been engineered for easy assembly yet constructed for durability. Please take the time to read and follow the instruction while assembling.

# ASSEMBLY INSTRUCTION

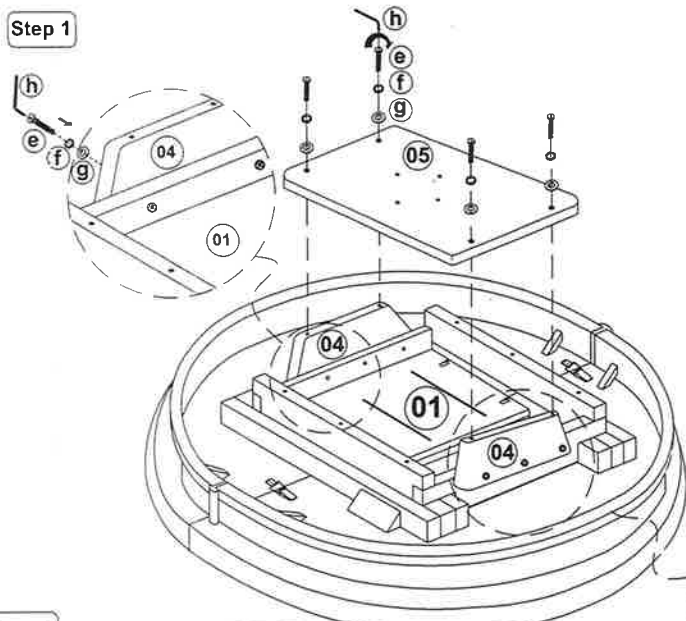
Pedestal Cafe Base Tab  
42" x 54"L x 66"L x 36"

Model : DLU-TBX-4266-CB (PTSEB-10)

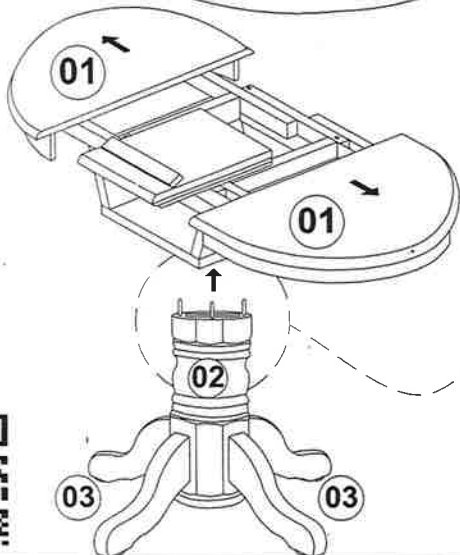
Sunset Trading<sup>SM</sup>

a div of Sunset Furniture Intl.LLC

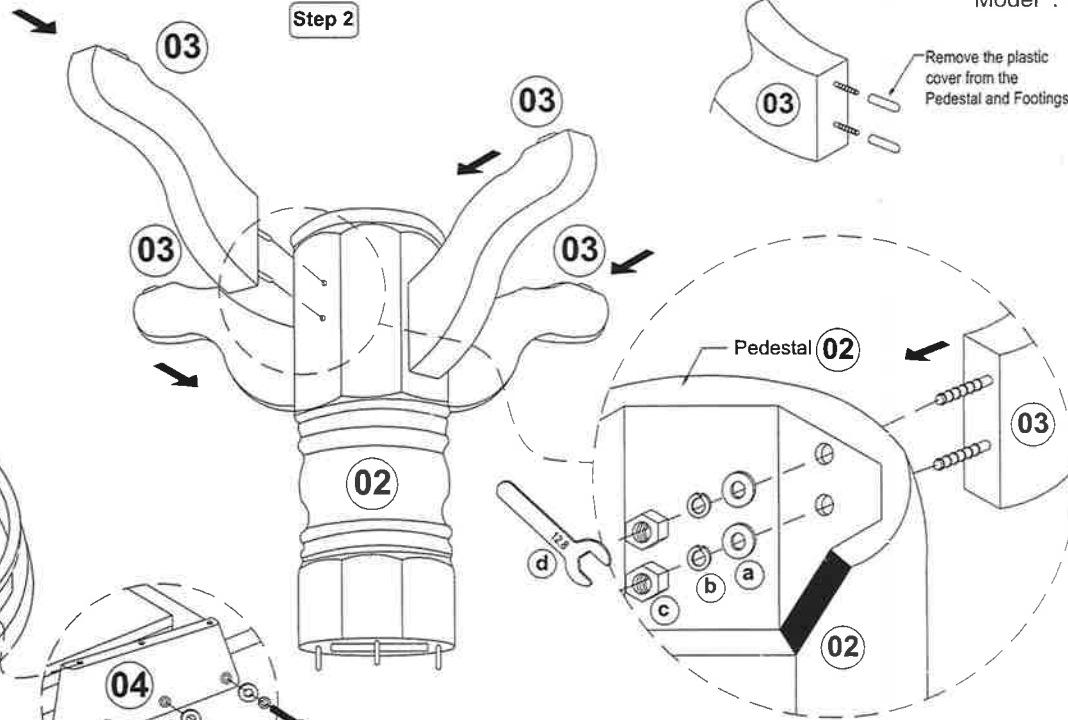
Step 1



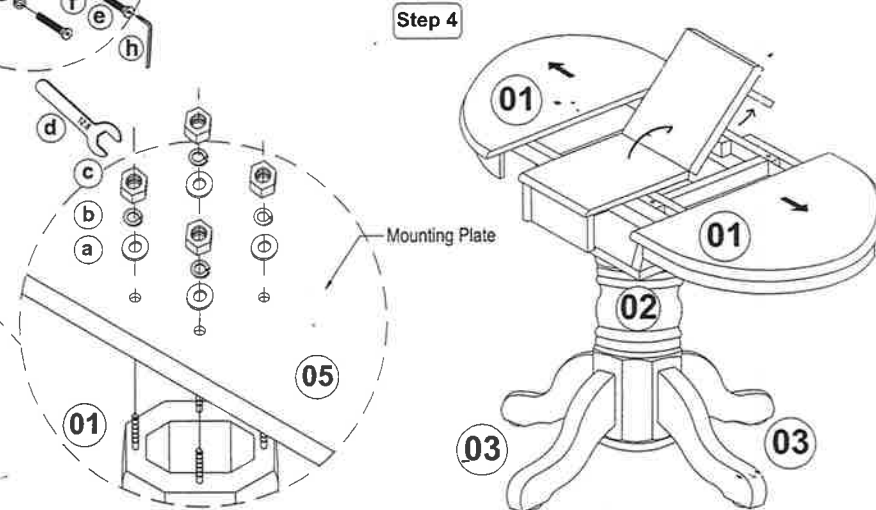
Step 3



Step 2



Step 4



List of Part For 1 Set

01		Table Top
02		Pedestal
03		Table Leg With Leveler
04		Supporting Rail
05		Mounting Plate

List of hardware For 1 Set

a		Flat Washer 5/16" x 22mm	1
b		Spring Washer 5/16"	1
c		Hexagon Nut 5/16" x 7mm	1
d		Spanner 12.8mm	1
e		JCBC Bolt M6 x 40mm	1
f		Spring Washer 1/4"	1
g		Flat Washer 1/4 x 13mm	1
h		Allen Key M4	1

⚠ Important Notes

- \* Keep all hardware parts out of reach of children.
- \* Must tighten screws periodically. With use screws will become loose. Check tightness of all screws every 6-8 weeks.
- \* Don't attempt to repair or modify part that are broken or defective. Please contact the store immediately.
- \* Do not tighten all screw / bolt until all completely assembled



MADE IN MALAYSIA Assembly Completed

