



**Pls Check to make sure you have all parts otherwise contact local retailer or Sunset Trading customer service at 877-364-8464"

Thank You for purchasing this Quality product. It has been engineered for easy assembly yet constructed for durability. Please take the time to read and follow the instructions while assembling. Please be sure to read the Notes section at the bottom of the page before beginning Assembly. Thank You

ASSEMBLY INSTRUCTION

MID CENTURY TABLE

Model : DLU-MC-TL-3660-DW (DWVT1940)

Size : 36" X 60" X 30"H

List of Part For 1 Set

Code	Figure	Part	Qty.
①		Table Top	1
②		Leg	4

List of hardware For 1 Set

Code	Figure	Hardware	Qty.
(a)		Flat Washer $\frac{5}{16}$ " x 22mm	8
(b)		Spring Washer $\frac{5}{16}$ "	8
(c)		Hexagon Nut $\frac{5}{16}$ " x 7mm	8
(d)		Spanner 12.8mm	1

⚠ Important Notes

- * Keep all hardware parts out of reach of children.
- * Must tighten screws periodically. With use screws will become loose. Check tightness of all screws every 6-8 weeks.
- * Don't attempt to repair or modify parts that are broken or defective. Please contact the store immediately.
- * Do not tighten all screw / bolt until all completely assembled

Notes

- * Place all wooden parts on a clean and smooth surface such as a rug or carpet to avoid the parts from being scratched.
- * Check to be sure that you have all parts and hardware.
- * Remove all wrapping materials including staples & packing straps before you start to assemble.

Care And Maintenance

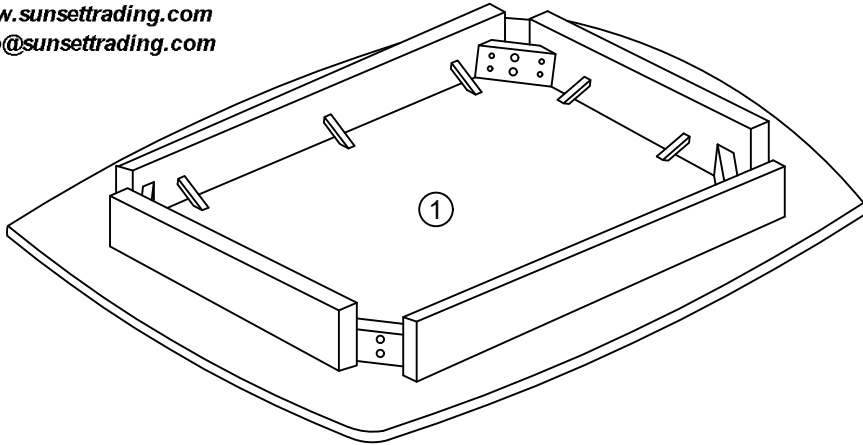
- * Do not put hot pan or hot pot on table top directly and please use isolated pad.
- * The Touch of a soft cloth is all the maintenance your wood pieces will ever need.
- * Never use harsh chemicals or abrasive cleaner as they could mark or destroy finish.

MADE IN MALAYSIA

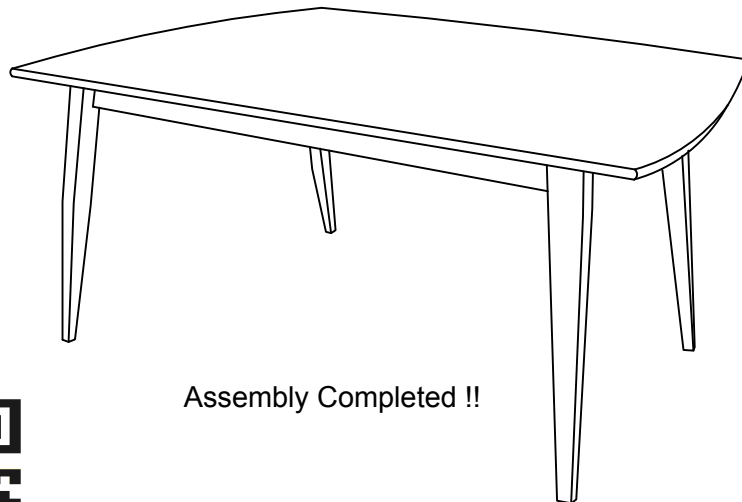
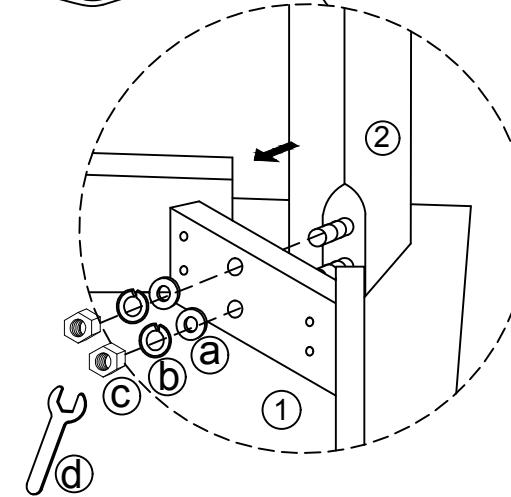
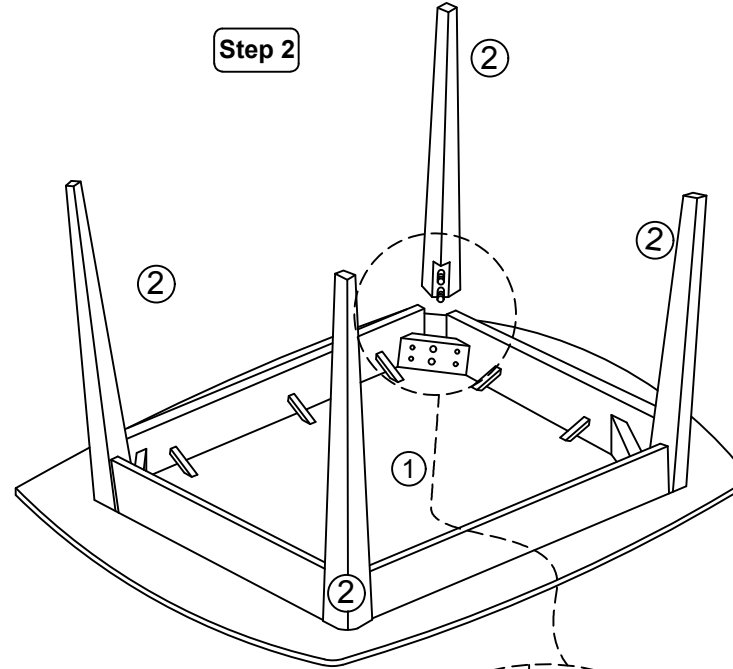
Sunset Trading*
a div of Sunset Furniture Intl.LLC

701 E Industrial PK Dr
Manchester NH 03109
877-364-8464
www.sunsettrading.com
info@sunsettrading.com

Step 1



Step 2



Assembly Completed !!

