



been engineered for easy assembly yet constructed for durability.
Please take the time to read and follow the instruction while assembling.

EASTLAWN PUB STOOLS
18" x 18" x 24"H

Sunset Trading

a div of Sunset Furniture Intl LLC

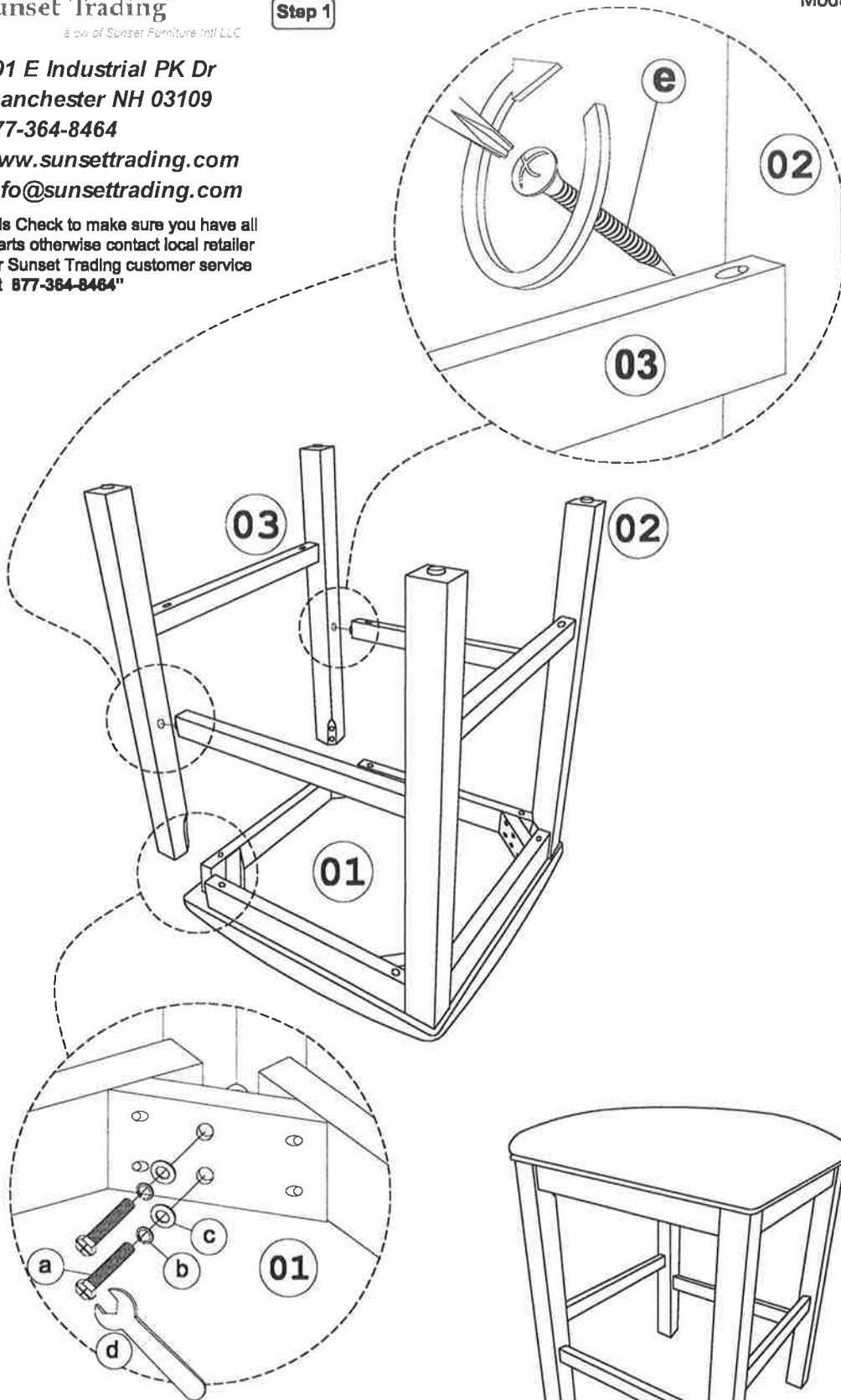
701 E Industrial PK Dr
Manchester NH 03109
877-364-8464

www.sunsettrading.com
info@sunsettrading.com

**Pls Check to make sure you have all parts otherwise contact local retailer or Sunset Trading customer service at 877-364-8464"

Step 1

Model : DLU-EL-B300-AG (CS-1920-RTA)



List of Part For 1 Set

Code	Figure	Part	Qty.
01		Seat	1
02		Leg Frame	1
03		Stretcher	2

List of hardware For 1 Set

Code	Figure	Hardware	Qty.
a		Hex. Bolt M6 x 60mm	8
b		Flat Washer 1/4" x 18mm	8
c		Spring Washer 1/4"	8
d		Spanner 10mm	1
e		PHRS Screw #8 x 1 1/2"	4



Important Notes

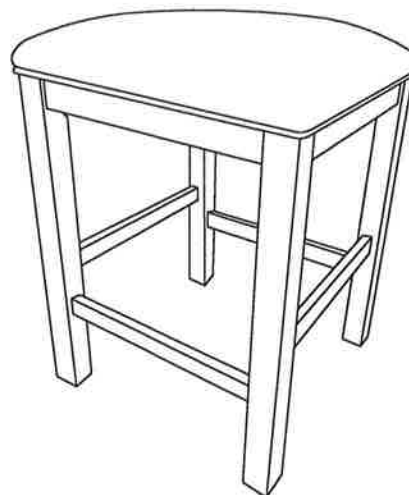
- * Keep all hardware parts out of reach of children.
- * Must tighten screws periodically. With use screws will become loose. Check tightness of all screws every 6-8 weeks.
- * Don't attempt to repair or modify parts that are broken or defective. Please contact the store immediately.
- * Do not tighten all screw / bolt until all completely assembled.

Notes

- * Place all wooden parts on a clean and smooth surface such as a rug or carpet to avoid the parts from being scratched.
- * Check to be sure that you have all parts and hardware.
- * Remove all wrapping materials including staples & packing straps before you start to assemble.
- * Do not tighten all screws / bolts until all completely assembled.

Care And Maintenance

- * The Touch of a soft cloth is all the maintenance your wood pieces will ever need.
- * Never use harsh chemicals or abrasive cleaner as they could mark or destroy finish.



Assembly Completed !!..



Thank You for purchasing this Quality product. It has been engineered for easy assembly yet constructed for durability. Please take the time to read and follow the instructions while assembling. Please be sure to read the Notes section at the bottom of the page before beginning Assembly. Thank You

ASSEMBLY INSTRUCTION

EASTLANE PUB TABLE
Model : PDBVT-1920

Size : 65-1/2" x 18-1/2" x 36-1/2" H
List of Part For 1 Set

01		Table Top	1
02		Right Leg	2
03		Left Leg	2
04		Center stretcher	1
05		Side stretcher	2

List of hardware For 1 Set

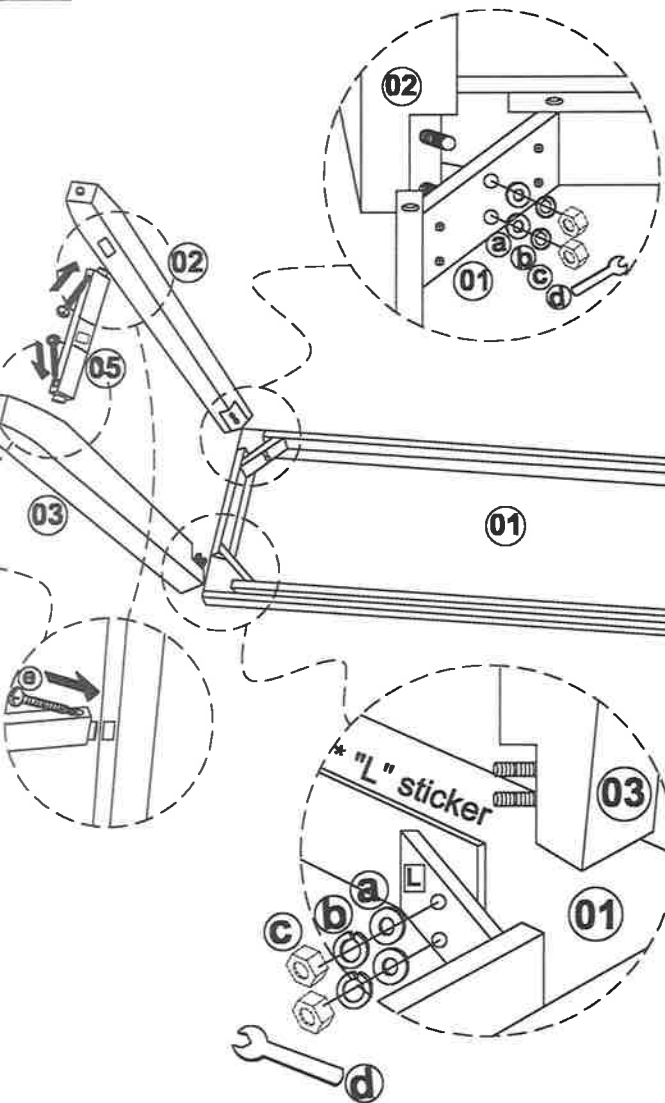
A		Flat Washer 5/16" x 22mm	8
B		Spring Washer 5/16"	8
C		HEX.NUT 5/6" X 7 MM	8
D		Spanner 12.8mm	1
E		PHRS Screw #8 x 1 1/2"	6

- ! Important Notes**
- * Keep all hardware parts out of reach of children.
 - * Must tighten screws periodically. With use screws will become loose. Check tightness of all screws every 6-8 weeks.
 - * Don't attempt to repair or modify parts that are broken or defective. Please contact the store immediately.
 - * Do not tighten all screw / bolt until all completely assembled

- Notes**
- * Place all wooden parts on a clean and smooth surface such as a rug or carpet to avoid the parts from being scratched.
 - * Check to be sure that you have all parts and hardware.
 - * Remove all wrapping materials including staples & packing straps before you start to assemble.

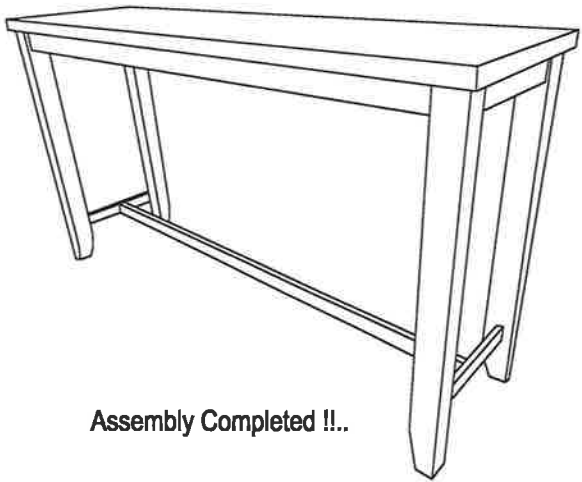
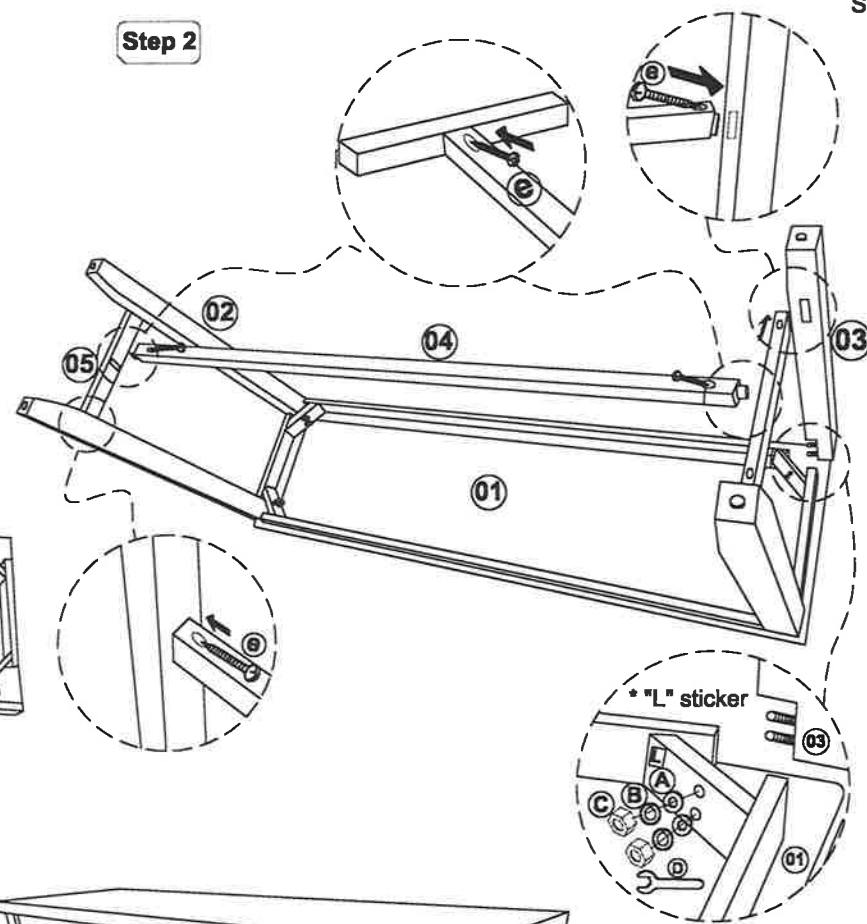
MADE IN MALAYSIA

Step 1



* "L" sticker for Left Leg(03)

Step 2



Assembly Completed !!..