



701 E Industrial PK Dr  
 Manchester NH 03109  
 877-364-8464  
 www.sunsettrading.com  
 - info@sunsettrading.com

\*\*Pls Check to make sure you have all parts otherwise contact local retailer or Sunset Trading customer service at 877-364-8464"

Thank You for purchasing this Quality product. It has been engineered for easy assembly yet constructed for durability. Please take the time to read and follow the instruction while assembling.

# ASSEMBLY INSTRUCTION

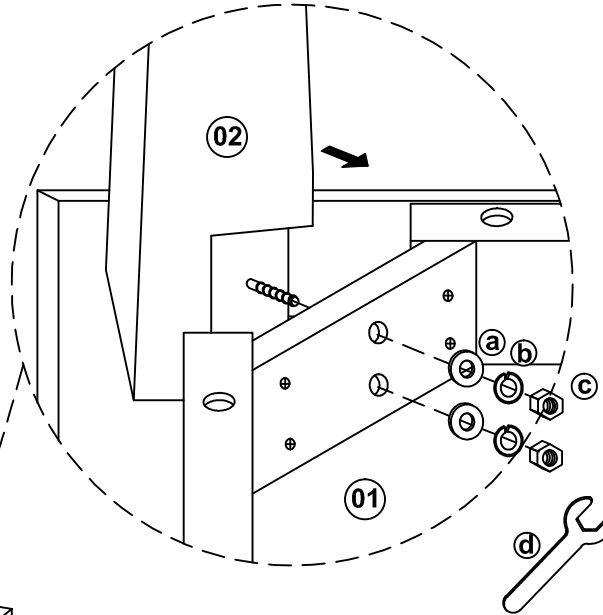
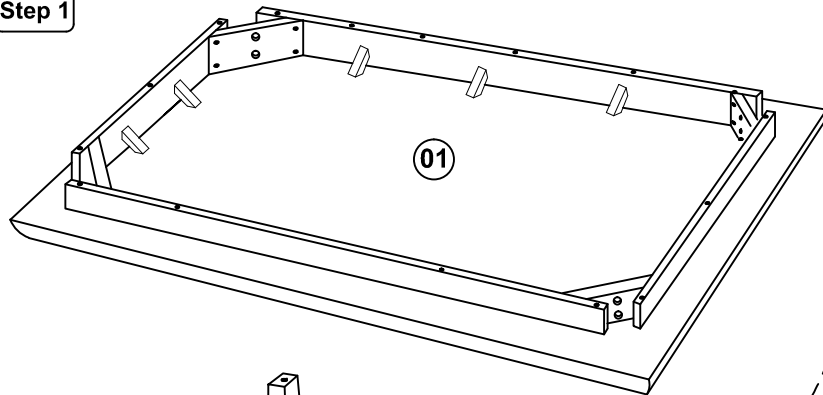
EAST LANE 3660 TABLE

36" x 60" x 30" H

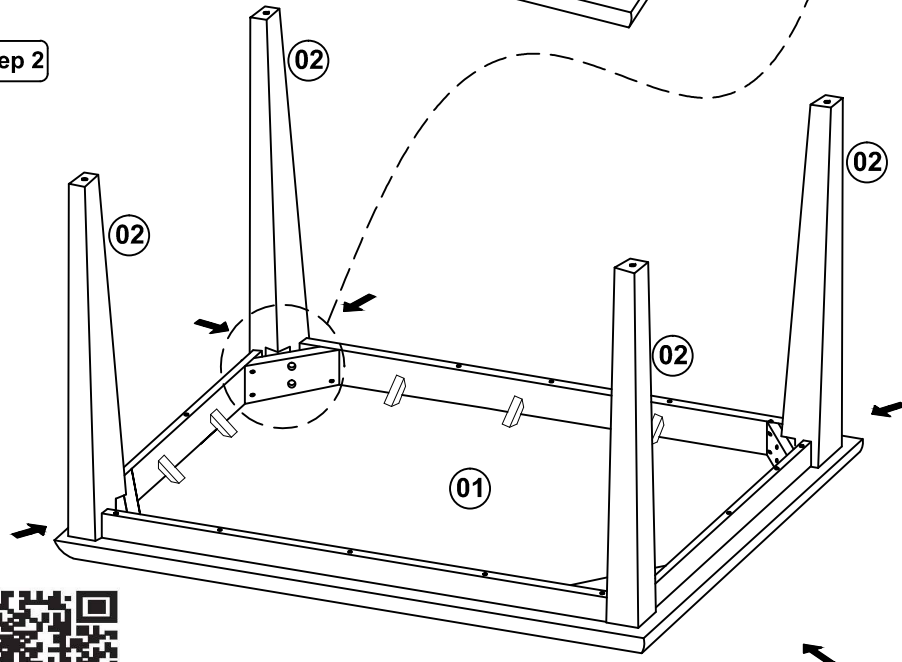
Model : DLU-EL-TL-3660-AG (DST-1331)

**Sunset Trading**<sup>®</sup>  
 a div of Sunset Furniture Intl.LLC

Step 1



Step 2



List of Part For 1 Set

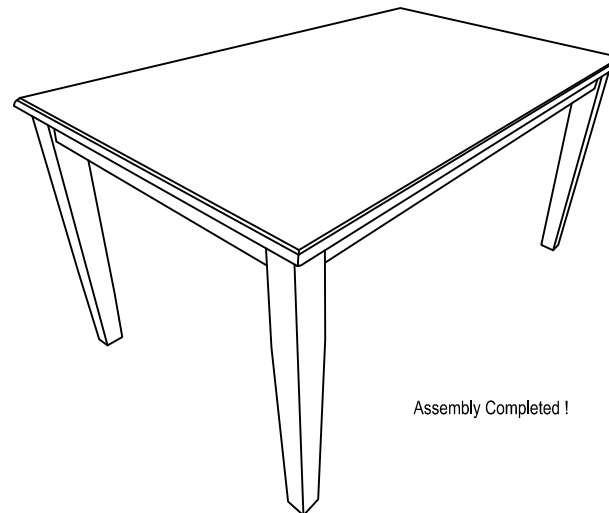
|    |  |           |   |
|----|--|-----------|---|
| 01 |  | Table Top | 1 |
| 02 |  | Table Leg | 4 |

List of hardware For 1 Set

|   |  |                             |   |
|---|--|-----------------------------|---|
| a |  | Flat Washer<br>5/16" x 22mm | 8 |
| b |  | Spring Washer<br>5/16"      | 8 |
| c |  | Hexagon Nut<br>5/16" x 7mm  | 8 |
| d |  | Spanner<br>12.8 mm          | 1 |

Important Notes

- \* Keep all hardware parts out of reach of children.
- \* Must tighten screws periodically. With use screws will become loose. Check tightness of all screws every 6-8 weeks.
- \* Don't attempt to repair or modify parts that are broken or defective. Please contact the store immediately.
- \* Do not tighten all screw / bolt until all completely assembled



Assembly Completed !



MADE IN MALAYSIA



701 E Industrial PK Dr  
 Manchester NH 03109  
 877-364-8464  
 www.sunsettrading.com  
 - info@sunsettrading.com

\*\*Pls Check to make sure you have all parts otherwise contact local retailer or Sunset Trading customer service at 877-364-8464"

Thank You for purchasing this Quality product. It has been engineered for easy assembly yet constructed for durability. Please take the time to read and follow the instruction while assembling.

# ASSEMBLY INSTRUCTION

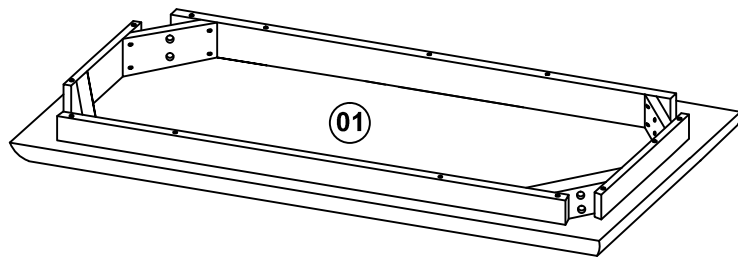
## EAST LANE 42" BENCH WITH HARD SEAT

42" L x 14" W x 18" H

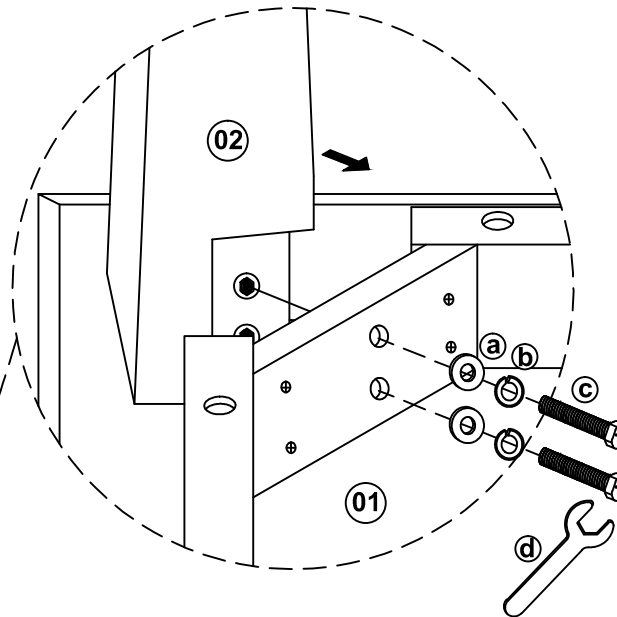
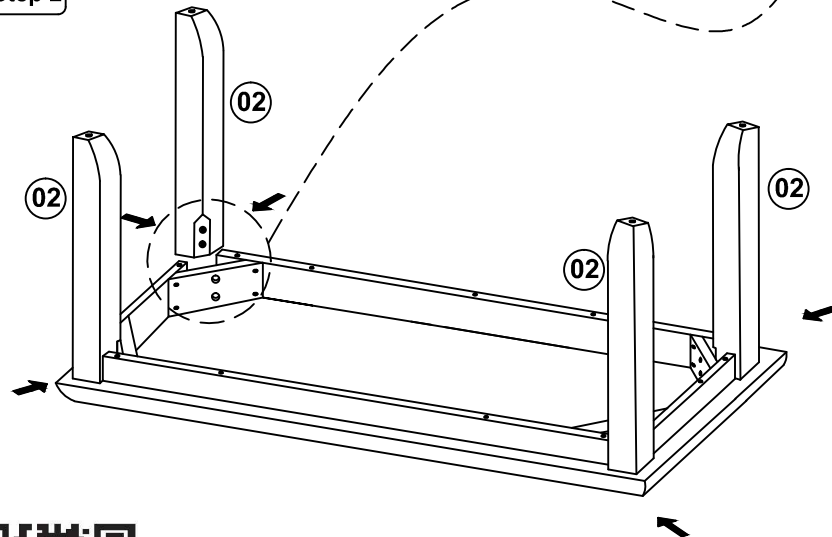
Model : DLU-EL-BN42-AG (CB-1331-RTA )

**Sunset Trading**<sup>®</sup>  
 a div of Sunset Furniture Intl.LLC

**Step 1**



**Step 2**



List of Part For 1 Set

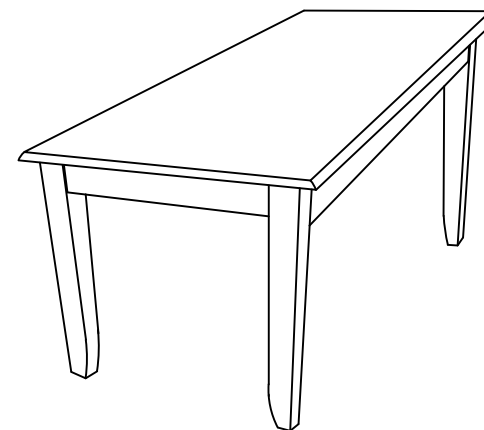
|    |  |           |   |
|----|--|-----------|---|
| 01 |  | Table Top | 1 |
| 02 |  | Table Leg | 4 |

List of hardware For 1 Set

|   |  |                            |   |
|---|--|----------------------------|---|
| a |  | Flat Washer<br>1/4" x 18mm | 8 |
| b |  | Spring Washer<br>1/4"      | 8 |
| c |  | Hex Oval Bolt<br>M6 x 60mm | 8 |
| d |  | Spanner<br>10 mm           | 1 |

Important Notes

- \* Keep all hardware parts out of reach of children.
- \* Must tighten screws periodically. With use screws will become loose. Check tightness of all screws every 6-8 weeks.
- \* Don't attempt to repair or modify parts that are broken or defective. Please contact the store immediately.
- \* Do not tighten all screw / bolt until all completely assembled



Assembly Completed !!..



MADE IN MALAYSIA



Thank You for purchasing this Quality product. It has been engineered for easy assembly yet constructed for durability. Please take the time to read and follow the instruction while assembling.

## ASSEMBLY INSTRUCTION

EAST LANE 2 SLATS CHAIR WITH HARD SEAT

17 3/4" x 21 1/2" x 36"H

**Sunset Trading®**

a div of Sunset Furniture Intl.LLC

701 E Industrial PK Dr  
Manchester NH 03109  
877-364-8464

www.sunsettrading.com  
info@sunsettrading.com

\*\*Pls Check to make sure you have all parts otherwise contact local retailer or Sunset Trading customer service at 877-364-8464"

Step 1

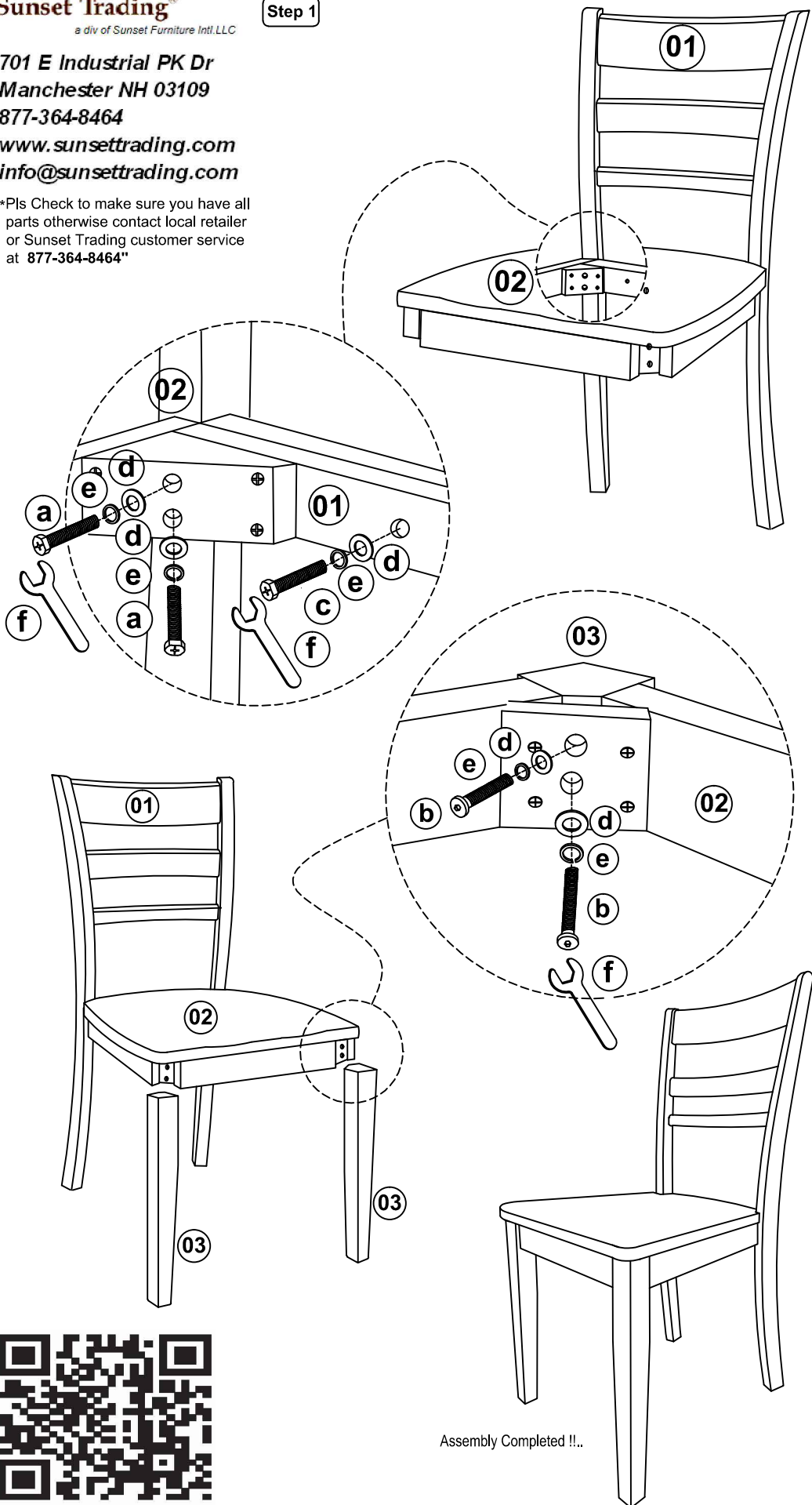
Model : DLU-EL-C200-AG-RTA (C1729-RTA)

### List of Part For 1 Set

| Code | Figure | Part       | Qty. |
|------|--------|------------|------|
| 01   |        | Back Frame | 1    |
| 02   |        | Seat       | 1    |
| 03   |        | Front Leg  | 2    |

### List of hardware For 1 Set

| Code | Figure | Hardware                   | Qty. |
|------|--------|----------------------------|------|
| a    |        | Hex. Bolt<br>M6 x 80mm     | 4    |
| b    |        | Hex. Bolt<br>M6 x 60mm     | 4    |
| c    |        | Hex. Bolt<br>M6 x 40mm     | 2    |
| d    |        | Flat Washer<br>1/4" x 18mm | 10   |
| e    |        | Spring Washer<br>1/4"      | 10   |
| f    |        | Spanner<br>10mm            | 1    |



### ! Important Notes

- \* Keep all hardware parts out of reach of children.
- \* Must tighten screws periodically. With use screws will become loose. Check tightness of all screws every 6-8 weeks.
- \* Don't attempt to repair or modify parts that are broken or defective. Please contact the store immediately.
- \* Do not tighten all screw / bolt until all completely assembled.

### Notes

- \* Place all wooden parts on a clean and smooth surface such as a rug or carpet to avoid the parts from being scratched.
- \* Check to be sure that you have all parts and hardware.
- \* Remove all wrapping materials including staples & packing straps before you start to assemble.
- \* Do not tighten all screws / bolts until all completely assembled.

### Care And Maintenance

- \* The Touch of a soft cloth is all the maintenance your wood pieces will ever need.
- \* Never use harsh chemicals or abrasive cleaner as they could mark or destroy finish.

Assembly Completed !!..

