



701 E Industrial PK Dr
Manchester NH 03109
877-364-8464
www.sunsettrading.com
info@sunsettrading.com

Sunset Trading™

a div of Sunset Furniture Intl.LLC

** Pls Check to make sure you have all parts otherwise contact local retailer or Sunset Trading customer service at 877-364-8464"

Thank You for purchasing this Quality product. It has been engineered for easy assembly yet constructed for durability. Please take the time to read and follow the instruction while assembling.

ASSEMBLY INSTRUCTION

EAST LANE DISPLAY HUTCH BUFFET

Model : DLU-EL-HUT-AG (H 1618)
DLU-EL-BUT-AG (B 1618)

* GLASSES NEED TO BE INSTALLED .

List of Part For 1 Set

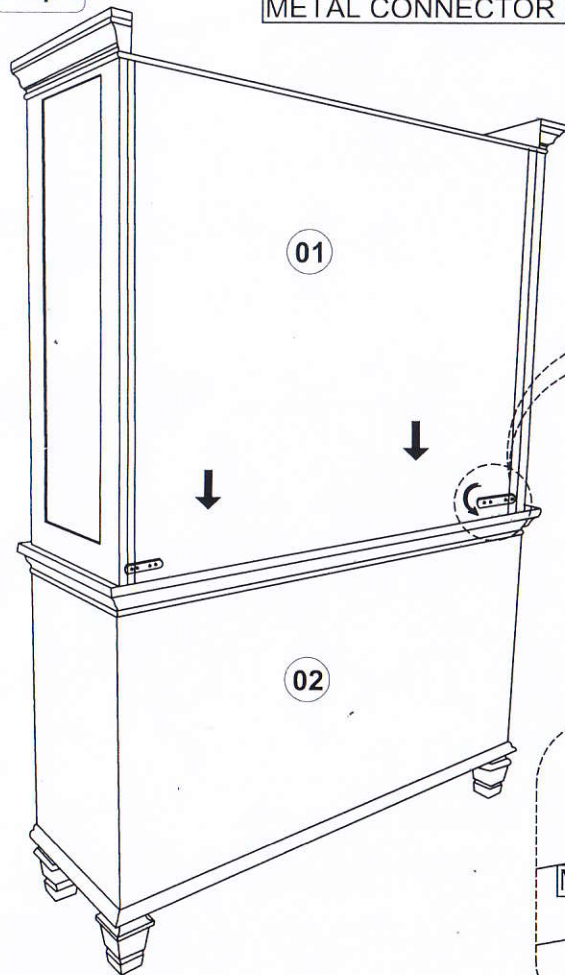
Code	Figure	Part	Qty.
01		HUTCH	1
02		BUFFET	1

List of hardware For 1 Set

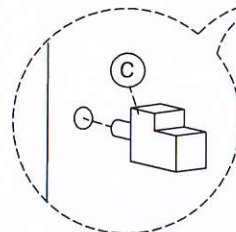
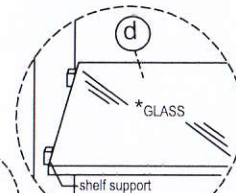
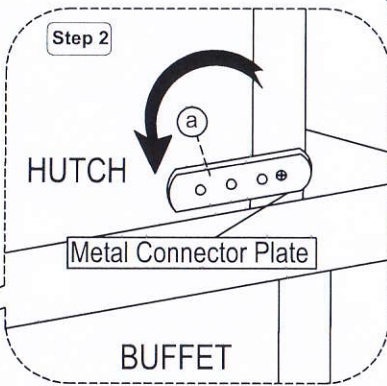
Code	Figure	Hardware	Qty.
a		Metal Connector	2
b		CSKCB Screw M4 x 20mm	6
c		SHELF SUPPORT	16
d		GLASS PACK (SHELF)	4

Step 1

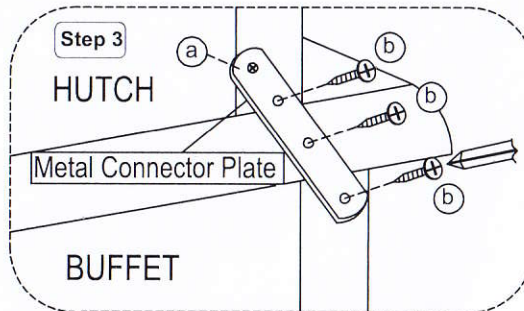
METAL CONNECTOR FITTING INSTRUCTION



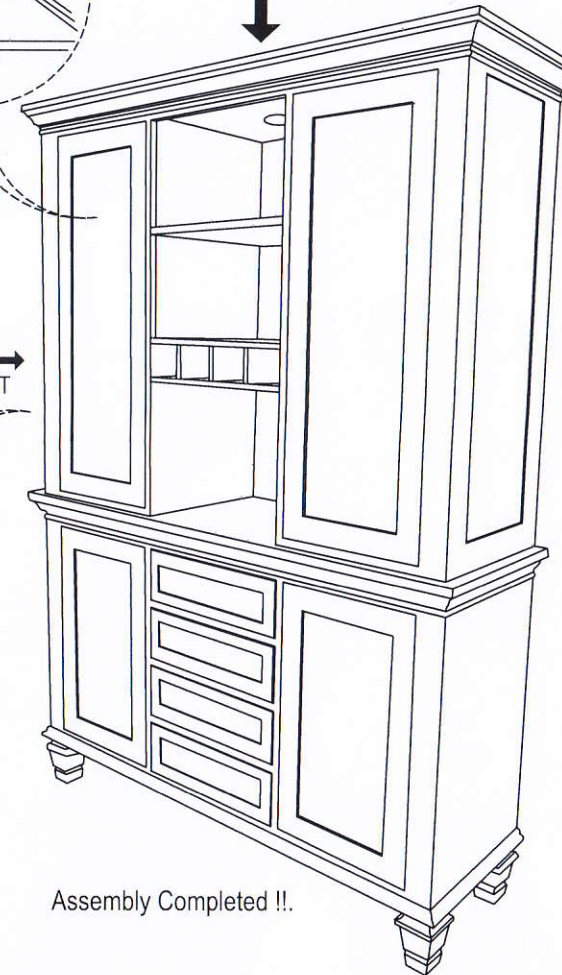
Step 2



Step 3



GLASS PACK (SHELF)



Assembly Completed !!.

⚠ Important Notes

- * Keep all hardware parts out of reach of children.
- * Must tighten screws periodically. With use screws will become loose. Check tightness of all screws every 6-8 weeks.
- * Don't attempt to repair or modify parts that are broken or defective. Please contact the store immediately.
- * Do not tighten all screw / bolt until all completely assembled



Care And Maintenance

- * The Touch of a soft cloth is all the maintenance your wood pieces will ever need.
- * Never use harsh chemicals or abrasive cleaner as they could mark or destroy finish.

MADE IN MALAYSIA