



Thank You for purchasing this Quality product. It has been engineered for easy assembly yet constructed for durability. Please take the time to read and follow the instruction while assembling.

# ASSEMBLY INSTRUCTION

EAST LANE STOOL

Model : DLU-EL-B90-AG-RTA

**Sunset Trading®**

a div of Sunset Furniture Intl.LLC

701 E Industrial PK Dr  
Manchester NH 03109

877-364-8464

www.sunsettrading.com

info@sunsettrading.com

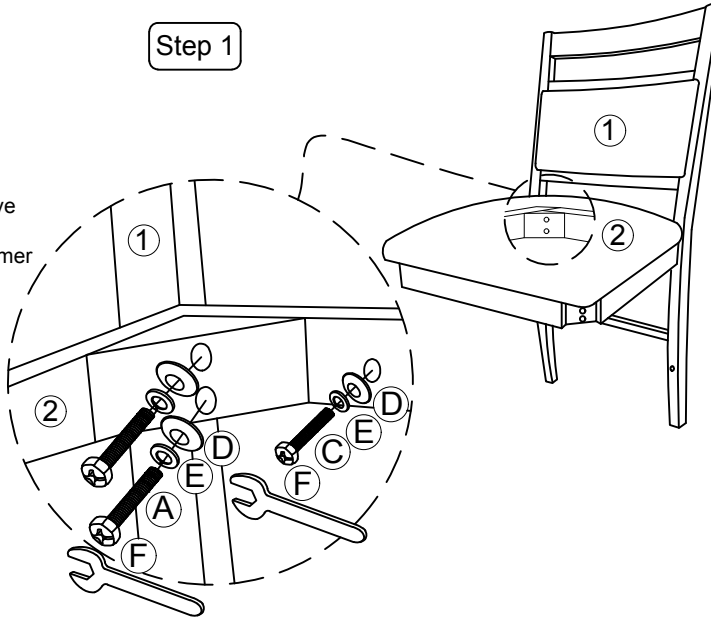
\*\*Pls Check to make sure you have all parts otherwise contact local retailer or Sunset Trading customer service at 877-364-8464"

Size: 19 3/4" x 24" x 40 1/2"(H)

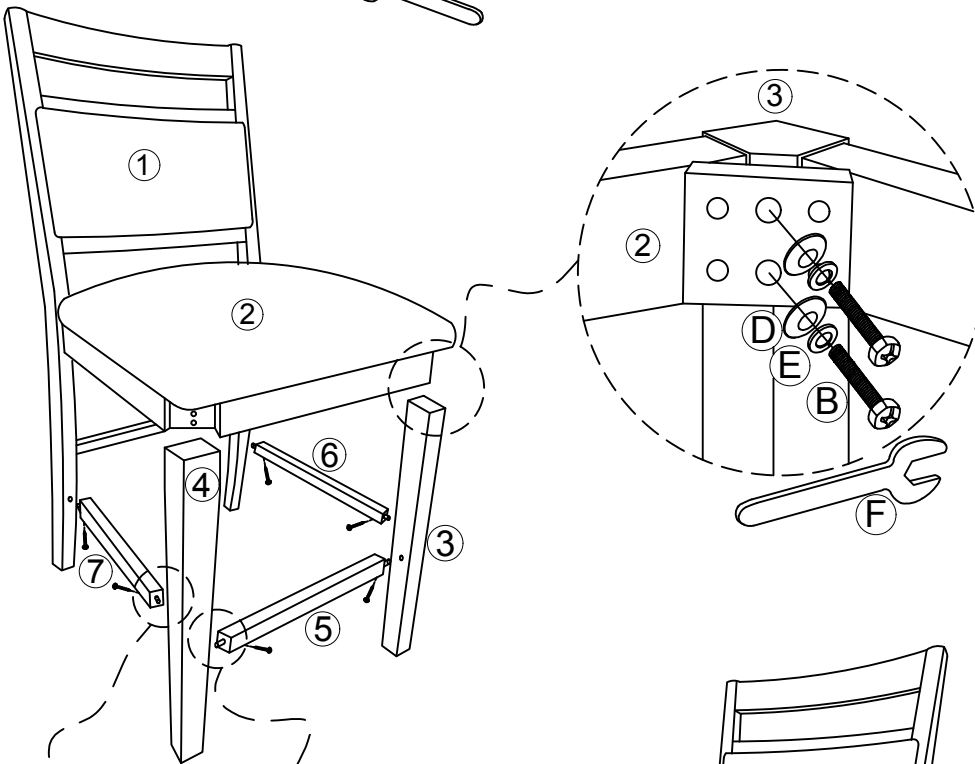
List of Part For 1 Set

| Code | Figure | Part               | Qty. |
|------|--------|--------------------|------|
| ①    |        | Chair Back         | 1    |
| ②    |        | Cushion Seat       | 1    |
| ③    |        | Front Leg (R)      | 1    |
| ④    |        | Front Leg (L)      | 1    |
| ⑤    |        | Front Stretcher    | 1    |
| ⑥    |        | Side Stretcher (R) | 1    |
| ⑦    |        | Side Stretcher (L) | 1    |

Step 1



Step 2



List of hardware For 1 Set

| Code | Figure | Hardware                    | Qty. |
|------|--------|-----------------------------|------|
| (A)  |        | Hex. Bolt<br>M6 x 80mm      | 4    |
| (B)  |        | Hex. Bolt<br>M6 x 60mm      | 4    |
| (C)  |        | Hex. Bolt<br>M6 x 40mm      | 2    |
| (D)  |        | Flat Washer<br>1/4" x 18 mm | 10   |
| (E)  |        | Spring Washer<br>1/4"       | 10   |
| (F)  |        | Spanner<br>10 mm            | 1    |
| (G)  |        | PHRS Screw<br>8 x 1 1/2"    | 6    |



### Important Notes

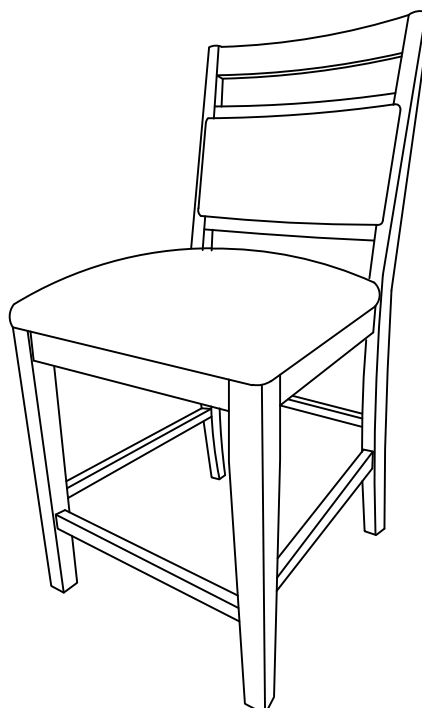
- \* Keep all hardware parts out of reach of children.
- \* Must tighten screws periodically. With use screws will become loose. Check tightness of all screws every 6-8 weeks.
- \* Don't attempt to repair or modify parts that are broken or defective. Please contact the store immediately.
- \* Do not tighten all screw / bolt until all completely assembled.

### Notes

- \* Place all wooden parts on a clean and smooth surface such as a rug or carpet to avoid the parts from being scratched.
- \* Check to be sure that you have all parts and hardware.
- \* Remove all wrapping materials including staples & packing straps before you start to assemble.
- \* Do not tighten all screws / bolts until all completely assembled.

### Care And Maintenance

- \* The Touch of a soft cloth is all the maintenance your wood pieces will ever need.
- \* Never use harsh chemicals or abrasive cleaner as they could mark or destroy finish.



Assembly Completed !!

