



been engineered for easy assembly yet constructed for durability.  
Please take the time to read and follow the instruction while assembling.

EASTLANE PUB STOOLS  
18" x 18" x 24"H

Sunset Trading

a div of Sunset Furniture Intl LLC

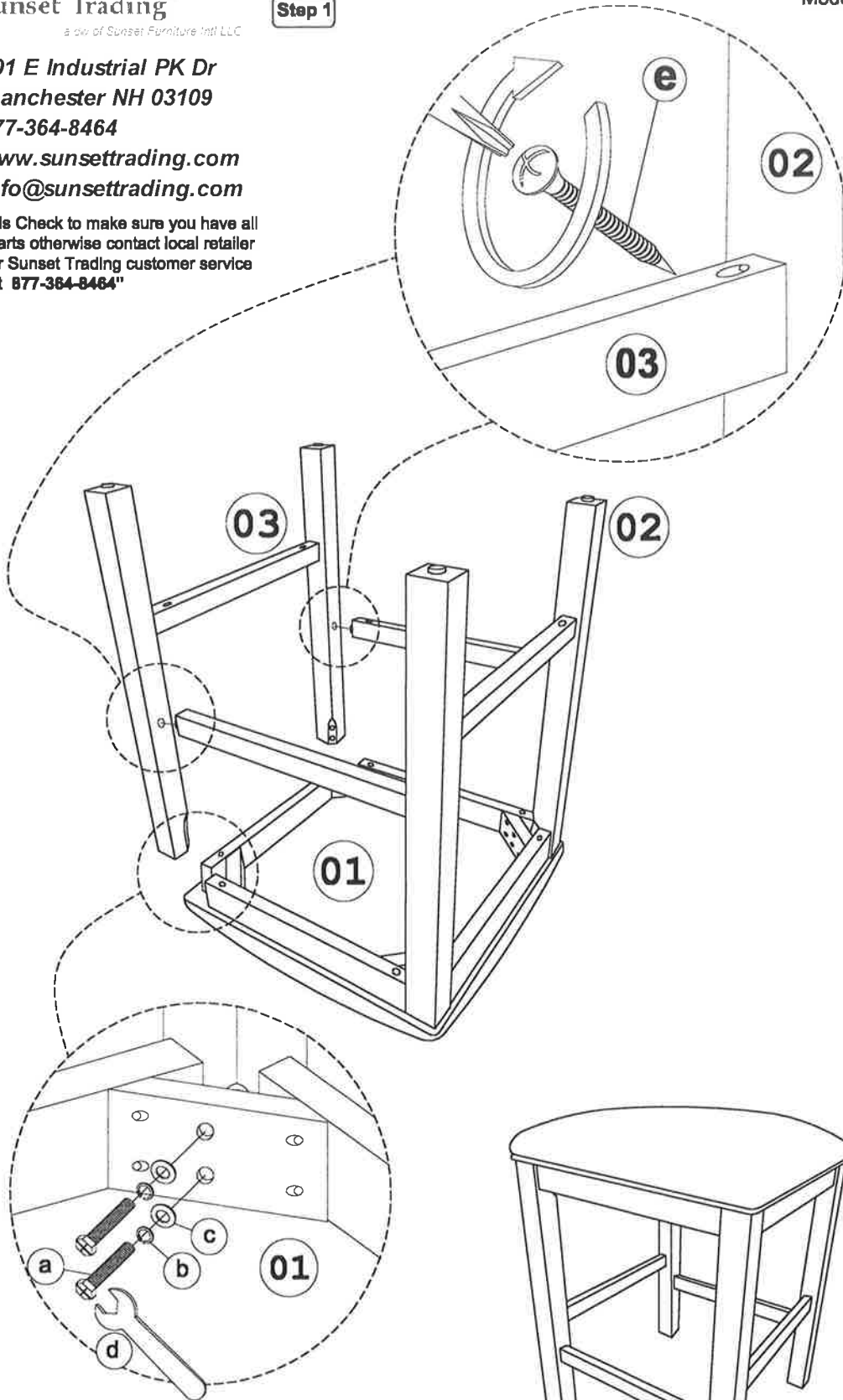
701 E Industrial PK Dr  
Manchester NH 03109  
877-364-8464

www.sunsettrading.com  
info@sunsettrading.com

\*\*Pls Check to make sure you have all parts otherwise contact local retailer or Sunset Trading customer service at 877-364-8464"

Step 1

Model : DLU-EL-B300-AG (CS-1920-RTA)



List of Part For 1 Set

Code	Figure	Part	Qty.
01		Seat	1
02		Leg Frame	1
03		Stretcher	2

List of hardware For 1 Set

Code	Figure	Hardware	Qty.
a		Hex. Bolt M6 x 60mm	8
b		Flat Washer 1/4" x 18mm	8
c		Spring Washer 1/4"	8
d		Spanner 10mm	1
e		PHRS Screw #8 x 1 1/2"	4



Important Notes

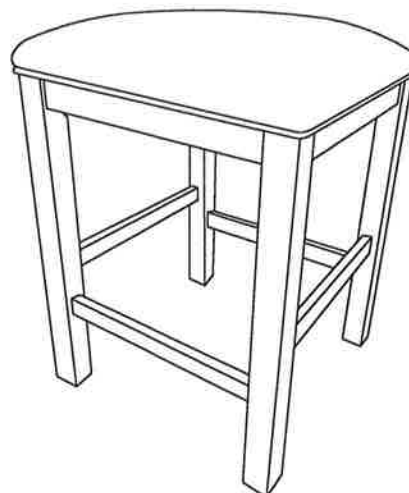
- \* Keep all hardware parts out of reach of children.
- \* Must tighten screws periodically. With use screws will become loose. Check tightness of all screws every 6-8 weeks.
- \* Don't attempt to repair or modify parts that are broken or defective. Please contact the store immediately.
- \* Do not tighten all screw / bolt until all completely assembled.

Notes

- \* Place all wooden parts on a clean and smooth surface such as a rug or carpet to avoid the parts from being scratched.
- \* Check to be sure that you have all parts and hardware.
- \* Remove all wrapping materials including staples & packing straps before you start to assemble.
- \* Do not tighten all screws / bolts until all completely assembled.

Care And Maintenance

- \* The Touch of a soft cloth is all the maintenance your wood pieces will ever need.
- \* Never use harsh chemicals or abrasive cleaner as they could mark or destroy finish.



Assembly Completed !!..

