



701 E Industrial PK Dr
Manchester NH 03109
877-364-8464
www.sunsettrading.com
- info@sunsettrading.com

**Pls Check to make sure you have all parts otherwise contact local retailer or Sunset Trading customer service at 877-364-8464"

Thank You for purchasing this Quality product. It has been engineered for easy assembly yet constructed for durability. Please take the time to read and follow the instruction while assembling.

ASSEMBLY INSTRUCTION

COUNTRY GROVE TABLE

Model : DLU-CG-TTB-4296-GO-T&B
(TSEEB-1333) (METAL GLIDE)

Size: 42" x 68" x 82" x 96" x30" H

List of Part For 1 Set

01		Table Top	1
02		Bottom CenterRail	1
03		Pedestal	2
04		Table Leg	4

List of hardware For 1 Set

a		Flat Washer 5/16" x 22mm	20
b		Spring Washer 5/16"	20
c		Hexagon Nut 5/16" x 7mm	20
d		Spanner 12.8 mm	1

Important Notes

- * Keep all hardware parts out of reach of children.
- * Must tighten screws periodically. With use screws will become loose. Check tightness of all screws every 6-8 weeks.
- * Don't attempt to repair or modify parts that are broken or defective. Please contact the store immediately.
- * Do not tighten all screw / bolt until all completely assembled

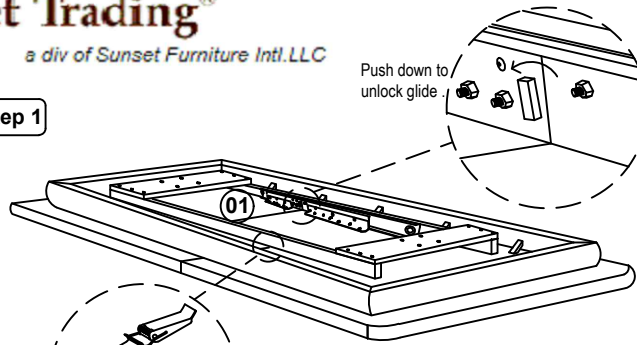
Notes

- * Place all wooden parts on a clean and smooth surface such as a rug or carpet to avoid the parts from being scratched.
- * Check to be sure that you have all parts and hardware.
- * Remove all wrapping materials including staples & packing straps before you start to assemble.

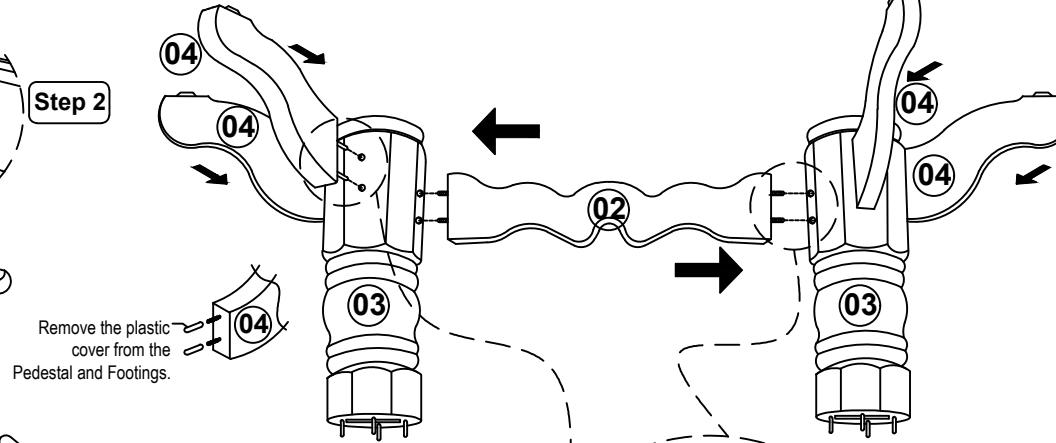
Sunset Trading®

a div of Sunset Furniture Intl.LLC

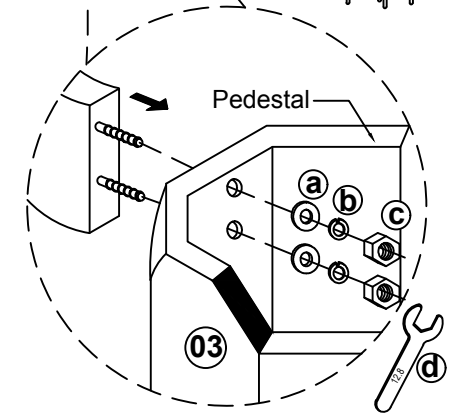
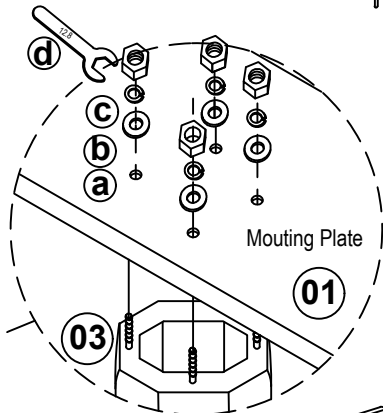
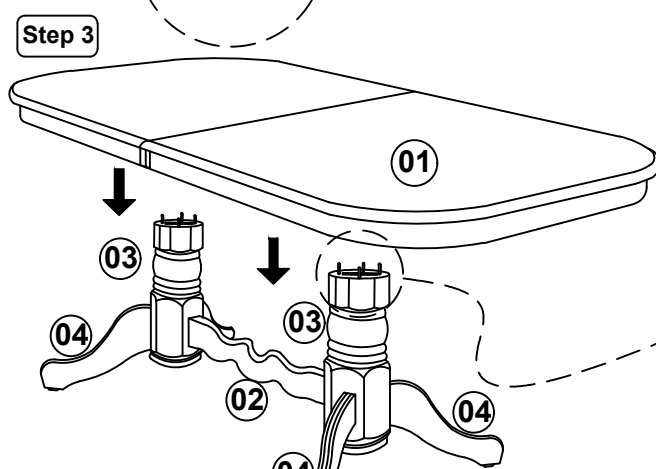
Step 1



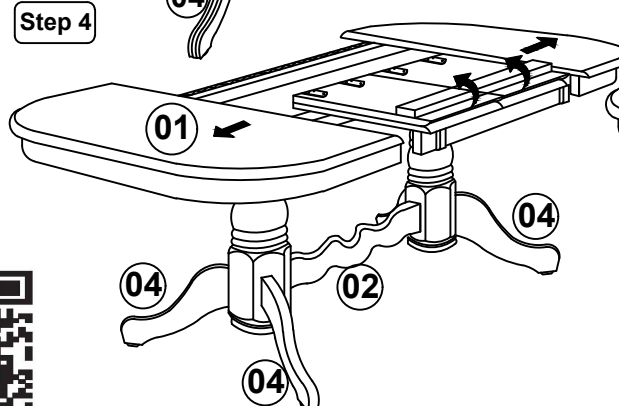
Step 2



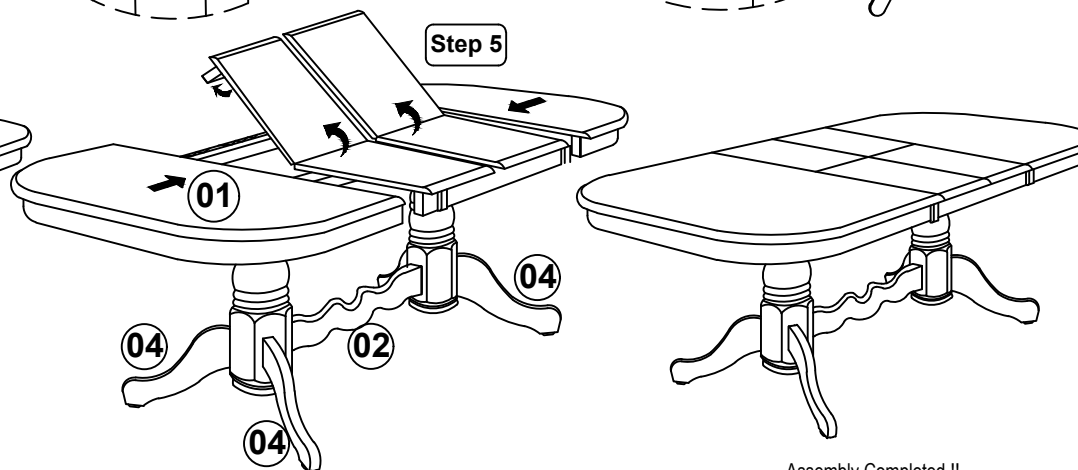
Step 3



Step 4



Step 5



Assembly Completed !!

MADE IN MALAYSIA





Sunset Trading®
a div of Sunset Furniture Int'l LLC

701 E Industrial PK Dr
Manchester NH 03109
877-364-8464
www.sunsettrading.com
info@sunsettrading.com

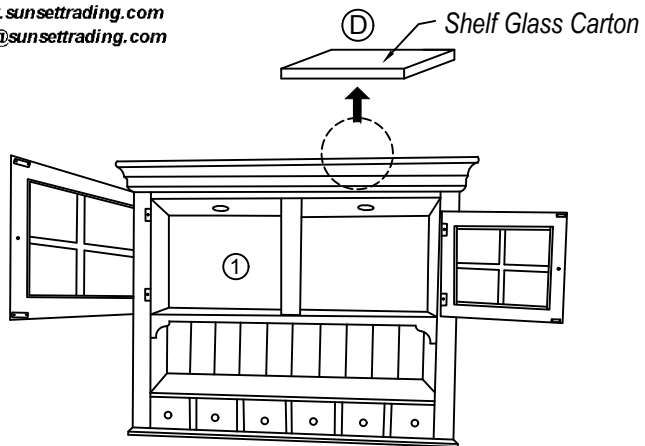
**Pls Check to make sure you have all parts otherwise contact local retailer or Sunset Trading customer service at 877-364-8464"

Thank you for purchasing this Quality product. It has been engineered for easy assembly yet constructed for durability. Please take the time to read and follow the instructions while assembling. Please be sure to read the Notes section at the bottom of the page before beginning Assembly. Thank You

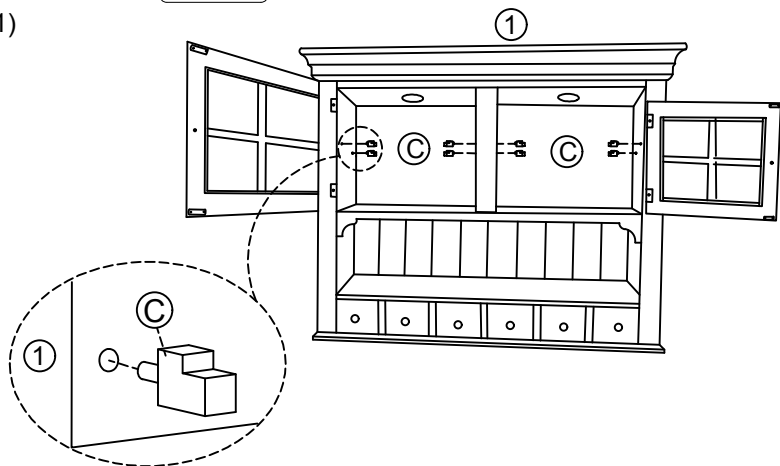
ASSEMBLY INSTRUCTION
COUNTRY GROVE HUTCH & BUFFET
Model : DLU-CG-HUT/BUF-GO (HB1333)

Step 1

*Remove the glass pack on the Hutch (1)



Step 2 Install the Shelf support (C)



List of Part For 1 Set

①		Hutch	1
②		Buffet	1

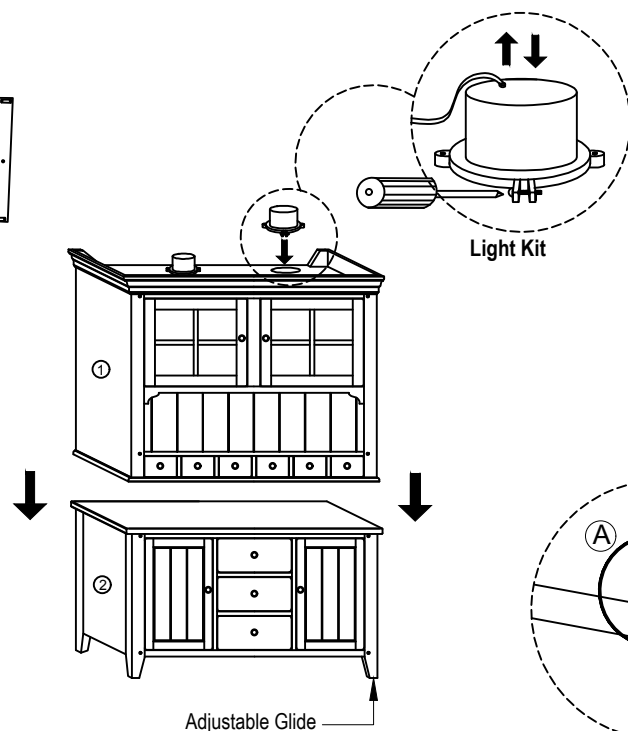
List of hardware For 1 Set

(A)		Metal Connector	2
(B)		CSKCB Screw M4 x 20mm	6
(C)		Shelf Support	8
(D)		Shelf Glass	2

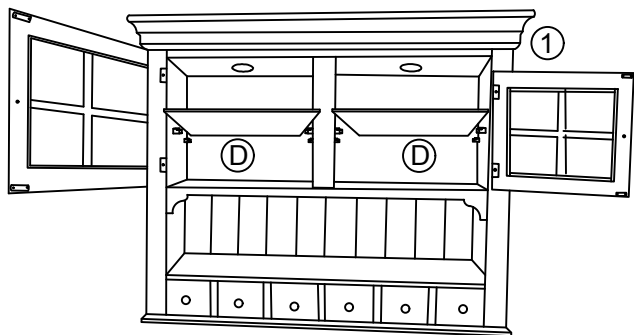
Step 4

Loosen the screw at "Light Kit" and adjust the "Light Kit" same height the other one and tighten back the screw.

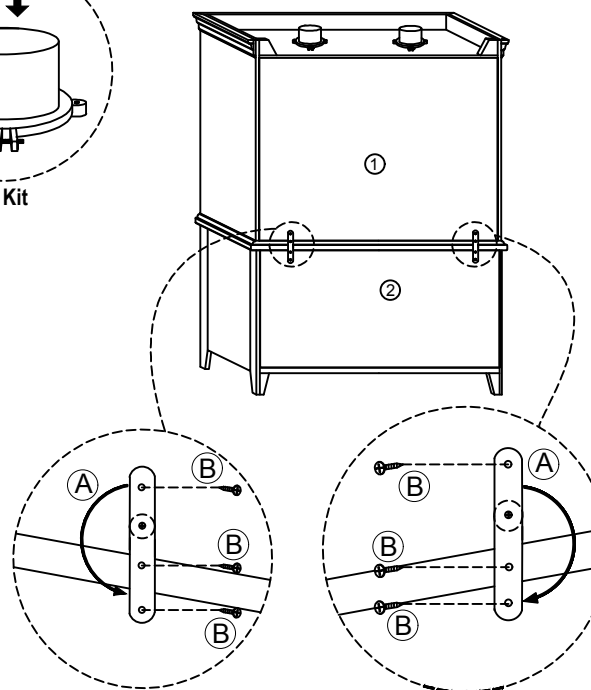
*Align and attach the Hutch(1) to the Buffet(2).



Step 3 Install the Shelf Glass (D)



Step 5



Important Notes

- * Keep all hardware parts out of reach of children.
- * Must tighten screws periodically. With use screws will become loose. Check tightness of all screws every 6-8 weeks.
- * Don't attempt to repair or modify parts that are broken or defective. Please contact the store immediately.
- * Do not tighten all screw / bolt until all completely assembled

Notes

- * Place all wooden parts on a clean and smooth surface such as a rug or carpet to avoid the parts from being scratched.
- * Check to be sure that you have all parts and hardware.
- * Remove all wrapping materials including staples & packing straps before you start to assemble.

MADE IN MALAYSIA

