



701 E Industrial PK Dr  
Manchester NH 03109  
877-364-8464  
www.sunsettrading.com  
- info@sunsettrading.com

\*\*Pls Check to make sure you have all parts otherwise contact local retailer or Sunset Trading customer service at 877-364-8464"

Thank You for purchasing this Quality product. It has been engineered for easy assembly yet constructed for durability. Please take the time to read and follow the instruction while assembling.

# ASSEMBLY INSTRUCTION

COUNTRY GROVE TABLE

Model : DLU-CG-TTB-4296-GO-T&B  
(TSEEB-1333) (METAL GLIDE)

Size: 42" x 68" x 82" x 96" x30" H

List of Part For 1 Set

|    |  |                    |   |
|----|--|--------------------|---|
| 01 |  | Table Top          | 1 |
| 02 |  | Bottom Center Rail | 1 |
| 03 |  | Pedestal           | 2 |
| 04 |  | Table Leg          | 4 |

List of hardware For 1 Set

|   |  |                             |    |
|---|--|-----------------------------|----|
| a |  | Flat Washer<br>5/16" x 22mm | 20 |
| b |  | Spring Washer<br>5/16"      | 20 |
| c |  | Hexagon Nut<br>5/16" x 7mm  | 20 |
| d |  | Spanner<br>12.8 mm          | 1  |

### Important Notes

- \* Keep all hardware parts out of reach of children.
- \* Must tighten screws periodically. With use screws will become loose. Check tightness of all screws every 6-8 weeks.
- \* Don't attempt to repair or modify parts that are broken or defective. Please contact the store immediately.
- \* Do not tighten all screw / bolt until all completely assembled

### Notes

- \* Place all wooden parts on a clean and smooth surface such as a rug or carpet to avoid the parts from being scratched.
- \* Check to be sure that you have all parts and hardware.
- \* Remove all wrapping materials including staples & packing straps before you start to assemble.

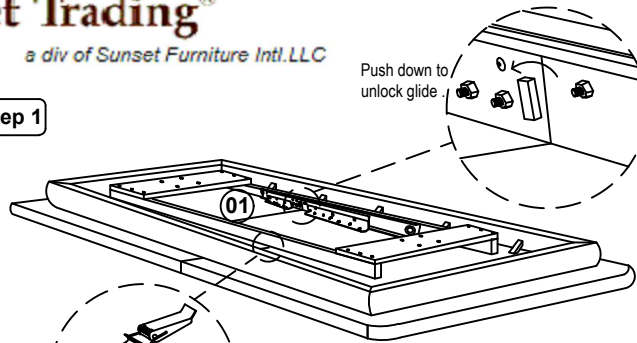
Assembly Completed !!

MADE IN MALAYSIA

Sunset Trading®

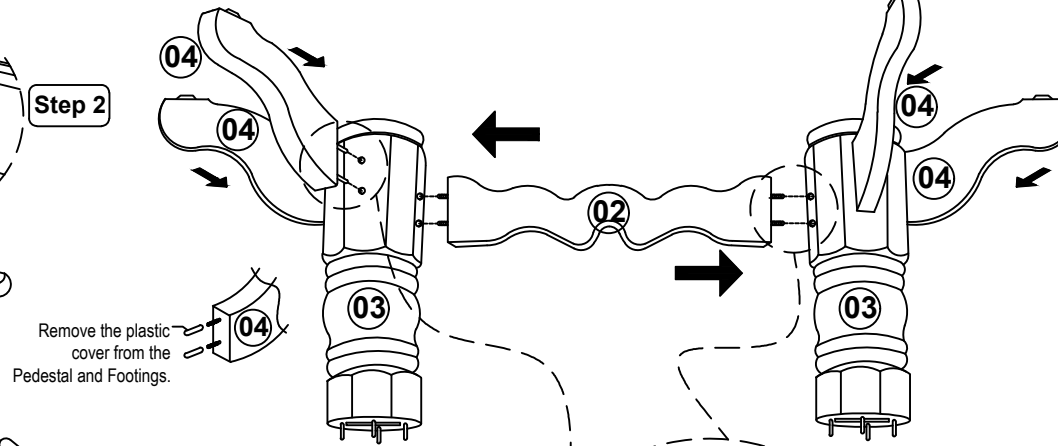
a div of Sunset Furniture Intl.LLC

Step 1

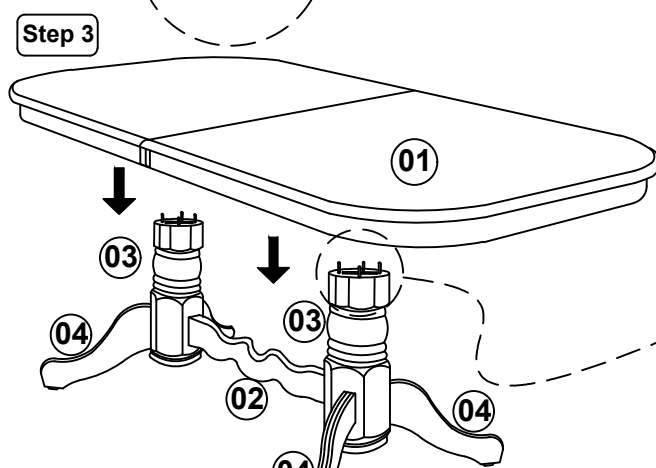


Open the Table Lock under the table before Center Leaf is assembled then lock it.

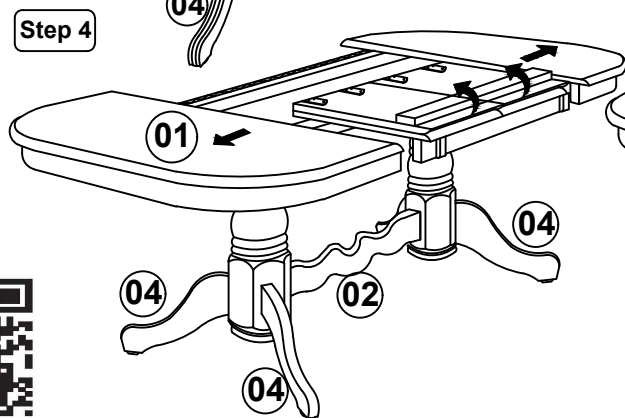
Step 2



Step 3



Step 4



Step 5

