



701 E Industrial PK Dr
 Manchester NH 03109
 877-364-8464
 www.sunsettrading.com
 info@sunsettrading.com

**Pls Check to make sure you have all parts otherwise contact local retailer or Sunset Trading customer service at 877-364-8464"

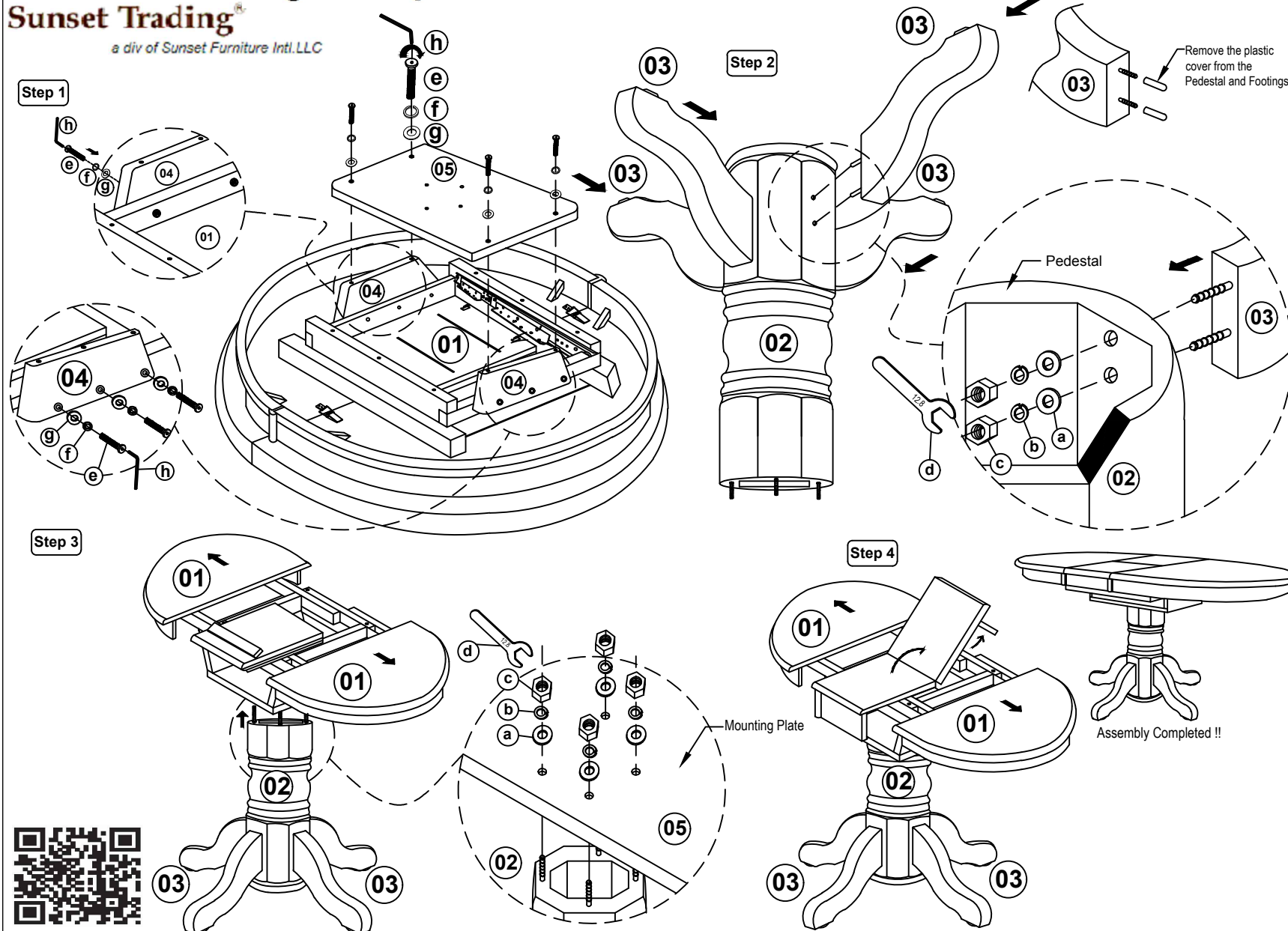
Thank You for purchasing this Quality product. It has been engineered for easy assembly yet constructed for durability. Please take the time to read and follow the instruction while assembling.

ASSEMBLY INSTRUCTION

COUNTRY GROVE TABLE & BASE WITH METAL CABLE GLIDE

Model:DLU-CG-TP-4260-GO-T&CB-B (PTSEB&TSEB1320T&CB)

Sunset Trading
 a div of Sunset Furniture Intl.LLC



42" x 42 X 60" x 36 " & 30" H
 List of Part For 1 Set

| | | | |
|----|--|------------------------|---|
| 01 | | Table Top | 1 |
| 02 | | Pedestal | 1 |
| 03 | | Table Leg With Leveler | 4 |
| 04 | | Supporting Rail | 2 |
| 05 | | Mounting Plate | 1 |

List of hardware For 1 Set

| | | | |
|---|--|-----------------------------|----|
| a | | Flat Washer 5/16" x 22mm | 12 |
| b | | Spring Washer 5/16" | 12 |
| c | | Hexagon Nut 5/16" x 7mm | 12 |
| d | | Spanner 12.8mm | 1 |
| e | | JCBC Bolt M6 x 40mm | 10 |
| f | | Spring Washer 1/4" | 10 |
| g | | Flat Washer 1/4 x 13mm | 10 |
| h | | Allen Key M4 | 1 |

⚠ Important Notes

- * Keep all hardware parts out of reach of children.
- * Must tighten screws periodically. With use screws will become loose. Check tightness of all screws every 6-8 weeks.
- * Don't attempt to repair or modify parts that are broken or defective. Please contact the store immediately.
- * Do not tighten all screw / bolt until all completely assembled !!

Notes

- * Place all wooden parts on a clean and smooth surface such as a rug or carpet to avoid the parts from being scratched.
- * Check to be sure that you have all parts and hardware.
- * Remove all wrapping materials including staples & packing straps before you start to assemble.

MADE IN MALAYSIA

