



701 E Industrial PK Dr  
Manchester NH 03109  
877-364-8464  
www.sunsettrading.com  
info@sunsettrading.com

**Sunset Trading®**

a div of Sunset Furniture Intl.LLC

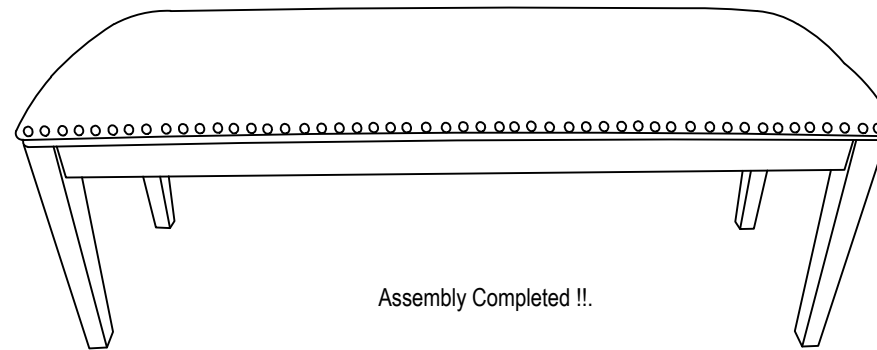
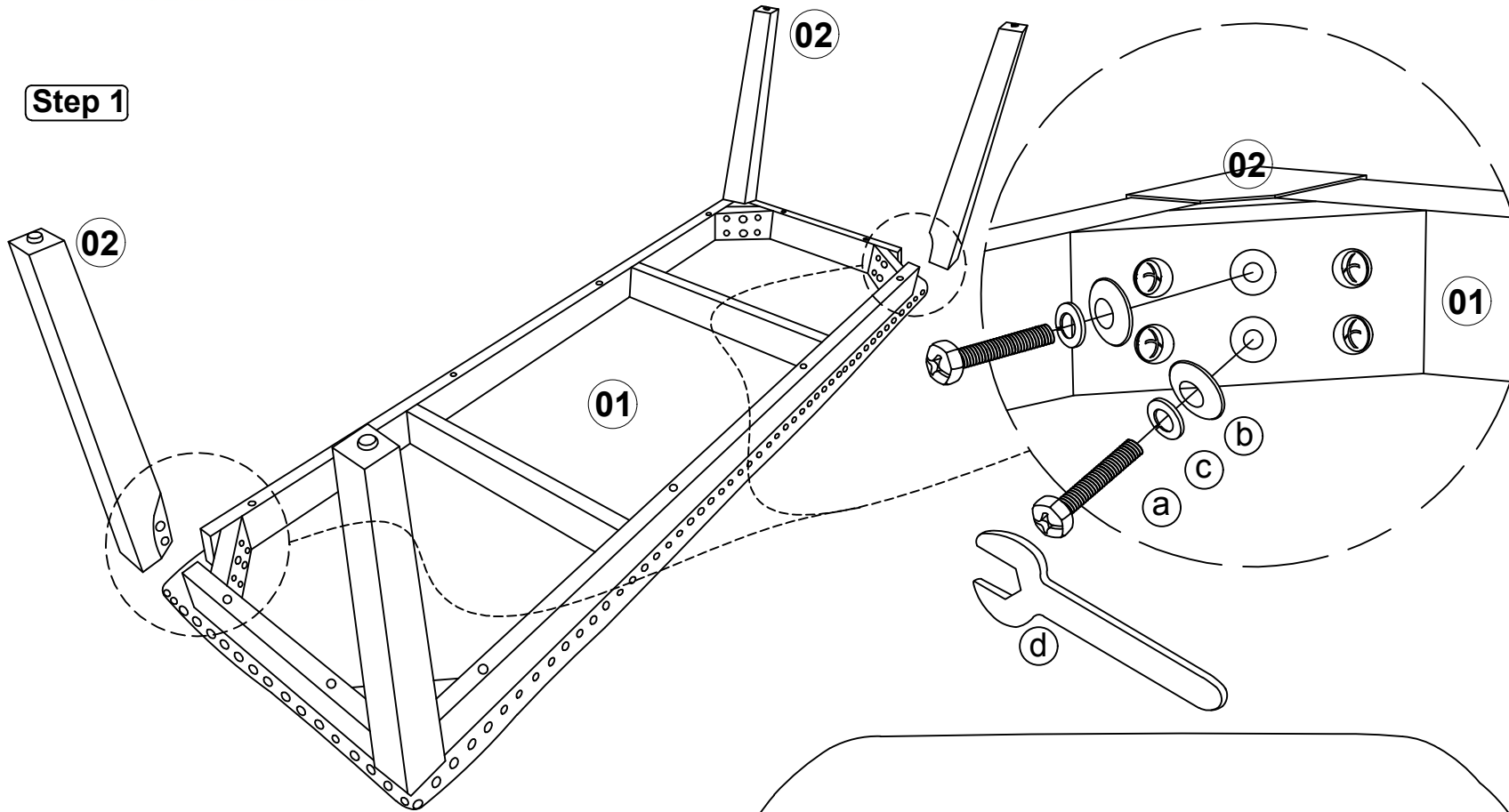
\*\* Pls Check to make sure you have all parts otherwise contact local retailer or Sunset Trading customer service at 877-364-8464"

Thank You for purchasing this Quality product. It has been engineered for easy assembly yet constructed for durability. Please take the time to read and follow the instruction while assembling.

# ASSEMBLY INSTRUCTION

Model : DLU-CA113-BEN (CB 1819 RTA)  
CHINA ASH BENCH

## Step 1



Assembly Completed !!.

### List of Part For 1 Set

Code	Figure	Part	Qty.
01		Seat Frame	1
02		Leg	4

### List of Hardware For 1 Set

Code	Figure	Hardware	Qty.
a		Hexagon Bolt M6 x 60mm	8
b		Flat Washer 1/4 " x 18mm	8
c		Spring Washer 1/4 "	8
d		Spanner	1

### Important Notes

- \* Keep all hardware parts out of reach of children.
- \* Must tighten screws periodically. With use screws will become loose. Check tightness of all screws every 6-8 weeks.
- \* Don't attempt to repair or modify parts that are broken or defective. Please contact the store immediately.
- \* Do not tighten all screw / bolt until all completely assembled

### Notes

- \* Place all wooden parts on a clean and smooth surface such as a rug or carpet to avoid the parts from being scratched.
- \* Check to be sure that you have all parts and hardware.
- \* Remove all wrapping materials including staples & packing straps before you start to assemble.

### Care And Maintenance

- \* The Touch of a soft cloth is all the maintenance your wood pieces will ever need.
- \* Never use harsh chemicals or abrasive cleaner as they could mark or destroy finish.

