



701 E Industrial PK Dr
 Manchester NH 03109
 877-364-8464
 www.sunsettrading.com
 - info@sunsettrading.com

**Pls Check to make sure you have all parts otherwise contact local retailer or Sunset Trading customer service at 877-364-8464"

Thank You for purchasing this Quality product. It has been engineered for easy assembly yet constructed for durability. Please take the time to read and follow the instruction while assembling.

ASSEMBLY INSTRUCTION

BROOK TABLE TOP/BASE

40" x 62" x 86" x 110" x 134" x 30"H

Model : DLU-BR-TL-PW-T-B (DSEEE-1535)

Sunset Trading™

a div of Sunset Furniture Intl LLC

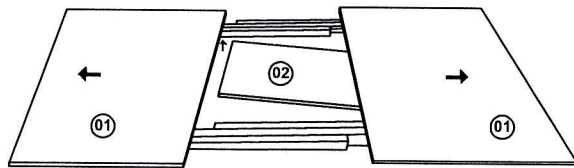
List of Part For 1 Set

Code	Figure	Part	Qty.
01		Table Top	1
02		Center Leaf	3
03		Side Leg	2
04		Center Leg	2

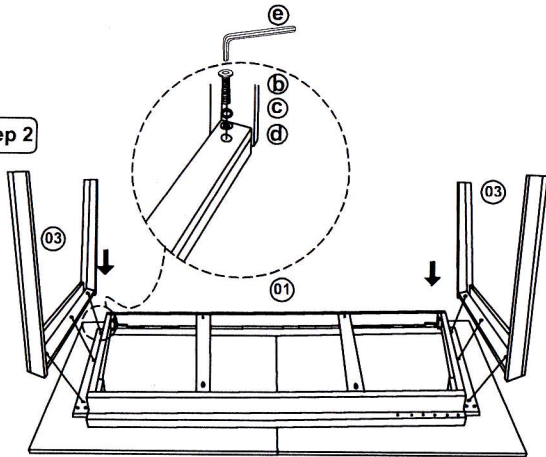
List of hardware For 1 Set

Code	Figure	Hardware	Qty.
a		JCBC Bolt M 6 x 70mm	8
b		JCBC Bolt M 6 x 45mm	10
c		Flat Washer 1/4" x 18mm	18
d		Spring Washer 1/4"	18
e		Allen Key M 4	1

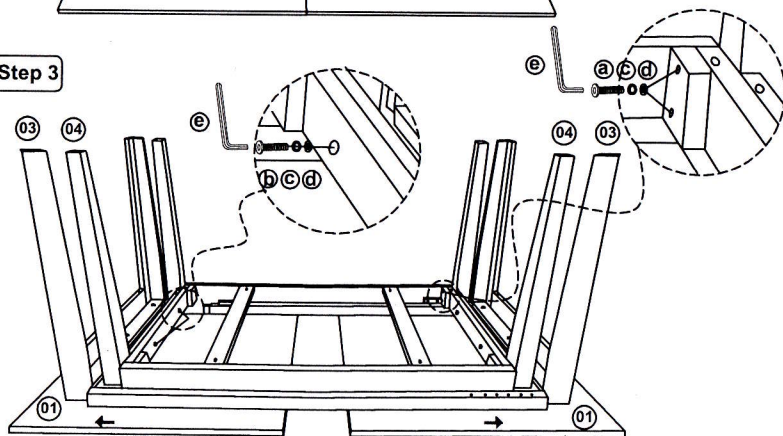
Step 1



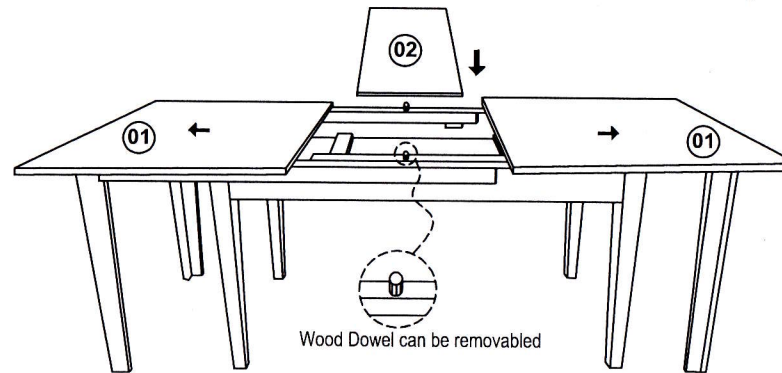
Step 2



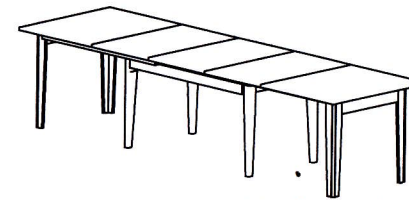
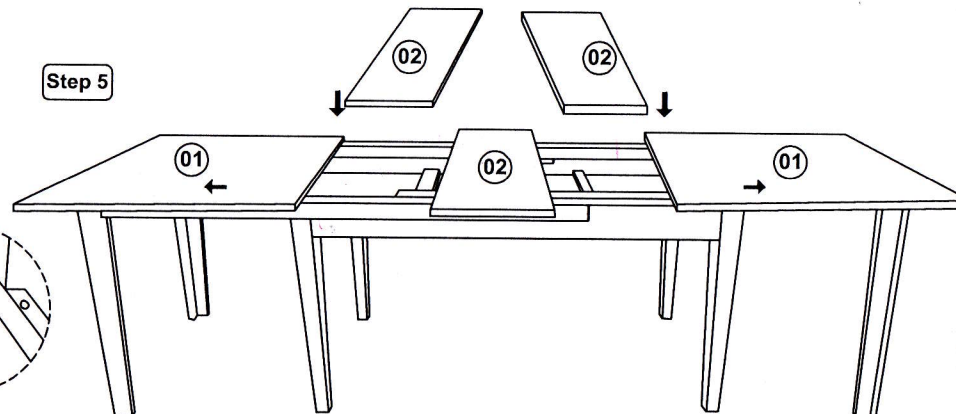
Step 3



Step 4



Step 5



Assembly Completed !!.

Important Notes

- * Keep all hardware parts out of reach of children.
- * Must tighten screws periodically. With use screws will become loose. Check tightness of all screws every 6-8 weeks.
- * Don't attempt to repair or modify parts that are broken or defective. Please contact the store immediately.
- * Do not tighten all screw / bolt until all completely assembled

MADE IN MALAYSIA