



701 E Industrial PK Dr  
Manchester NH 03109  
877-364-8464  
www.sunsettrading.com  
- info@sunsettrading.com

Sunset Trading<sup>®</sup>

a div of Sunset Furniture Intl LLC

\*\*Pls Check to make sure you have all parts otherwise contact local retailer or Sunset Trading customer service at 877-364-8464"

Thank You for purchasing this Quality product. It has been engineered for easy assembly yet constructed for durability. Please take the time to read and follow the instruction while assembling.

# ASSEMBLY INSTRUCTION

BROOK TABLE TOP/BASE

40" x 62" x 86" x 110" x 134" x 30" H

Model : DLU-BR-134-AM

(DSEEE-1535)

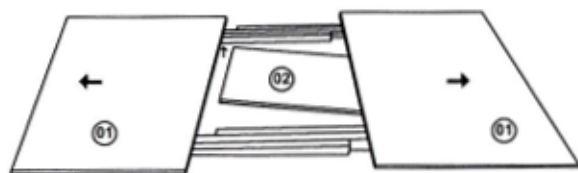
## List of Part For 1 Set

Code	Figure	Part	Qty.
01		Table Top	1
02		Center Leaf	3
03		Side Leg	2
04		Center Leg	2

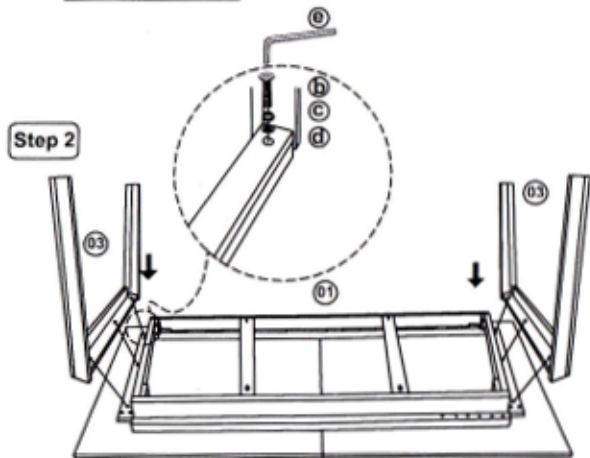
## List of hardware For 1 Set

Code	Figure	Hardware	Qty.
a		JCBC Bolt M 6 x 70mm	8
b		JCBC Bolt M 6 x 45mm	10
c		Flat Washer 1/4" x 18mm	18
d		Spring Washer 1/4" x 18mm	18
e		Allen Key M 4	1

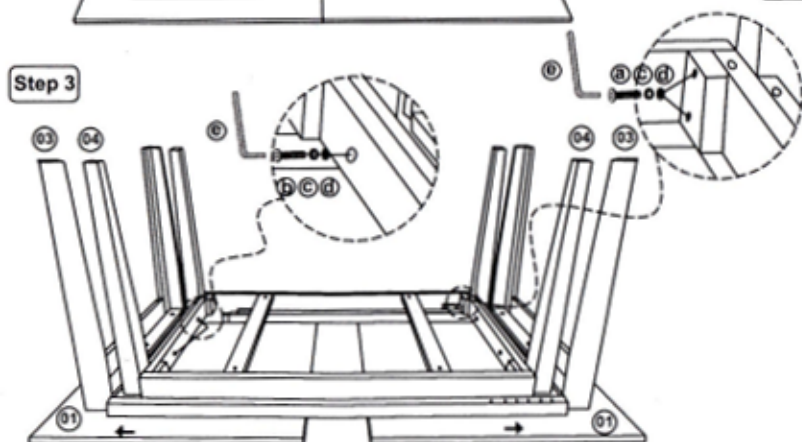
Step 1



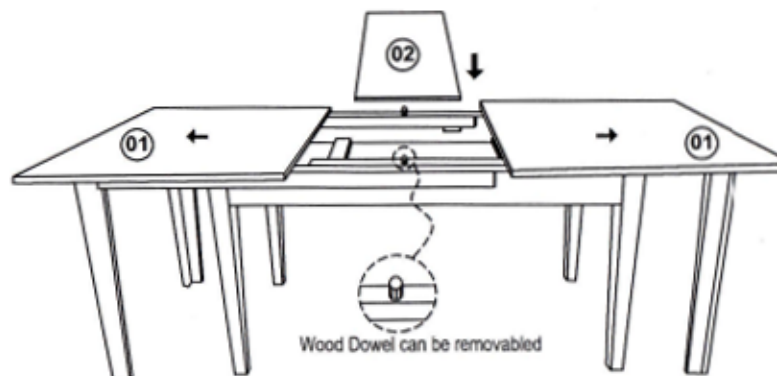
Step 2



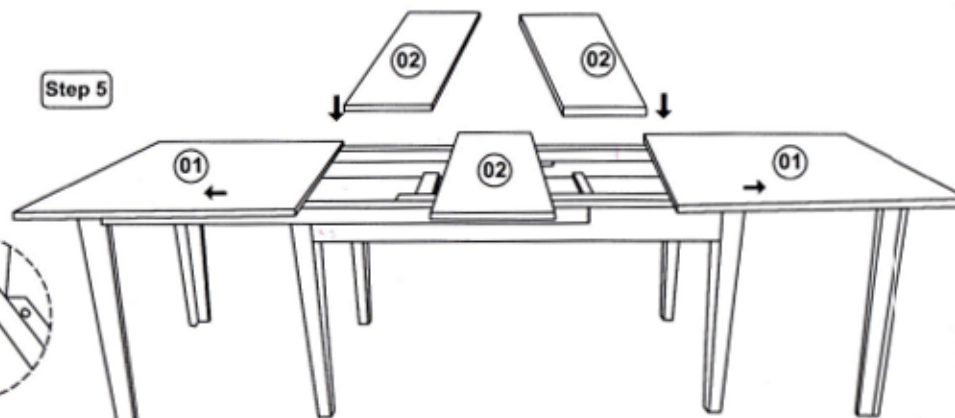
Step 3



Step 4



Step 5



Assembly Completed !!

## Important Notes

- Keep all hardware parts out of reach of children.
- Must tighten screws periodically. With use screws will become loose. Check tightness of all screws every 6-8 weeks.
- Don't attempt to repair or modify parts that are broken or defective. Please contact the store immediately.
- Do not tighten all screw / bolt until all completely assembled

MADE IN MALAYSIA