



701 E Industrial PK Dr
 Manchester NH 03109
 877-364-8464
 www.sunsettrading.com
 info@sunsettrading.com

Sunset Trading®

a div of Sunset Furniture Intl.LLC

**Pls Check to make sure you have all parts otherwise contact local retailer or Sunset Trading customer service at 877-364-8464"

Thank You for purchasing this Quality product. It has been engineered for easy assembly yet constructed for durability. Please take the time to read and follow the instruction while assembling.

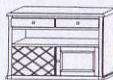

ASSEMBLY INSTRUCTION

BROOK SERVER

48"L x 17"D x 36 1/2"H

Model : DLU-BR-SER (S-1303)

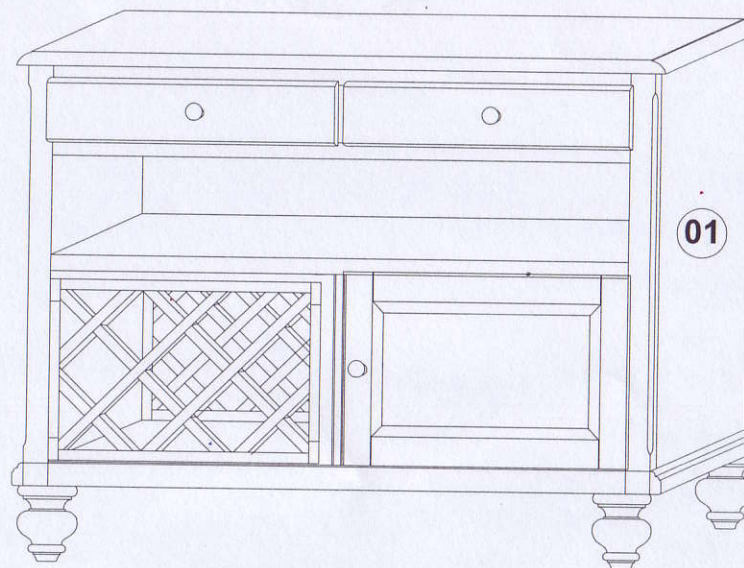
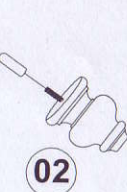
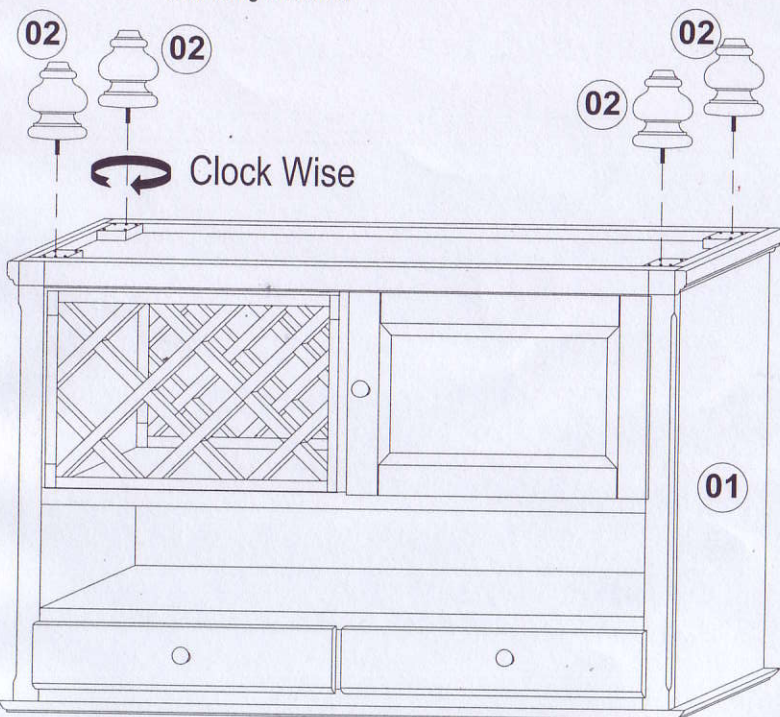
List of Part For 1 Set

01		CABINET	1
02		BUN LEG	4

Step 1 Firstly, remove the bun leg in the wine racker. Turn the under side of the Table Top over and place it on a clean and smooth surface such as rug or carpet to avoid the Table Top from being scratched.

Remove the plastic cover from the Pedestal and Bun Leg.

Step 2 Fix the Bun Leg to the cabinet. Repeat the same step to completed.



⚠ Important Notes

- * Keep all hardware parts out of reach of children.
- * Must tighten screws periodically. With use screws will become loose. Check tightness of all screws every 6-8 weeks.
- * Don't attempt to repair or modify parts that are broken or defective. Please contact the store immediately.
- * Do not tighten all screw / bolt until all completely assembled

