



701 E Industrial PK Dr
Manchester NH 03109
877-364-8464
www.sunsettrading.com
info@sunsettrading.com

Sunset Trading[®]

a div of Sunset Furniture Intl.LLC

**Pls Check to make sure you have all parts otherwise contact local retailer or Sunset Trading customer service at 877-364-8464"

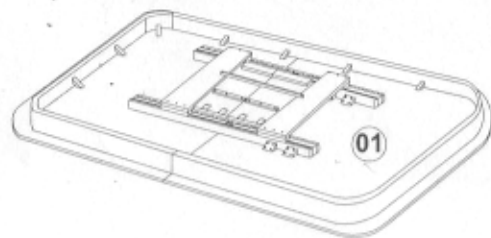
Thank You for purchasing this Quality product. It has been engineered for easy assembly yet constructed for durability. Please take the time to read and follow the instruction while assembling.

ASSEMBLY INSTRUCTION Double Butterfly Leaf Table

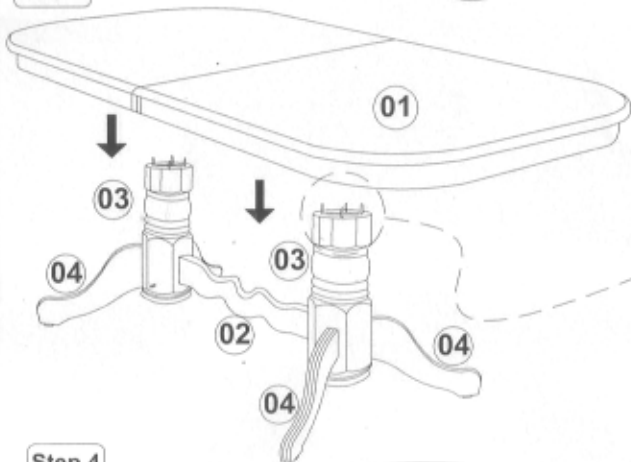
42" x 68" x 82" x 96" x30" H

Model : DLU-BR-TTB-4296-T&B (TSEEB-1333)

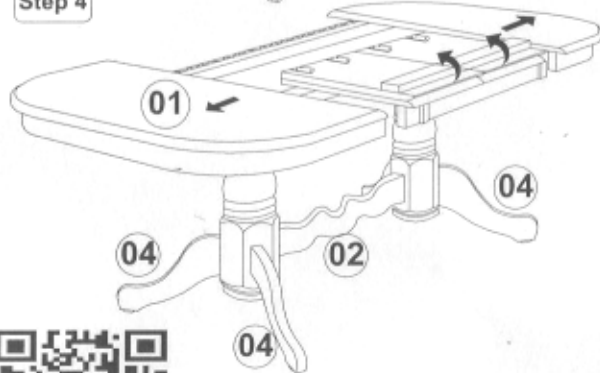
Step 1



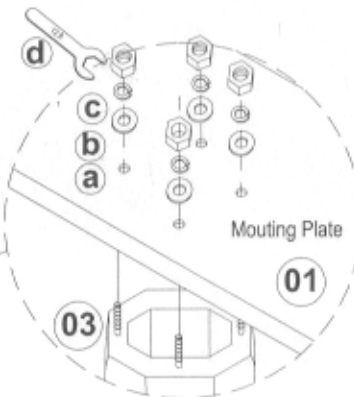
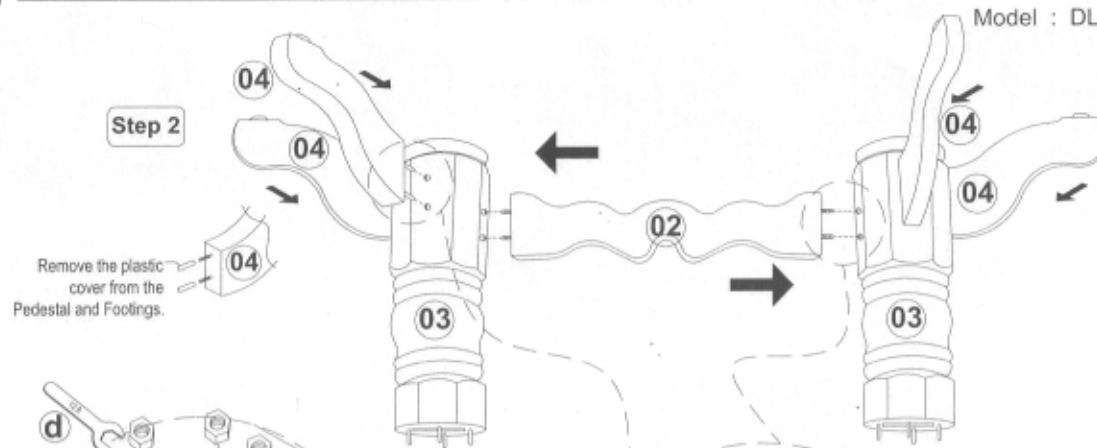
Step 3



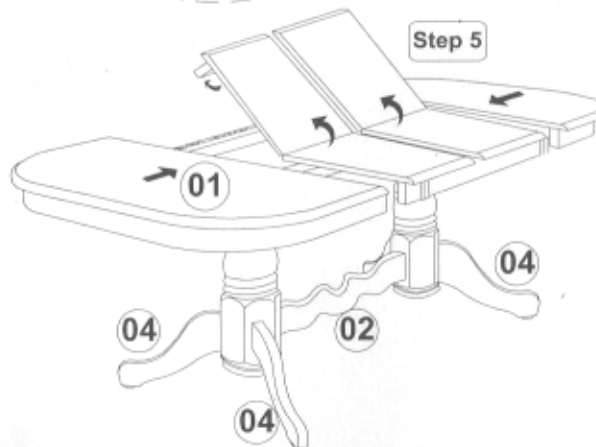
Step 4



Step 2



Step 5



List of Part For 1 Set

01		Table Top	1
02		Bottom Center Rail	1
03		Pedestal	2
04		Table Leg	4

List of hardware For 1 Set

a		Flat Washer 5/16" x 22mm	20
b		Spring Washer 5/16"	20
c		Hexagon Nut 5/16" x 7mm	20
d		Spanner 12.8 mm	1

Important Notes

- * Keep all hardware parts out of reach of children.
- * Must tighten screws periodically. With use screws will become loose. Check tightness of all screws every 6-8 weeks.
- * Don't attempt to repair or modify parts that are broken or defective. Please contact the store immediately.
- * Do not tighten all screw / bolt until all completely assembled

Assembly Completed !!..

MADE IN MALAYSIA

