



701 E Industrial PK Dr
Manchester NH 03109
877-364-8464
www.sunsettrading.com
info@sunsettrading.com

Sunset Trading®

a div of Sunset Furniture Intl.LLC

**Pls Check to make sure you have all parts otherwise contact local retailer or Sunset Trading customer service at 877-364-8464"

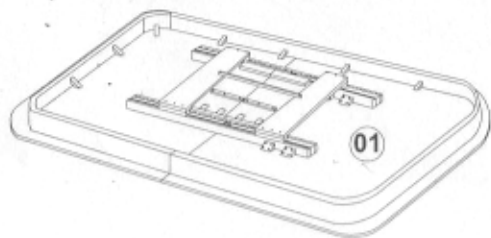
Thank You for purchasing this Quality product. It has been engineered for easy assembly yet constructed for durability. Please take the time to read and follow the instruction while assembling.

ASSEMBLY INSTRUCTION Double Butterfly Leaf Table

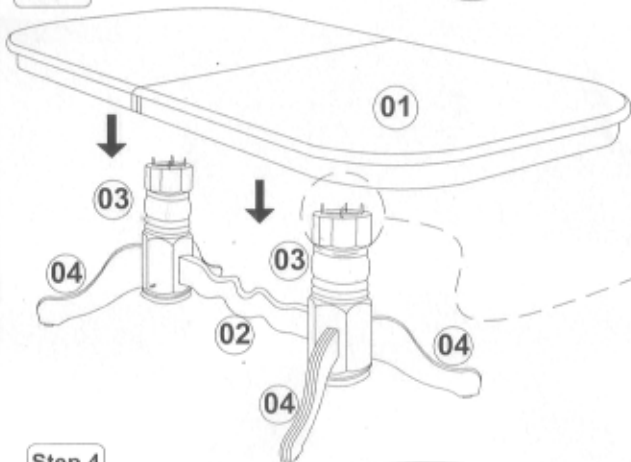
42" x 68" x 82" x 96" x30" H

Model : DLU-BR-TTB-4296-T&B (TSEEB-1333)

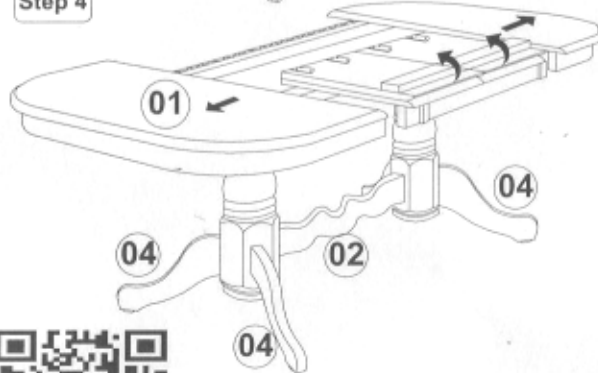
Step 1



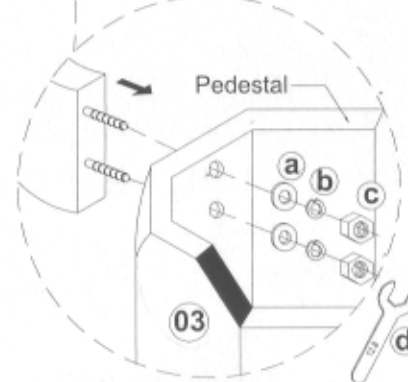
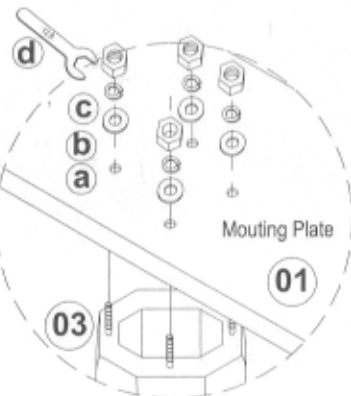
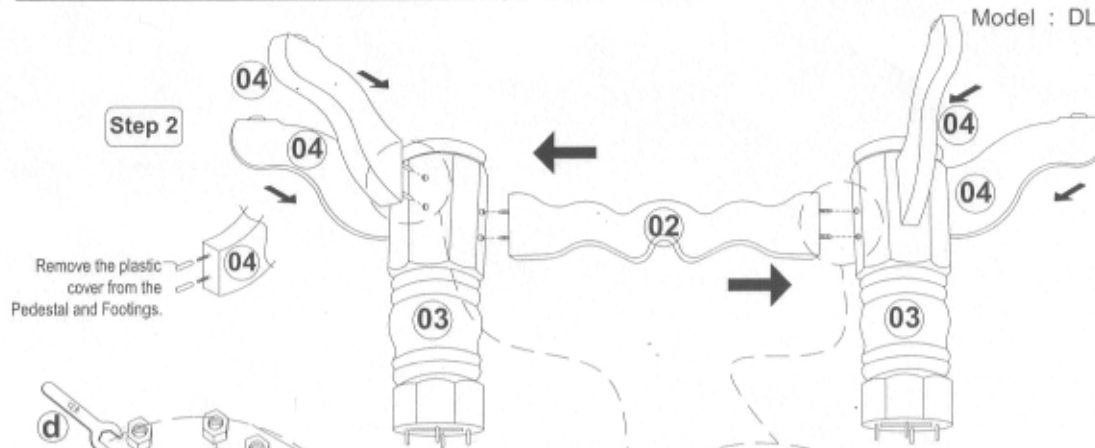
Step 3



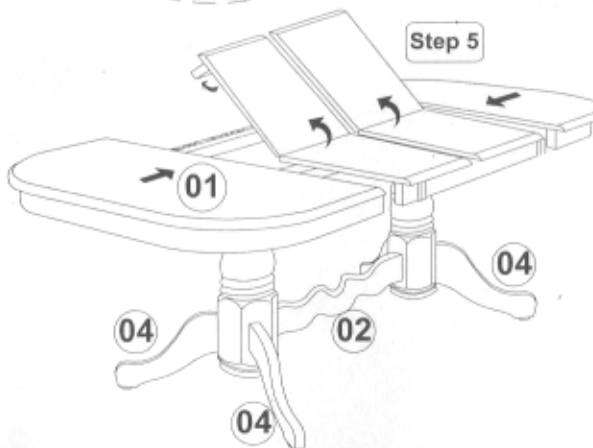
Step 4



Step 2



Step 5



List of Part For 1 Set

01		Table Top	1
02		Bottom Center Rail	1
03		Pedestal	2
04		Table Leg	4

List of hardware For 1 Set

a		Flat Washer 5/16" x 22mm	20
b		Spring Washer 5/16"	20
c		Hexagon Nut 5/16" x 7mm	20
d		Spanner 12.8 mm	1

Important Notes

- * Keep all hardware parts out of reach of children.
- * Must tighten screws periodically. With use screws will become loose. Check tightness of all screws every 6-8 weeks.
- * Don't attempt to repair or modify parts that are broken or defective. Please contact the store immediately.
- * Do not tighten all screw / bolt until all completely assembled



Assembly Completed !!..

MADE IN MALAYSIA



Thank You for purchasing this Quality product. It has been engineered for easy assembly yet constructed for durability. Please take the time to read and follow the instruction while assembling.

ASSEMBLY INSTRUCTION

38" ARROW BACK WINDSOR CHAIR

18"(W) x 20" (D) x 38 1/2"(H)

Model : DLU-820-RTA (C-0623-RTA)

Sunset Trading™

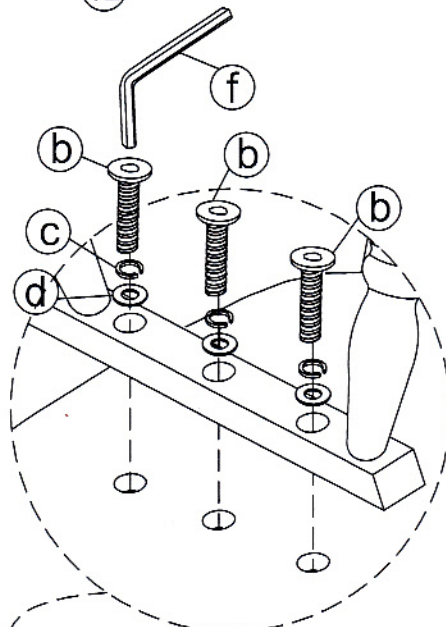
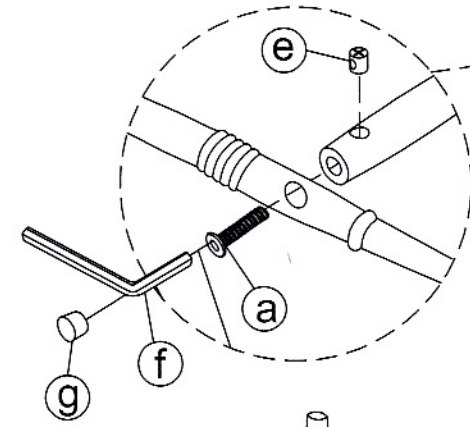
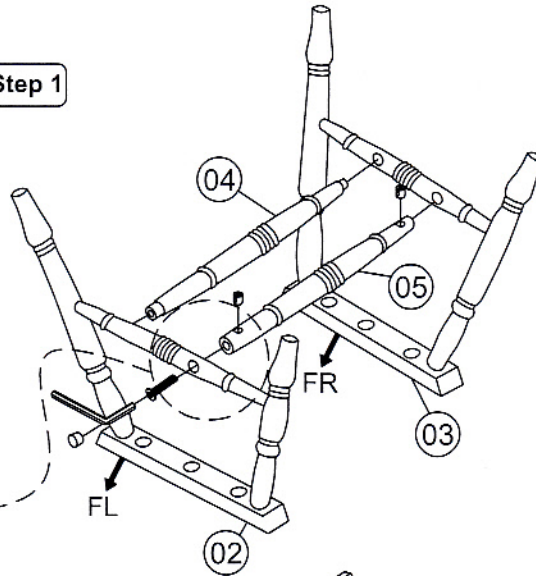
a div of Sunset Furniture Intl.LLC

701 E Industrial PK Dr
Manchester NH 03109
877-364-8464

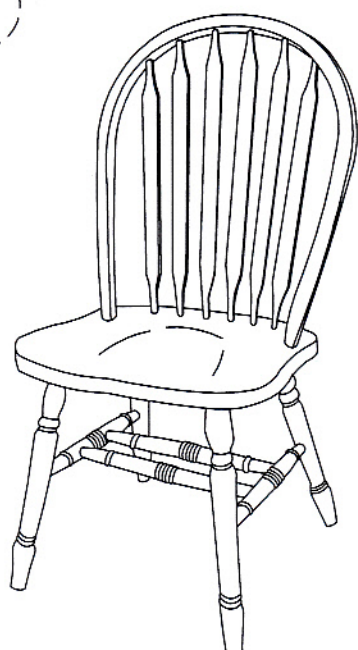
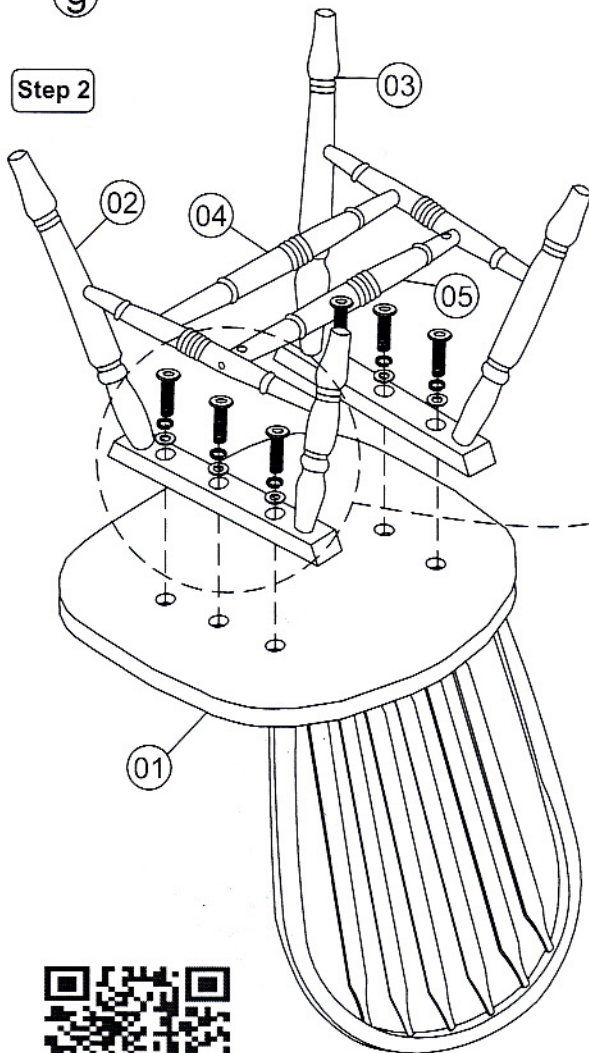
www.sunsettrading.com
info@sunsettrading.com

**Pls Check to make sure you have all parts otherwise contact local retailer or Sunset Trading customer service at 877-364-8464"

Step 1



Step 2



List of Part For 1 Chair

01		Chair Back	1
02		Base Plate R	1
03		Base Plate L	1
04		Front Stretcher	1
05		Back Stretcher	1

List of hardware For 1 Chair

a		JCBC Bolt M6 x 45mm	2
b		JCBC Bolt M6 x 30mm	6
c		Spring Washer 1/14"	6
d		Flat Washer 1/4" x 13mm	6
e		JRN Nut	2
f		Allen Key M4	1
g		Wood Button	2



Important Notes

- * Keep all hardware parts out of reach of children.
- * Must tighten screws periodically. With use screws will become loose. Check tightness of all screws every 6-8 weeks.
- * Don't attempt to repair or modify parts that are broken or defective. Please contact the store immediately.
- * Do not tighten all screw / bolt until all completely assembled.

Notes

- * Place all wooden parts on a clean and smooth surface such as a rug or carpet to avoid the parts from being scratched.
- * Check to be sure that you have all parts and hardware.
- * Remove all wrapping materials including staples & packing straps before you start to assemble.
- * Do not tighten all screws / bolts until all completely assembled.

Care And Maintenance

- * The Touch of a soft cloth is all the maintenance your wood pieces will ever need.
- * Never use harsh chemicals or abrasive cleaner as they could mark or destroy finish.

