



701 E Industrial PK Dr  
Manchester NH 03109  
877-364-8464  
www.sunsettrading.com  
info@sunsettrading.com

Sunset Trading®

a div of Sunset Furniture Intl LLC

\*\*Pls Check to make sure you have all parts otherwise contact local retailer or Sunset Trading customer service at 877-364-8464"

Thank You for purchasing this Quality product. It has been engineered for easy assembly yet constructed for durability. Please take the time to read and follow the instruction while assembling.

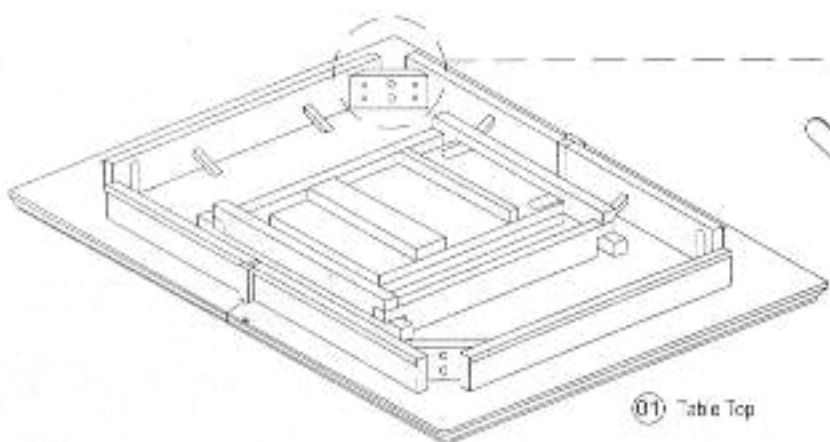
# ASSEMBLY INSTRUCTION

## Butterfly Dining Table

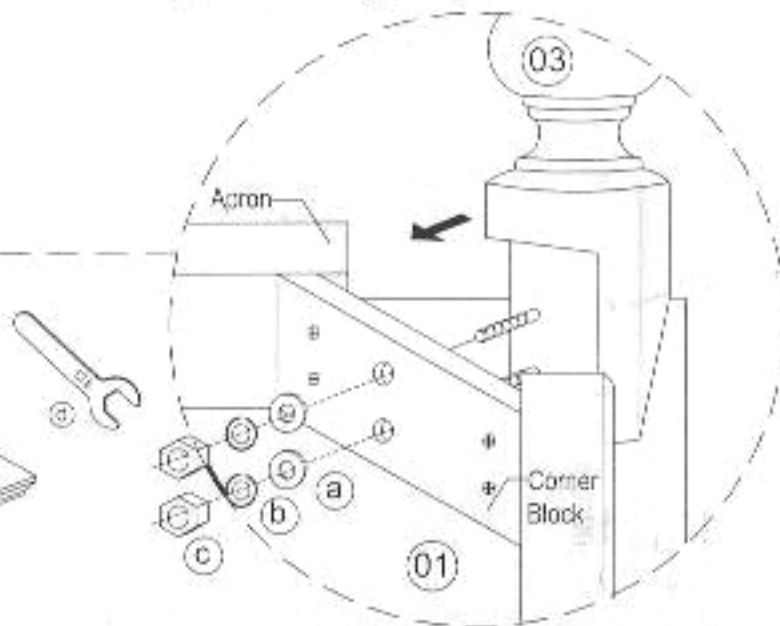
42" x 58" x 76"L x (1- 18"Leaf ) x 30"H

Model : DLU-ADW-TLB-4276-  
(DCVEB-1118)

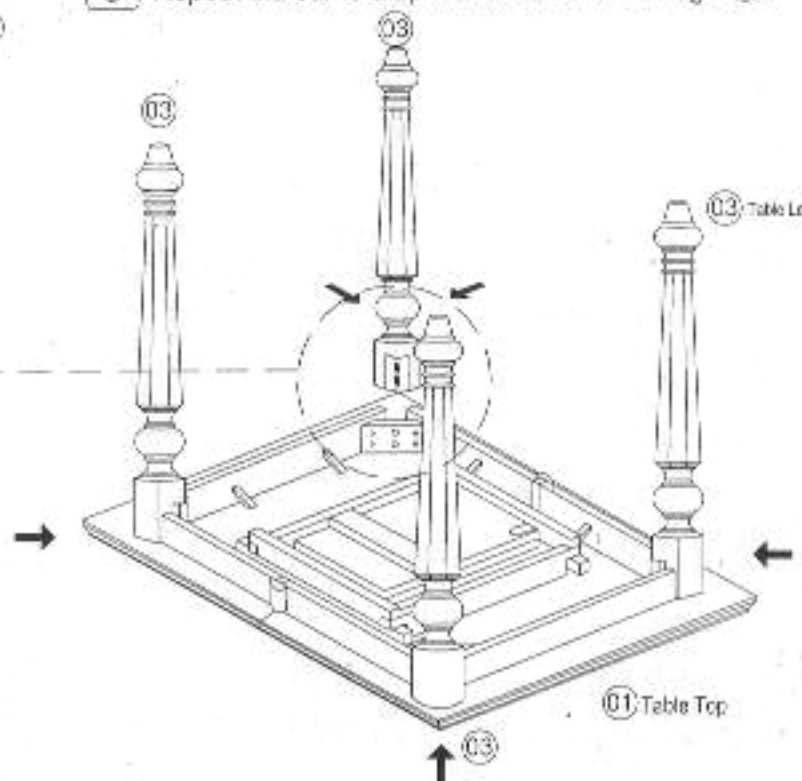
1 Turn the under side of the Table Top 01 over and place it on a clean and smooth surface such as rug or carpet to avoid the Table Top from being scratched.



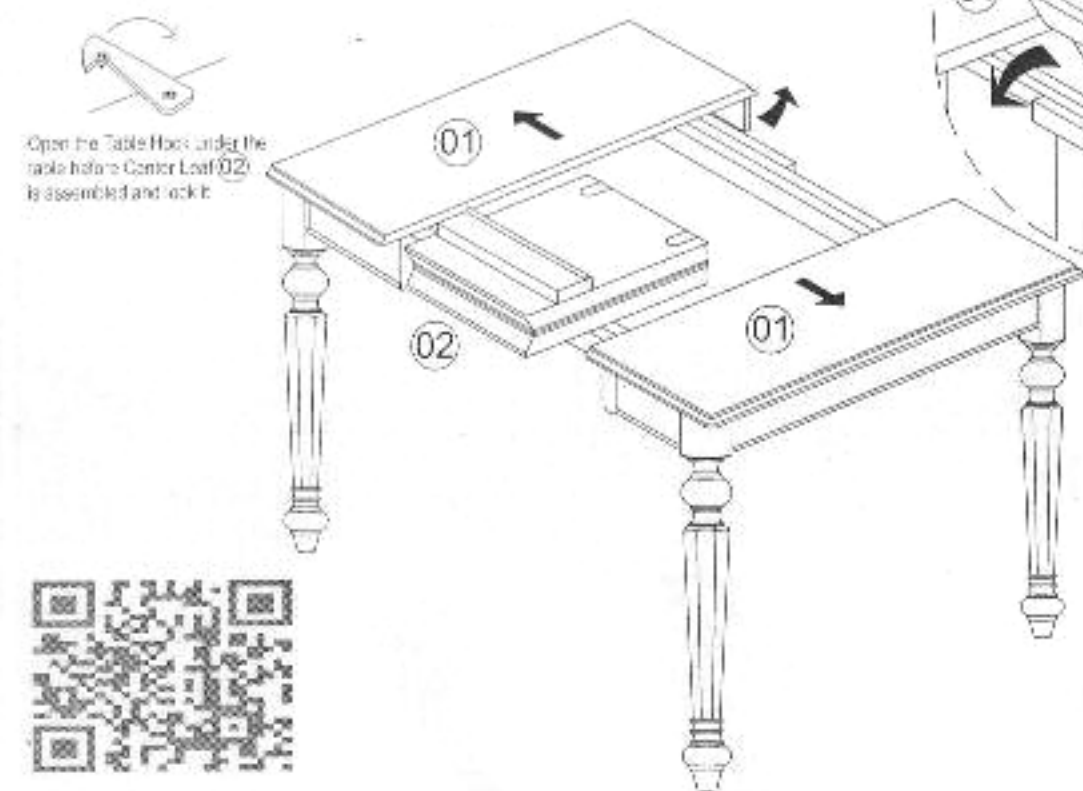
2 Fix the turned Leg 03 to the corner of the apron with the Flat Washer (a), Spring Washer (b) And Hex Nut (c) using the Spanner (d) to tighten it.



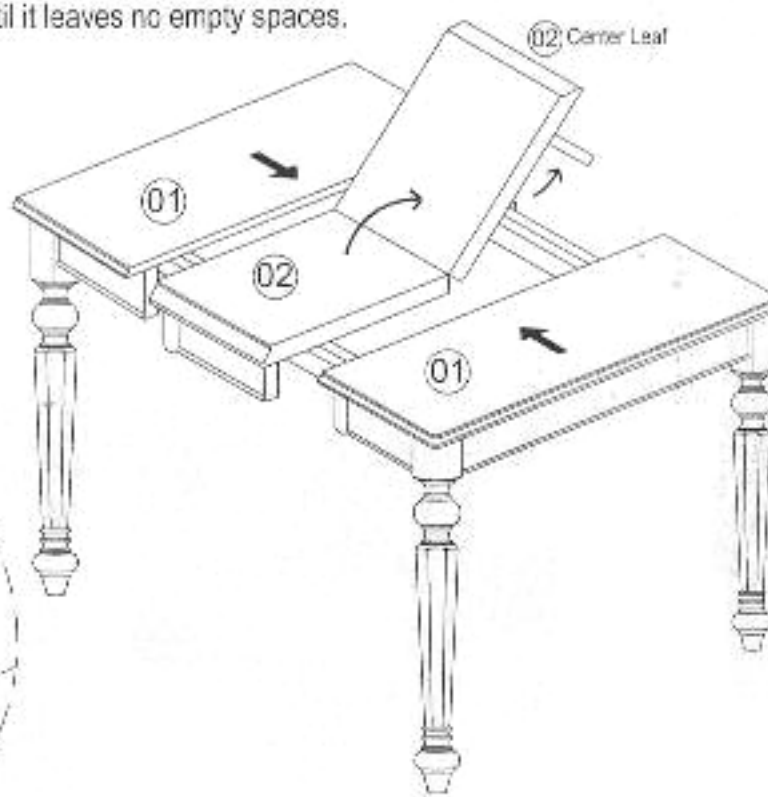
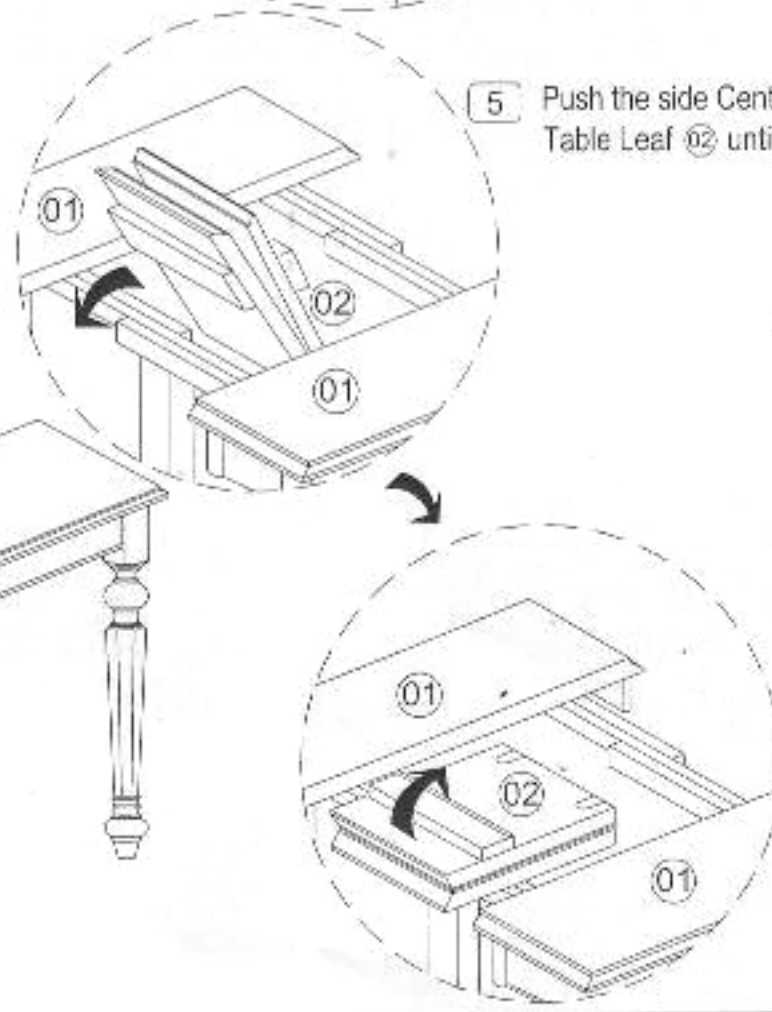
3 Repeat the same step for the other three Legs 03.



4 Turn the assembled Table over carefully, pull the Table Top 01 to both two sides then lift up the Center Leaf 02 from the compartment and turn the Center Leaf 02 to open to lie on apron.



5 Push the side Center Top 01 at both end close to the Table Leaf 02 until it leaves no empty spaces.



### List of Part For 1 Set

01		Table Top	1
02		Center Leaf	1
03		Table Leg	4

### List of hardware For 1 Set

a		Flat Washer	8
b		Spring Washer	8
c		Hexagon Nut	8
d		Spanner	1

### Important Notes

- Keep all hardware parts out of reach of children.
- Must tighten screws periodically. With use screws will become loose. Check tightness of all screws every 6-8 weeks.
- Don't attempt to repair or modify parts that are broken or defective. Please contact the store immediately.
- Do not tighten all screw / bolt until all completely assembled.





**Sunset Trading®**

a div of Sunset Furniture Intl.LLC

701 E Industrial PK Dr  
Manchester NH 03109

877-364-8464

www.sunsettrading.com

info@sunsettrading.com

\*\*Pls Check to make sure you have all parts otherwise contact local retailer or Sunset Trading customer service at 877-364-8464"

Thank You for purchasing this Quality product. It has been engineered for easy assembly yet constructed for durability. Please take the time to read and follow the instruction while assembling.

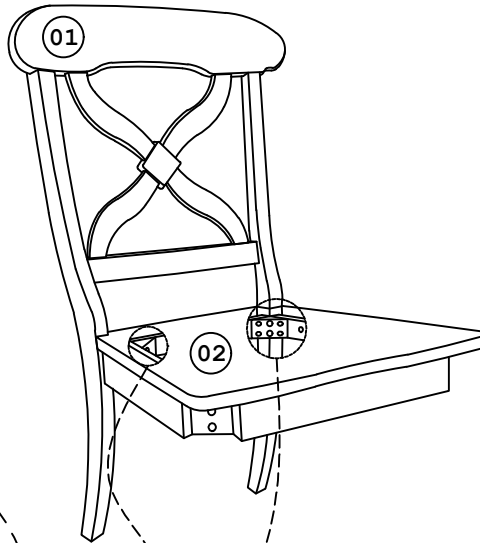
## ASSEMBLY INSTRUCTION

ANDREW X SIDE CHAIR-WOOD SEAT

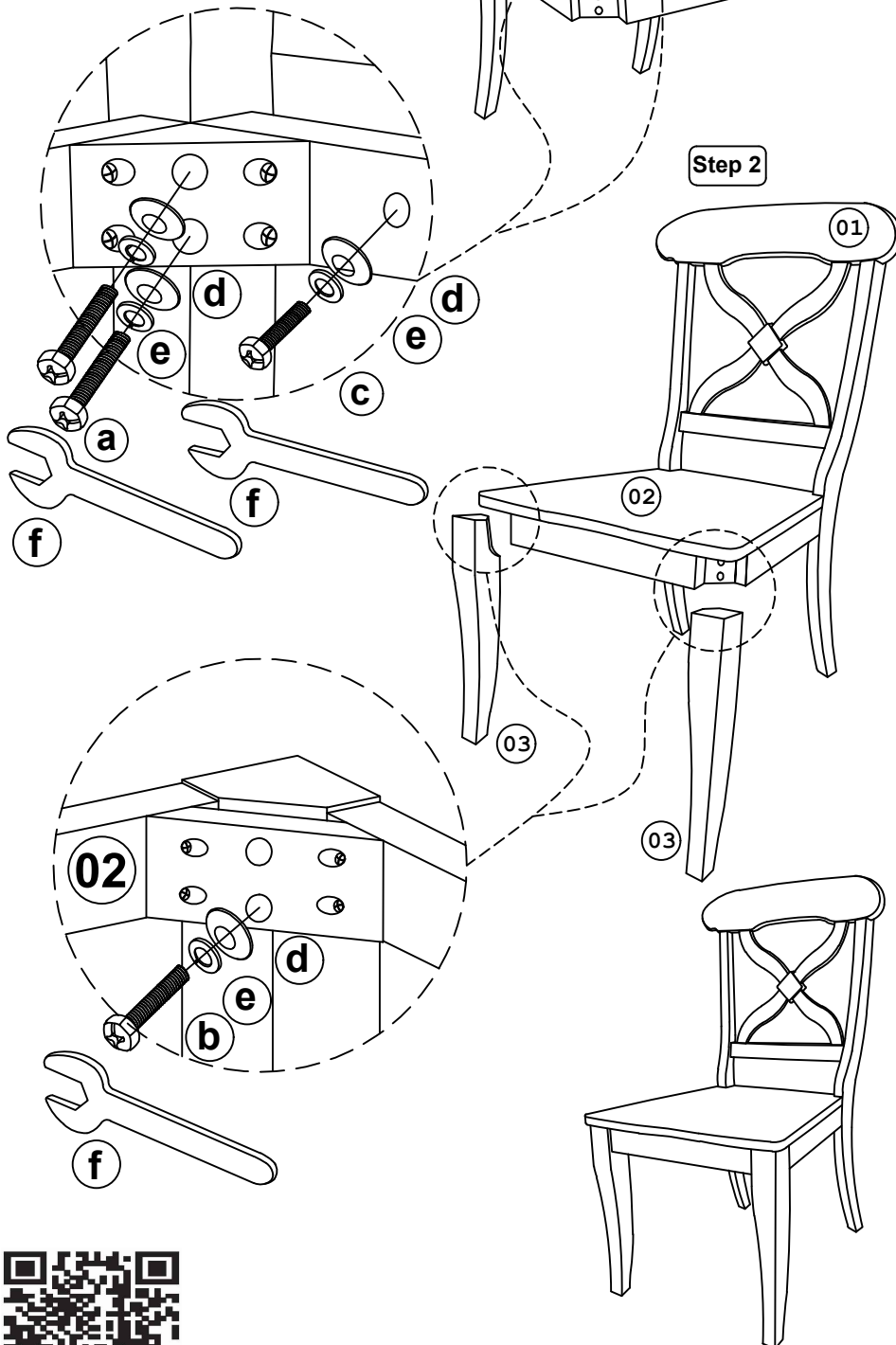
SIZE : 21 1/2" x 23 1/2" x 39" H

Model : DLU-ADW-C12WD-RTA (C-1118-RTA)

### Step 1



### Step 2



#### List of Part For 1 Set

Code	Figure	Part	Qty.
01		Chair Back	1
02		Seat Frame	1
03		Front Leg	2

#### List of hardware For 1 Set

Code	Figure	Hardware	Qty.
a		Hex. Bolt M6 x 80mm	4
b		Hex. Bolt M6 x 60mm	4
c		Hex. Bolt M6 x 40mm	2
d		Flat Washer 1/4" x 18mm	10
e		Spring Washer 1/4"	10
f		Spanner 10mm	1



#### Important Notes

- \* Keep all hardware parts out of reach of children.
- \* Must tighten screws periodically. With use screws will become loose. Check tightness of all screws every 6-8 weeks.
- \* Don't attempt to repair or modify parts that are broken or defective. Please contact the store immediately.
- \* Do not tighten all screw / bolt until all completely assembled.

#### Notes

- \* Place all wooden parts on a clean and smooth surface such as a rug or carpet to avoid the parts from being scratched.
- \* Check to be sure that you have all parts and hardware.
- \* Remove all wrapping materials including staples & packing straps before you start to assemble.
- \* Do not tighten all screws / bolts until all completely assembled.

#### Care And Maintenance

- \* The Touch of a soft cloth is all the maintenance your wood pieces will ever need.
- \* Never use harsh chemicals or abrasive cleaner as they could mark or destroy finish.



Assembly Completed !!..

MADE IN MALAYSIA



701 E Industrial PK Dr  
 Manchester NH 03109  
 877-364-8464  
 www.sunsettrading.com  
 info@sunsettrading.com

Sunset Trading<sup>®</sup>

a div of Sunset Furniture Intl.LLC

\*\*Pls Check to make sure you have all parts otherwise contact local retailer or Sunset Trading customer service at 877-364-8464"

Thank You for purchasing this Quality product. It has been engineered for easy assembly yet constructed for durability. Please take the time to read and follow the instruction while assembling.

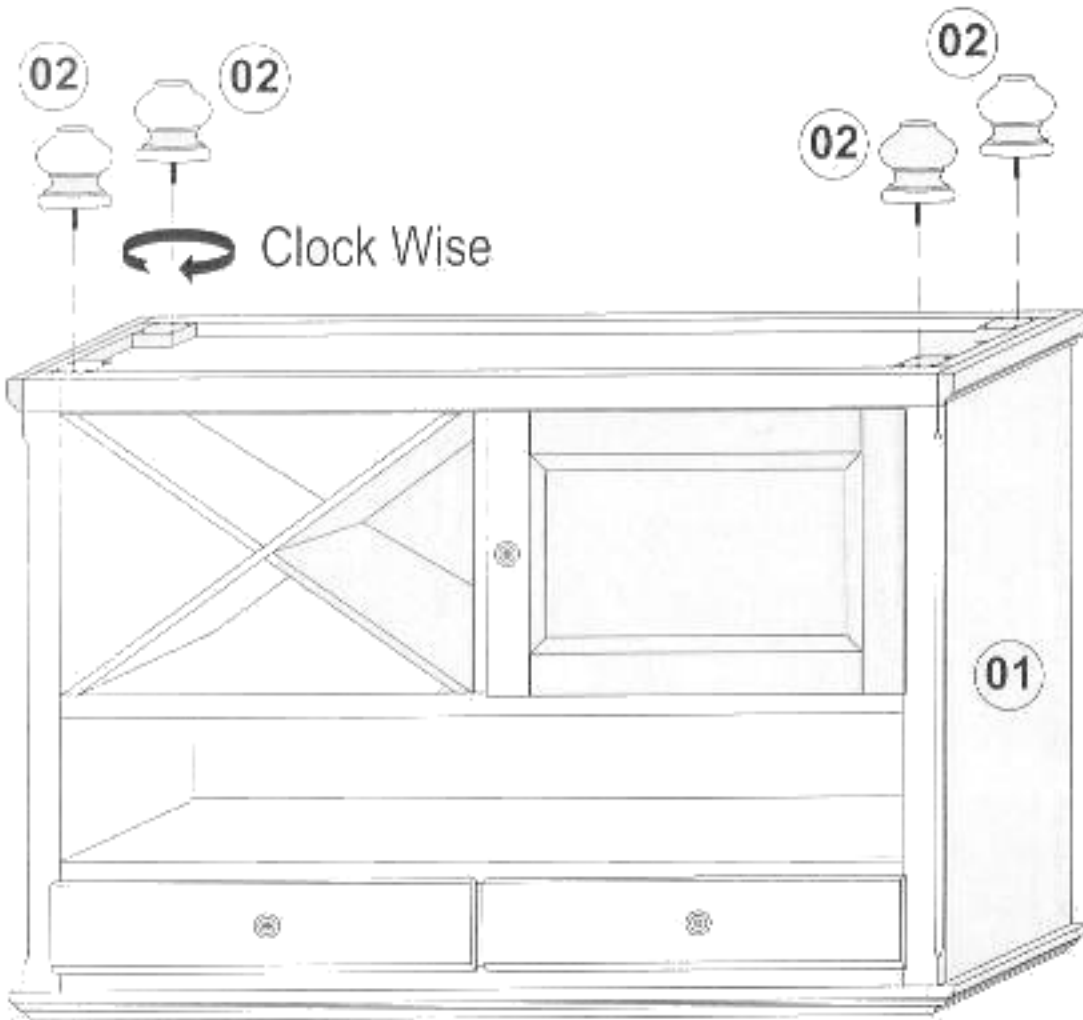
# ASSEMBLY INSTRUCTION

## SERVER

48"L x 17"D x 36 1/2"H

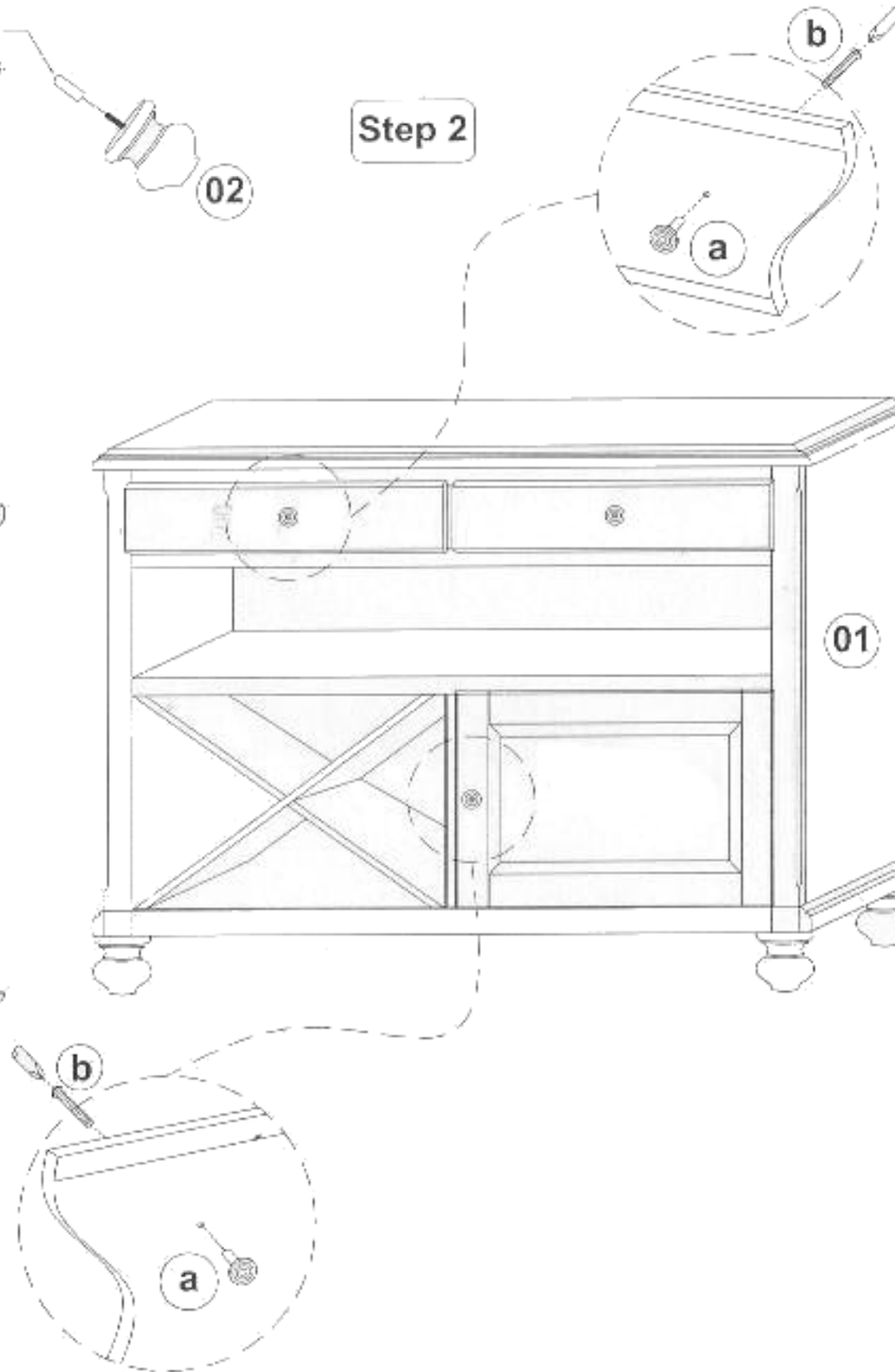
Model : DLU-ADW-SER (S-1118)

### Step 1



Remove the plastic cover from the Pedestal and Bun Leg.

### Step 2



#### List of Part For 1 Set

01		CABINET	1
02		BUN LEG	4

#### List of hardware For 1 Set

a		HANDLE	3
b		TMS SCREW 5/32" x 25mm	3

#### ⚠ Important Notes

- ✦ Keep all hardware parts out of reach of children.
- ✦ Must tighten screws periodically. With use screws will become loose. Check tightness of all screws every 6-8 weeks.
- ✦ Don't attempt to repair or modify parts that are broken or defective. Please contact the store immediately.
- ✦ Do not tighten all screw / bolt until all completely assembled.

