



701 E Industrial PK Dr
Manchester NH 03109
877-364-8464
www.sunsettrading.com
info@sunsettrading.com

Sunset Trading

a div of Sunset Furniture Intl LLC

**Pls Check to make sure you have all parts otherwise contact local retailer or Sunset Trading customer service at 877-364-8464"

Thank You for purchasing this Quality product. It has been engineered for easy assembly yet constructed for durability. Please take the time to read and follow the instruction while assembling.

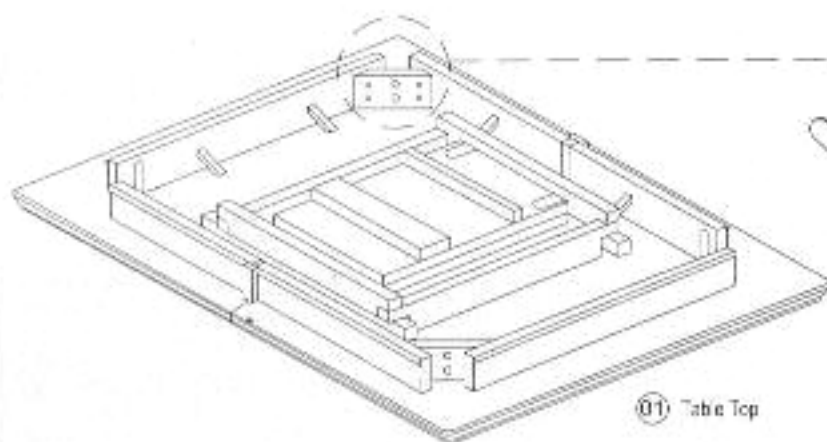
ASSEMBLY INSTRUCTION

Butterfly Dining Table

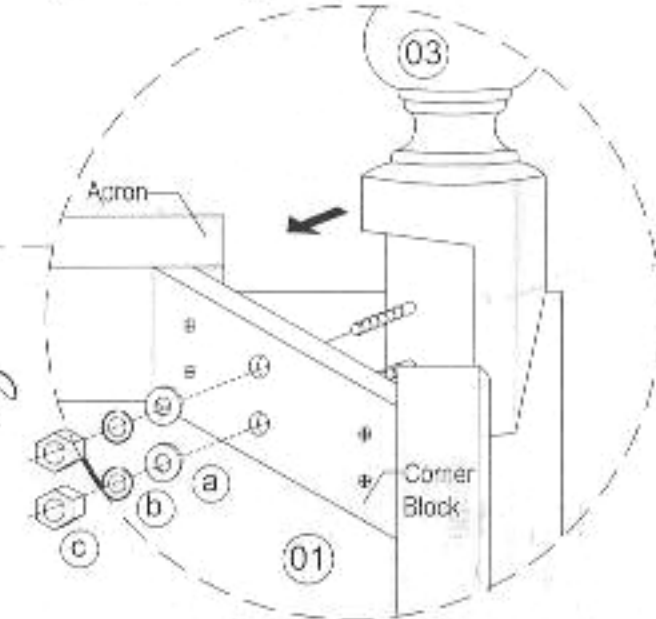
42" x 58" x 76"L x (1- 18"Leaf) x 30"H

Model : DLU-ADW-TLB-4276-
(DCVEB-1118)

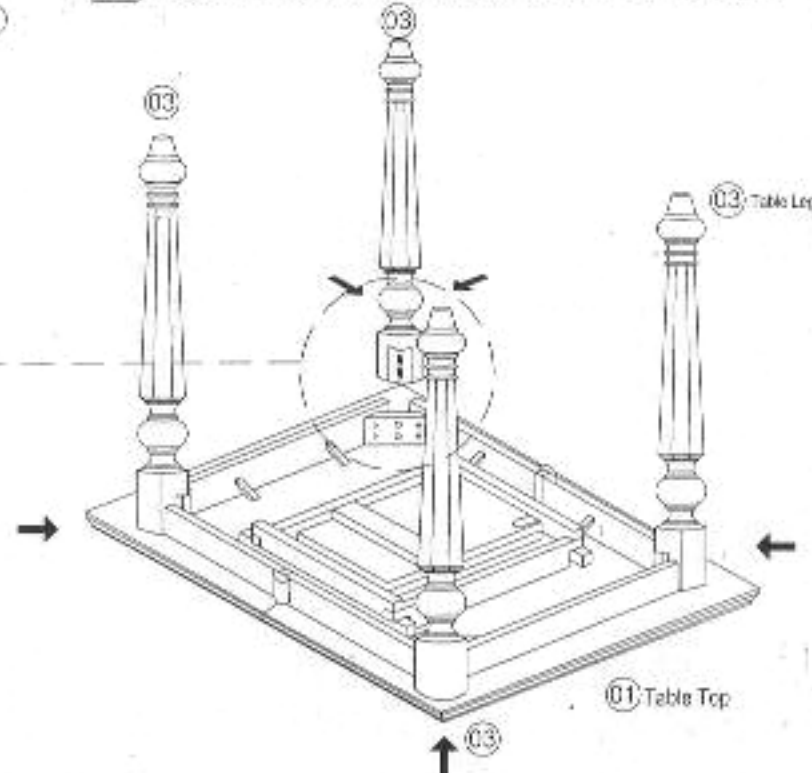
1 Turn the under side of the Table Top 01 over and place it on a clean and smooth surface such as rug or carpet to avoid the Table Top from being scratched.



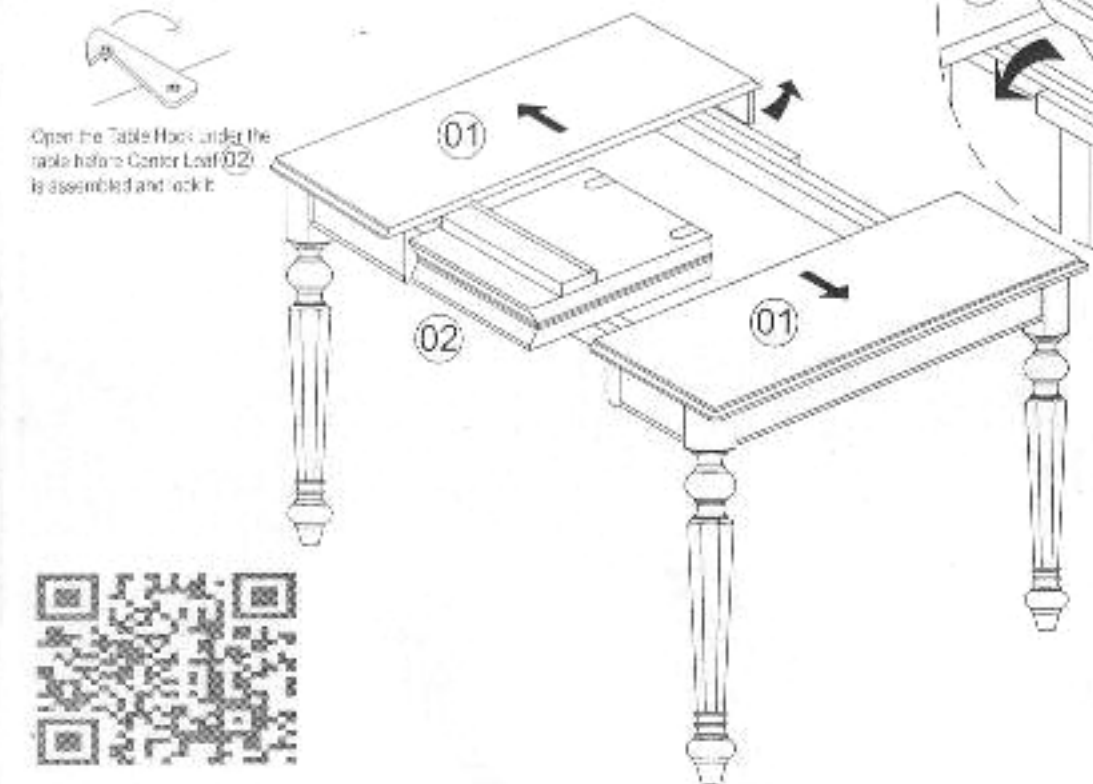
2 Fix the turned Leg 03 to the corner of the apron with the Flat Washer (a), Spring Washer (b) And Hex Nut (c) using the Spanner (d) to tighten it.



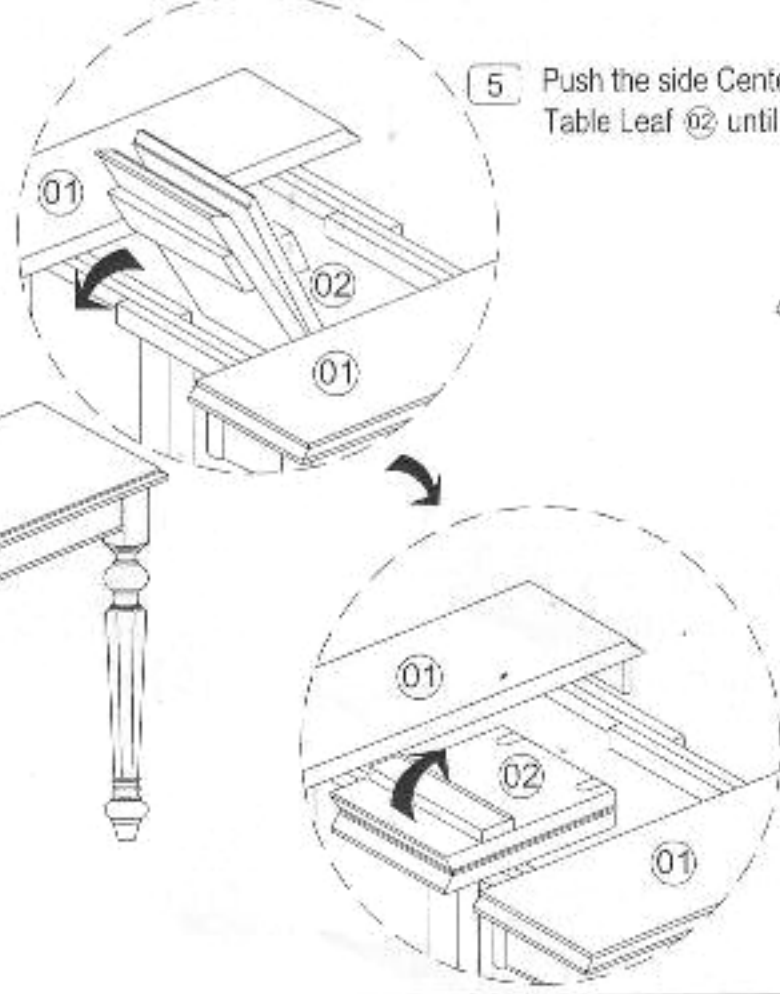
3 Repeat the same step for the other three Legs 03.



4 Turn the assembled Table over carefully, pull the Table Top 01 to both two sides then lift up the Center Leaf 02 from the compartment and turn the Center Leaf 02 to open to lie on apron.



5 Push the side Center Top 01 at both end close to the Table Leaf 02 until it leaves no empty spaces.



List of Part For 1 Set

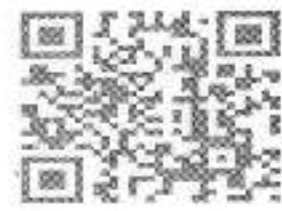
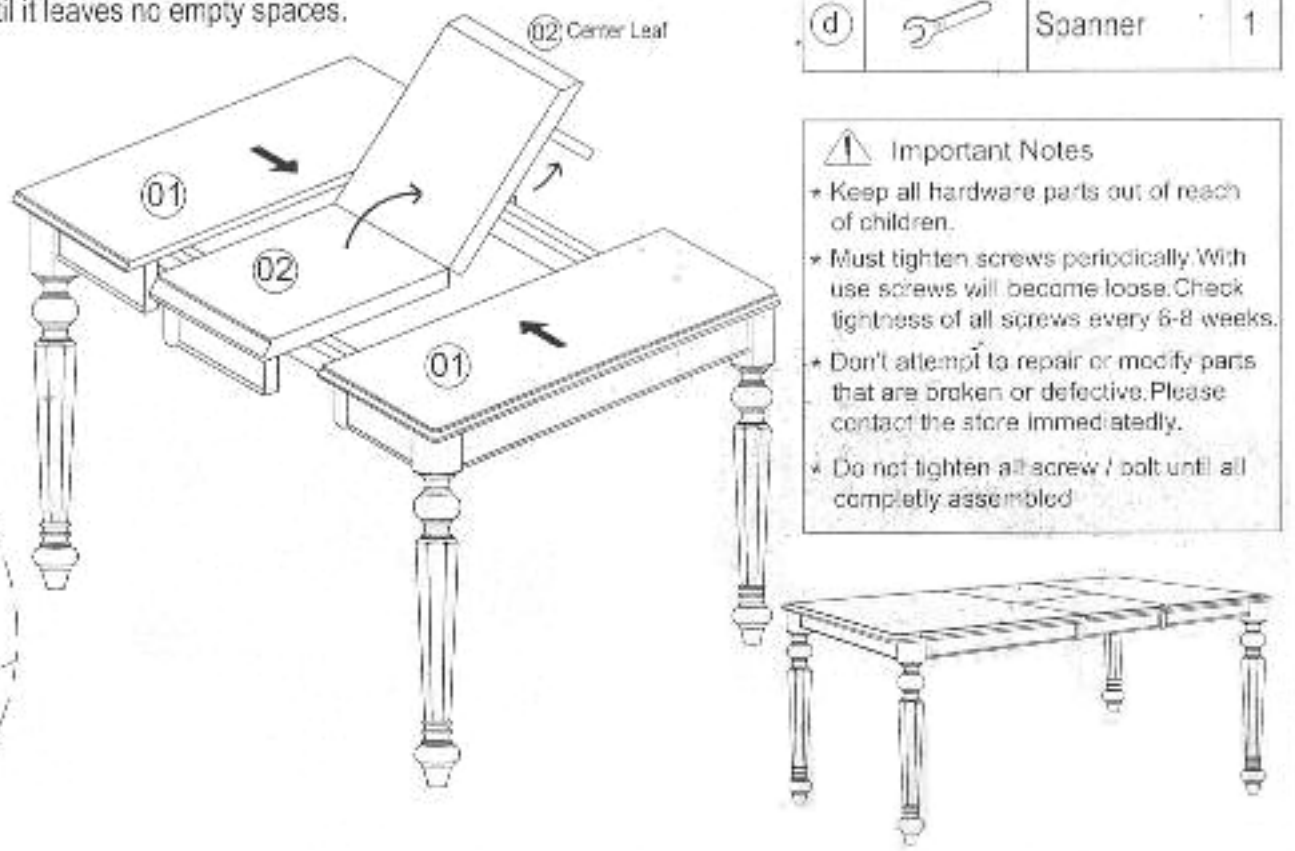
01		Table Top	1
02		Center Leaf	1
03		Table Leg	4

List of hardware For 1 Set

a		Flat Washer	8
b		Spring Washer	8
c		Hexagon Nut	8
d		Spanner	1

Important Notes

- Keep all hardware parts out of reach of children.
- Must tighten screws periodically. With use screws will become loose. Check tightness of all screws every 6-8 weeks.
- Don't attempt to repair or modify parts that are broken or defective. Please contact the store immediately.
- Do not tighten all screw / bolt until all completely assembled.





Sunset Trading®
a div of Sunset Furniture Intl.LLC

701 E Industrial PK Dr
Manchester NH 03109
877-364-8464
www.sunsettrading.com
info@sunsettrading.com

**Pls Check to make sure you have all parts otherwise contact local retailer or Sunset Trading customer service at 877-364-8464"

Thank You for purchasing this Quality product. It has been engineered for easy assembly yet constructed for durability. Please take the time to read and follow the instruction while assembling.

ASSEMBLY INSTRUCTION

SIDEBOARD WITH BOTTOM SHELF

MODEL : DLU-1122-SB-BCH (S2018)

SIZE : 54"L x 18"W x 36"H

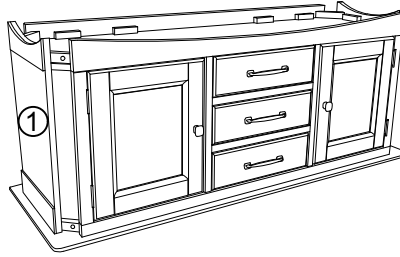
List of Part For 1 Set

Code	Figure	Part	Qty.
①		Cabinet	1
②		Front Leg	2
③		Back Leg	2
④		Bottom Shelf	1
⑤		Wood Rod	1

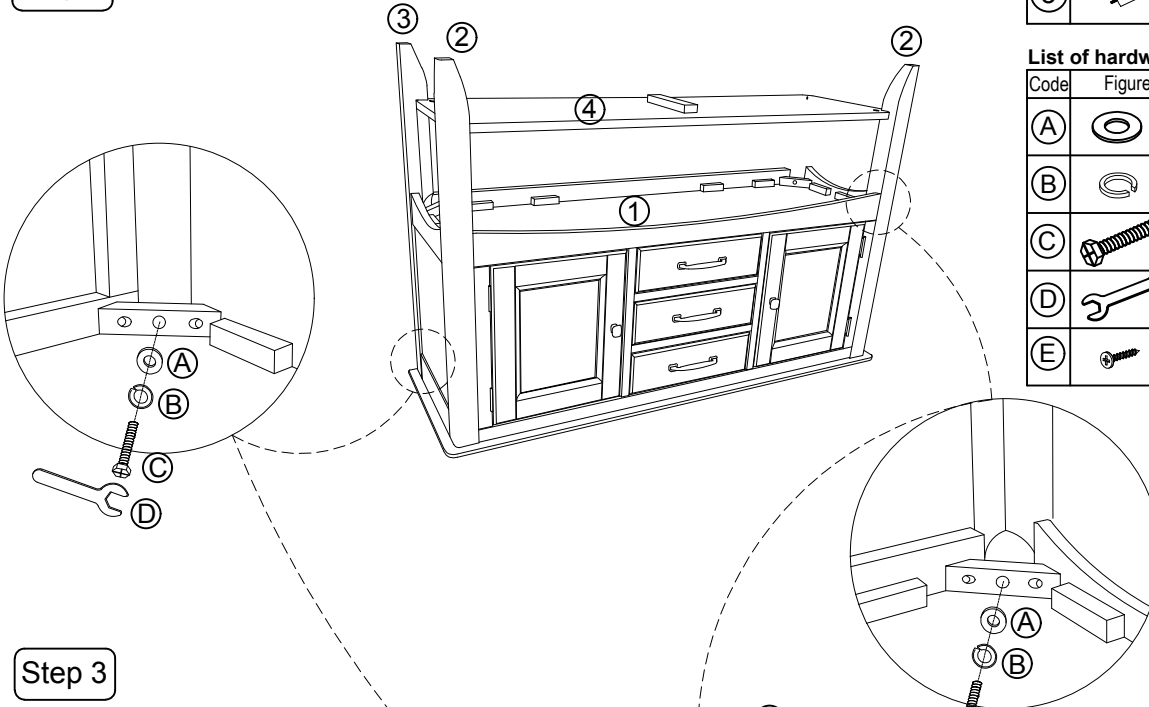
List of hardware For 1 Set

Code	Figure	Hardware	Qty.
A		Flat washer $\frac{5}{16}$ " x 18mm	8
B		Spring washer $\frac{5}{16}$ "	8
C		Hex.Com Bolt $\frac{5}{16}$ " x 2"	8
D		Spanner 12.8mm	1
E		PHRS Screw #8 x 1 $\frac{1}{2}$ "	4

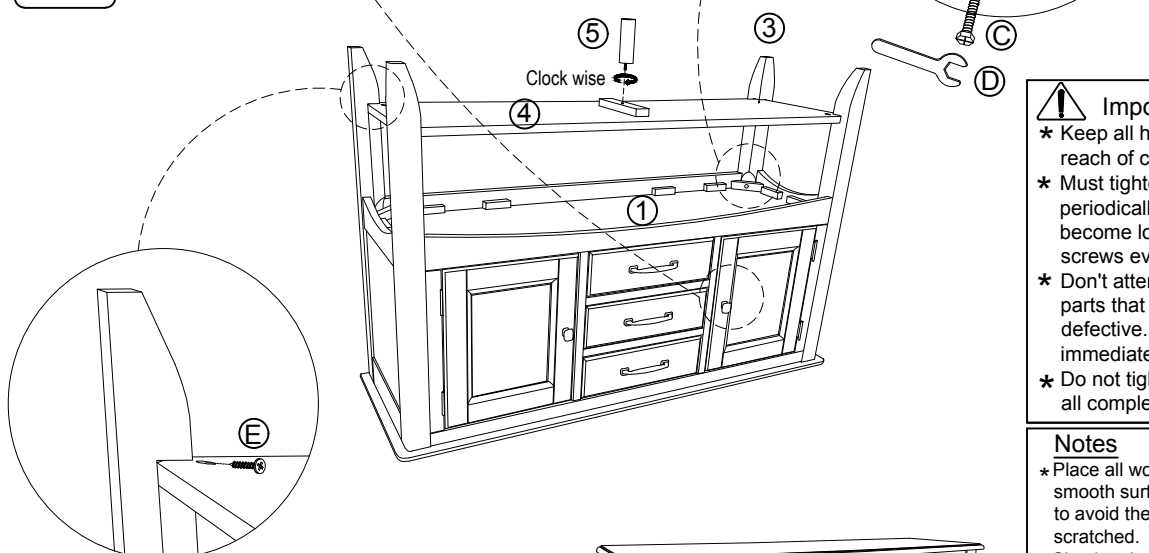
Step 1



Step 2



Step 3



⚠ Important Notes

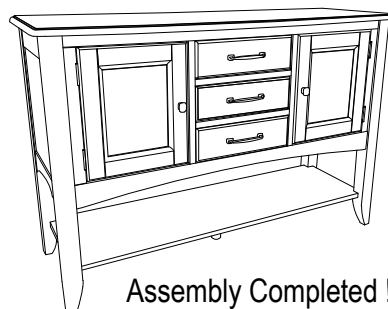
- * Keep all hardware parts out of reach of children.
- * Must tighten screws periodically. With use screws will become loose. Check tightness of all screws every 6-8 weeks.
- * Don't attempt to repair or modify parts that are broken or defective. Please contact the store immediately.
- * Do not tighten all screw / bolt until all completely assembled.

Notes

- * Place all wooden parts on a clean and smooth surface such as a rug or carpet to avoid the parts from being scratched.
- * Check to be sure that you have all parts and hardware.
- * Remove all wrapping materials including staples & packing straps before you start to assemble.

Care And Maintenance

- * The Touch of a soft cloth is all the maintenance your wood pieces will ever need.
- * Never use harsh chemicals or abrasive cleaner as they could mark or destroy finish.



Assembly Completed !!

