



701 E Industrial PK Dr  
Manchester NH 03109  
877-364-8464  
www.sunsettrading.com  
info@sunsettrading.com

Sunset Trading<sup>®</sup>

a div of Sunset Furniture Intl LLC

# ASSEMBLY INSTRUCTION

## Butterfly Dining Table

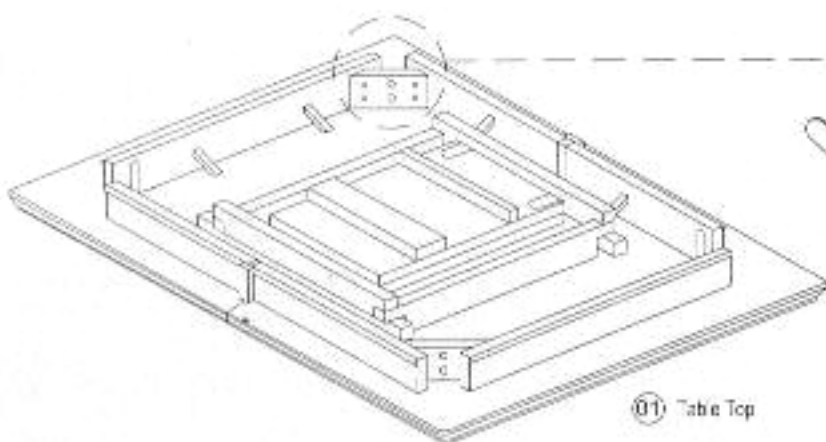
42" x 58" x 76"L x (1- 18"Leaf ) x 30"H

\*\*Pls Check to make sure you have all parts otherwise contact local retailer or Sunset Trading customer service at 877-364-8464"

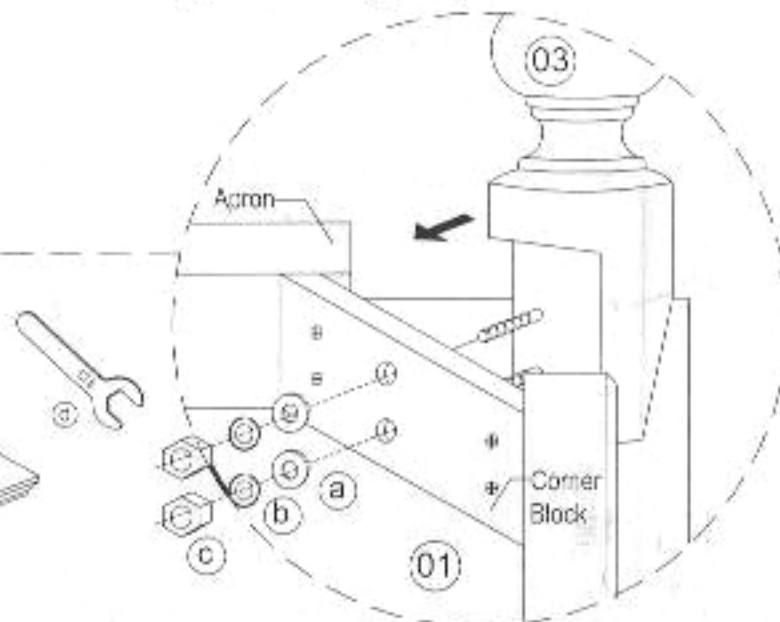
Thank You for purchasing this Quality product. It has been engineered for easy assembly yet constructed for durability. Please take the time to read and follow the instruction while assembling.

Model : DLU-ADW-TLB-4276-  
(DCVEB-1118)

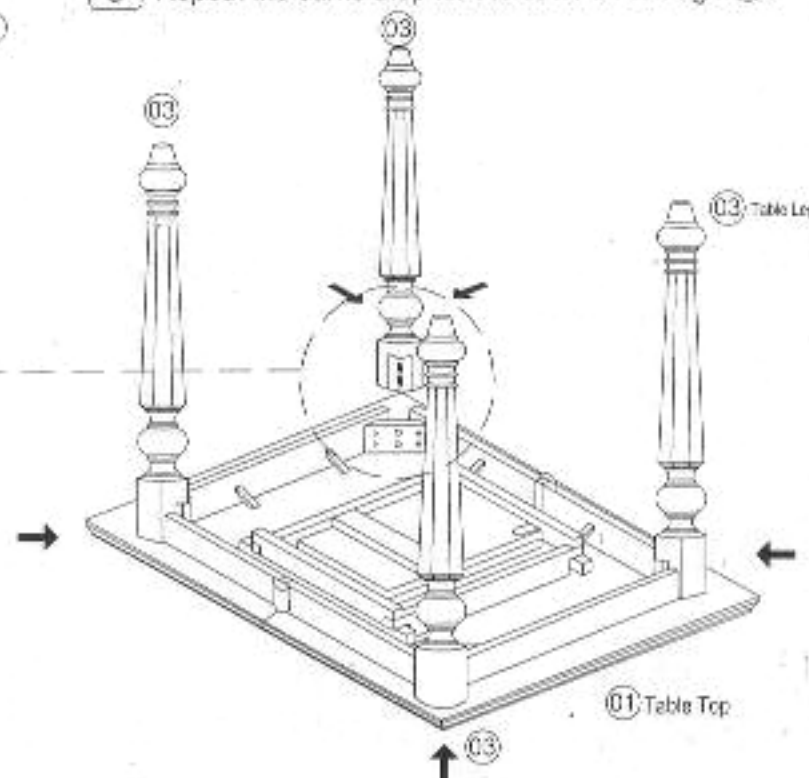
1 Turn the under side of the Table Top 01 over and place it on a clean and smooth surface such as rug or carpet to avoid the Table Top from being scratched.



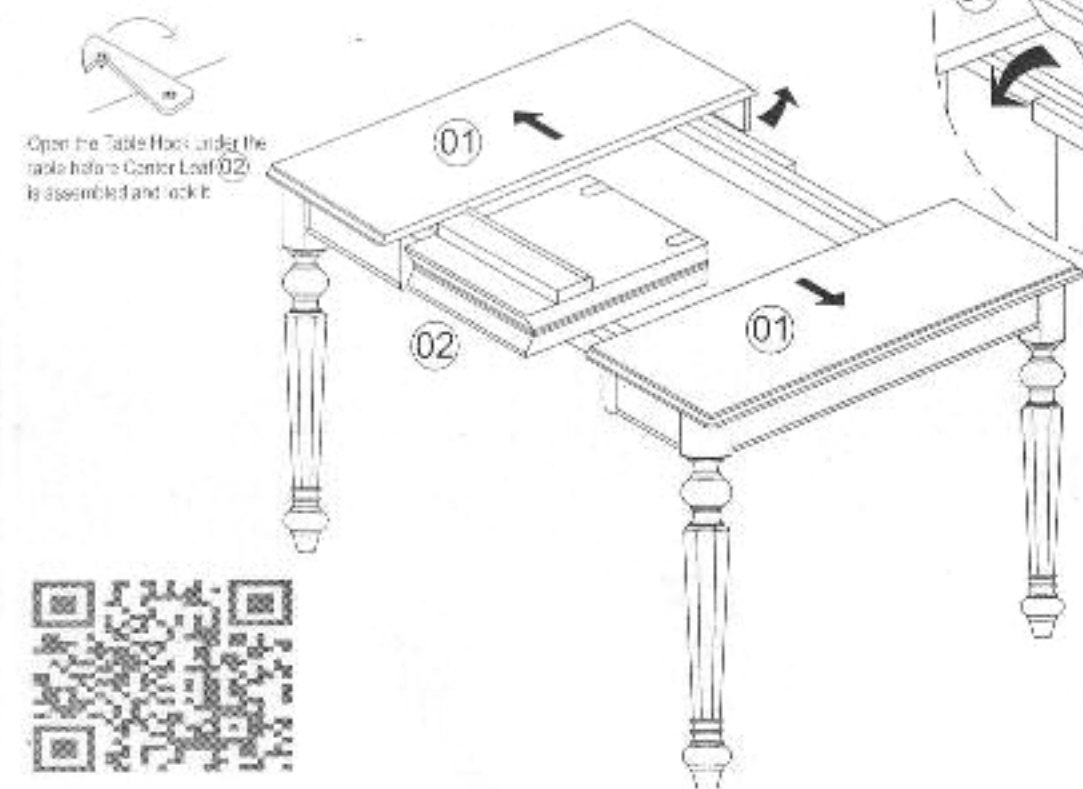
2 Fix the turned Leg 03 to the corner of the apron with the Flat Washer (a), Spring Washer (b) And Hex Nut (c) using the Spanner (d) to tighten it.



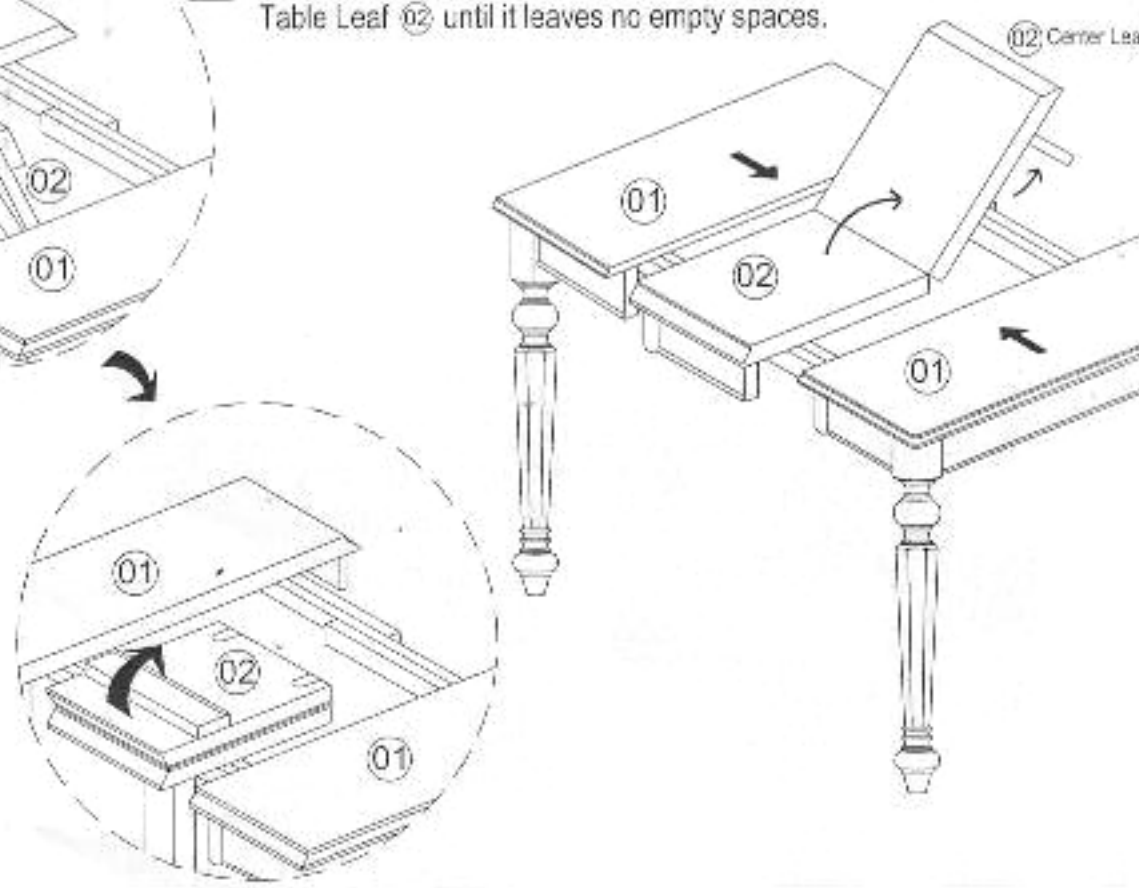
3 Repeat the same step for the other three Legs 03.



4 Turn the assembled Table over carefully, pull the Table Top 01 to both two sides then lift up the Center Leaf 02 from the compartment and turn the Center Leaf 02 to open to lie on apron.



5 Push the side Center Top 01 at both end close to the Table Leaf 02 until it leaves no empty spaces.



### List of Part For 1 Set

01		Table Top	1
02		Center Leaf	1
03		Table Leg	4

### List of hardware For 1 Set

a		Flat Washer	8
b		Spring Washer	8
c		Hexagon Nut	8
d		Spanner	1

### Important Notes

- Keep all hardware parts out of reach of children.
- Must tighten screws periodically With use screws will become loose. Check tightness of all screws every 6-8 weeks.
- Don't attempt to repair or modify parts that are broken or defective. Please contact the store immediately.
- Do not tighten all screw / bolt until all completely assembled

