



**Sunset Trading®**

a div of Sunset Furniture Intl.LLC

701 E Industrial PK Dr  
Manchester NH 03109

877-364-8464

www.sunsettrading.com

info@sunsettrading.com

\*\*Pls Check to make sure you have all parts otherwise contact local retailer or Sunset Trading customer service at 877-364-8464\*\*

Thank You for purchasing this Quality product. It has been engineered for easy assembly yet constructed for durability. Please take the time to read and follow the instruction while assembling.

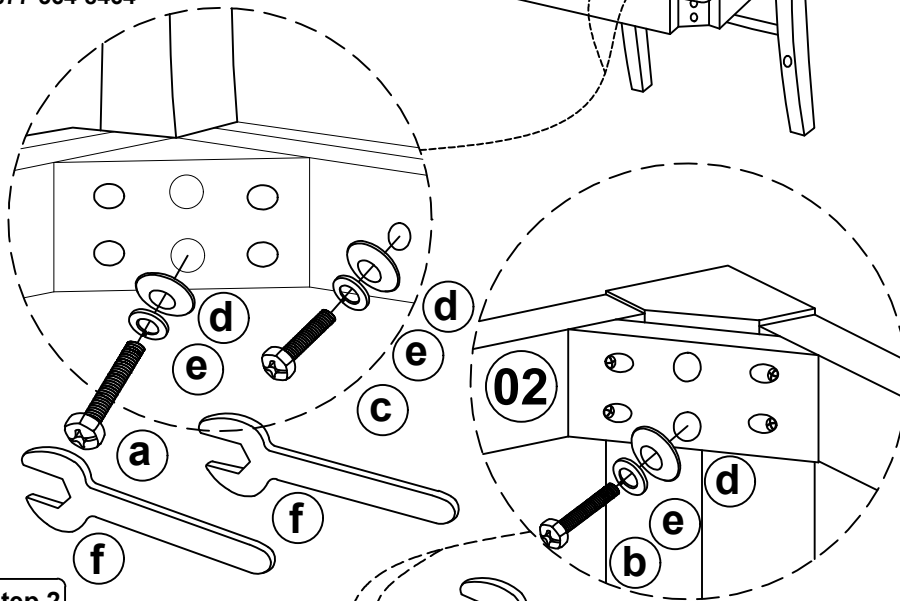
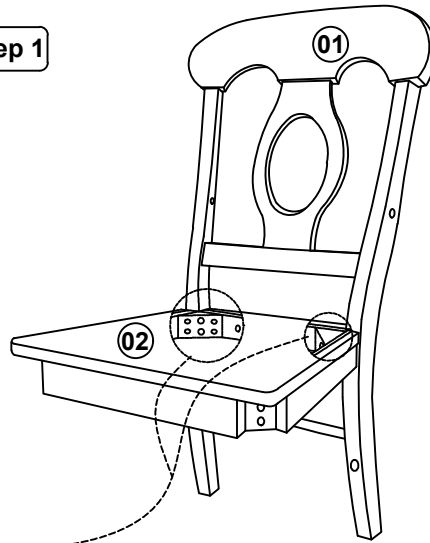
# ASSEMBLY INSTRUCTION

## NAPOLEON ARM CHAIR WOOD SEAT

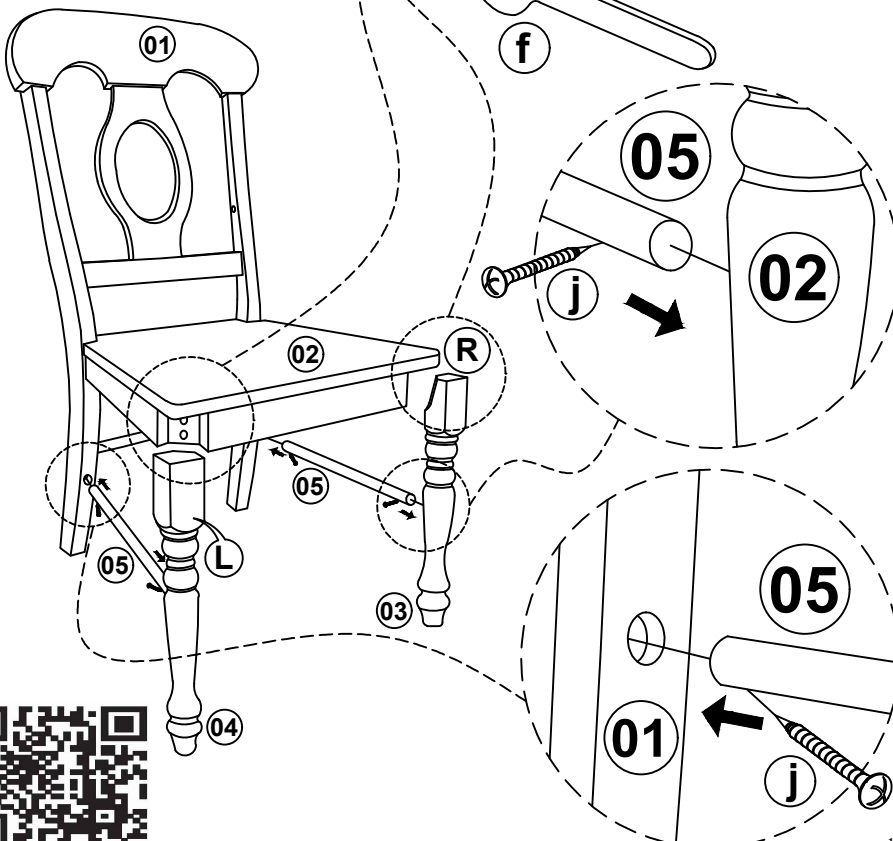
SIZE : 18" x 22" x 38" H

Model : DLU-ADW-C50-A-RTA (C-1309-ARTA)

### Step 1



### Step 2



### List of Part For 1 Set

Code	Figure	Part	Qty.
01		Back Frame	1
02		Seat	1
03		Front Leg (R)	1
04		Front Leg (L)	1
05		Side Stretcher	2
06		Arm (R)	1
07		Arm (L)	1

### List of hardware For 1 Set

Code	Figure	Hardware	Qty.
a		Hex.Bolt M6 x 80mm	4
b		Hex.Bolt M6 x 60mm	4
c		Hex.Bolt M6 x 40mm	4
d		Flat Washer 1/4" x 18 mm	12
e		Spring Washer 1/4"	12
f		Spanner 10 mm	1
g		JCBC Bolt M6 x 35mm	2
h		Allen Key M4	1
i		Wood Button 13.5 x 7mm	2
j		PHRS Screw #8 x 1 1/4"	4



### Important Notes

- \* Keep all hardware parts out of reach of children.
- \* Must tighten screws periodically. With use screws will become loose. Check tightness of all screws every 6-8 weeks.
- \* Don't attempt to repair or modify parts that are broken or defective. Please contact the store immediately.
- \* Do not tighten all screw / bolt until all completely assembled.

### Notes

- \* Place all wooden parts on a clean and smooth surface such as a rug or carpet to avoid the parts from being scratched.
- \* Check to be sure that you have all parts and hardware.
- \* Remove all wrapping materials including staples & packing straps before you start to assemble.
- \* Do not tighten all screws / bolts until all completely assembled.

### Care And Maintenance

- \* The Touch of a soft cloth is all the maintenance your wood pieces will ever need.
- \* Never use harsh chemicals or abrasive cleaner as they could mark or destroy finish.





**Sunset Trading®**

a div of Sunset Furniture Intl.LLC

701 E Industrial PK Dr  
Manchester NH 03109

877-364-8464

www.sunsettrading.com

info@sunsettrading.com

\*\*Pls Check to make sure you have all parts otherwise contact local retailer or Sunset Trading customer service at 877-364-8464"

Thank You for purchasing this Quality product. It has been engineered for easy assembly yet constructed for durability. Please take the time to read and follow the instruction while assembling.

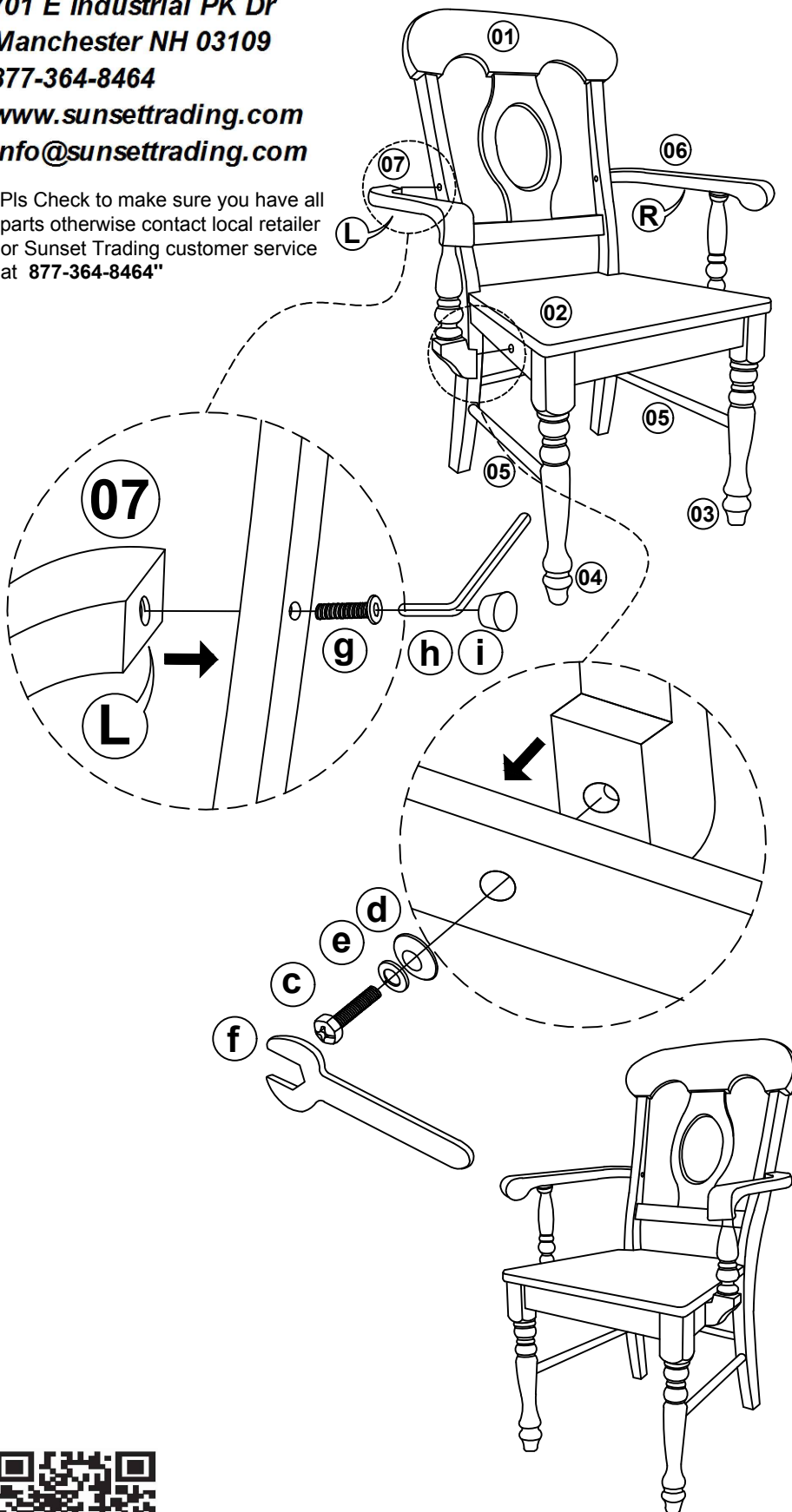
# ASSEMBLY INSTRUCTION

## NAPOLEON ARM CHAIR WOOD SEAT

SIZE : 18" x 22" x 38" H

Model : DLU-ADW-C50-A-RTA (C-1309-ARTA)

### Step 3



Assembly Completed !!...

### List of Part For 1 Set

Code	Figure	Part	Qty.
01		Back Frame	1
02		Seat	1
03		Front Leg (R)	1
04		Front Leg (L)	1
05		Side Stretcher	2
06		Arm (R)	1
07		Arm (L)	1

### List of hardware For 1 Set

Code	Figure	Hardware	Qty.
a		Hex.Bolt M6 x 80mm	4
b		Hex.Bolt M6 x 60mm	4
c		Hex.Bolt M6 x 40mm	4
d		Flat Washer 1/4" x 18 mm	12
e		Spring Washer 1/4"	12
f		Spanner 10 mm	1
g		JCBC Bolt M6 x 35mm	2
h		Allen Key M4	1
i		Wood Button 13.5 x 7mm	2
j		PHRS Screw #8 x 1 1/4"	4



### Important Notes

- \* Keep all hardware parts out of reach of children.
- \* Must tighten screws periodically. With use screws will become loose. Check tightness of all screws every 6-8 weeks.
- \* Don't attempt to repair or modify parts that are broken or defective. Please contact the store immediately.
- \* Do not tighten all screw / bolt until all completely assembled.

### Notes

- \* Place all wooden parts on a clean and smooth surface such as a rug or carpet to avoid the parts from being scratched.
- \* Check to be sure that you have all parts and hardware.
- \* Remove all wrapping materials including staples & packing straps before you start to assemble.
- \* Do not tighten all screws / bolts until all completely assembled.

### Care And Maintenance

- \* The Touch of a soft cloth is all the maintenance your wood pieces will ever need.
- \* Never use harsh chemicals or abrasive cleaner as they could mark or destroy finish.

