



Thank You for purchasing this Quality product. It has been engineered for easy assembly yet constructed for durability. Please take the time to read and follow the instruction while assembling.

**ASSEMBLY INSTRUCTION**  
**WINDSOR STOOL**  
 Model : DLU-CG-B3024-GO-A-RTA  
 (CS1302RTA)

Size : 23 1/2" X 21 1/4" x 41 1/4" H

List of Part For 1 Set

Code	Figure	Part	Qty.
①		Chair Back	1
②		Right Leg Set (FR)	1
③		Left Leg Set (FL)	1
④		Front Stretcher	2

List of hardware For 1 Set

Code	Figure	Hardware	Qty.
A		JCBC Bolt M6 x 30mm	6
B		JCBC Bolt M6 x 45mm	4
C		JRN Nut	4
D		Wood Button	4
E		Spring Washer 1/4"	6
F		Flat Washer 1/4" x 13mm	6
G		Allen Key	1

**! Important Notes**

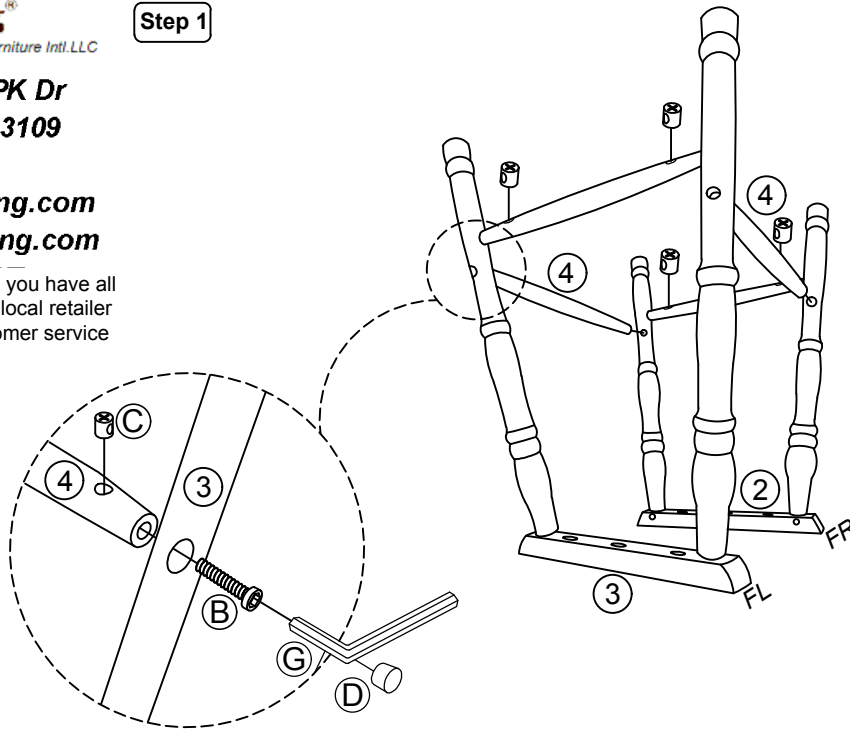
- \* Keep all hardware parts out of reach of children.
- \* Must tighten screws periodically. With use screws will become loose. Check tightness of all screws every 6-8 weeks.
- \* Don't attempt to repair or modify parts that are broken or defective. Please contact the store immediately.
- \* Do not tighten all screw / bolt until all completely assembled.

- Notes**
- \* Place all wooden parts on a clean and smooth surface such as a rug or carpet to avoid the parts from being scratched.
  - \* Check to be sure that you have all parts and hardware.
  - \* Remove all wrapping materials including staples & packing straps before you start to assemble.
  - \* Do not tighten all screws / bolts until all completely assembled.

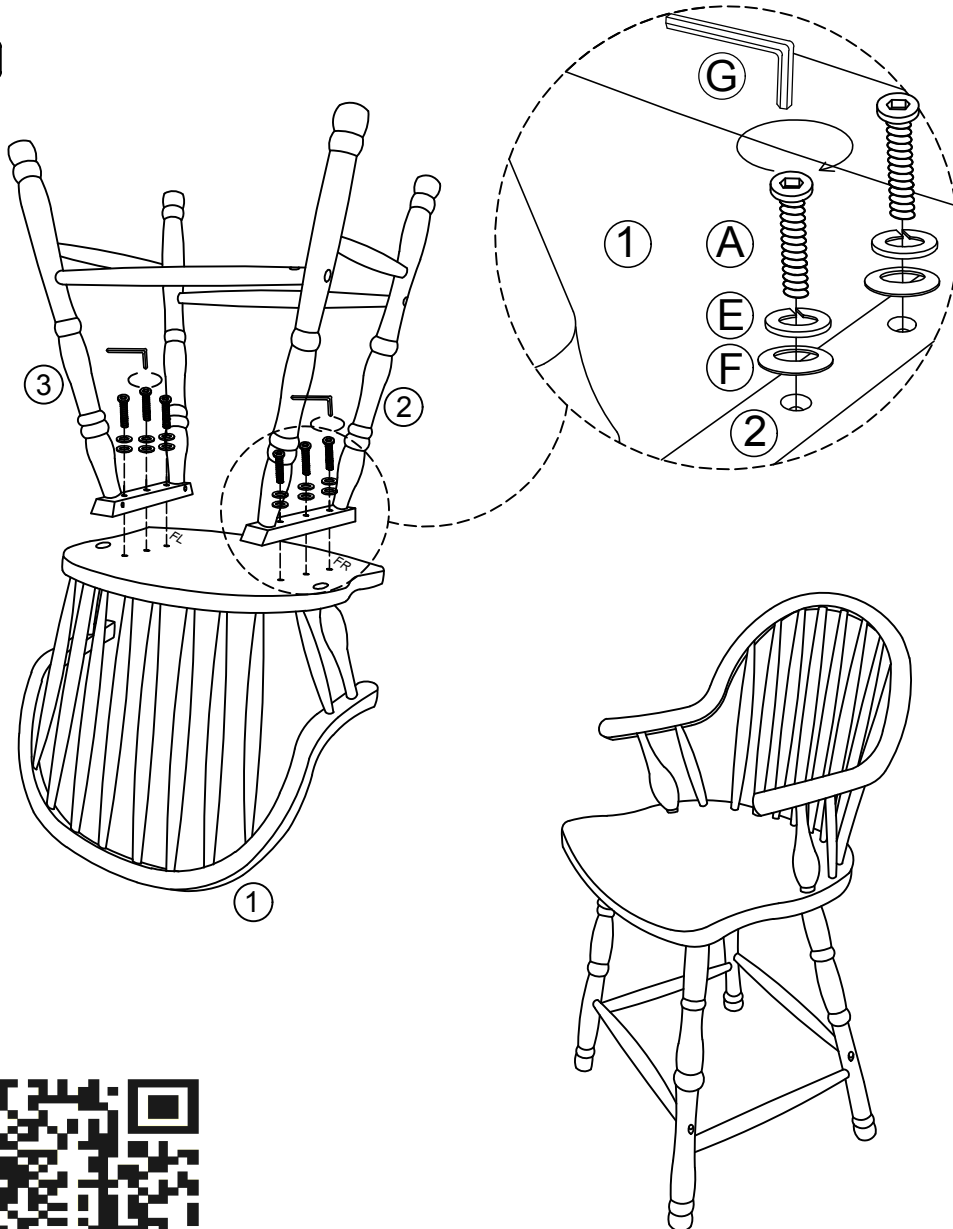
**Care And Maintenance**

- \* The Touch of a soft cloth is all the maintenance your wood pieces will ever need.
- \* Never use harsh chemicals or abrasive cleaner as they could mark or destroy finish.

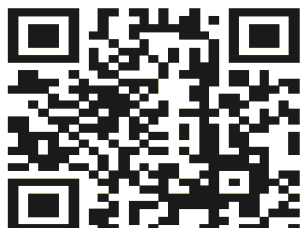
**Step 1**



**Step 2**



Assembly Completed !!.



**Sunset Trading®**  
 a div of Sunset Furniture Intl.LLC  
 701 E Industrial PK Dr  
 Manchester NH 03109  
 877-364-8464  
 www.sunsettrading.com  
 info@sunsettrading.com

\*\*Pls Check to make sure you have all parts otherwise contact local retailer or Sunset Trading customer service at 877-364-8464"