





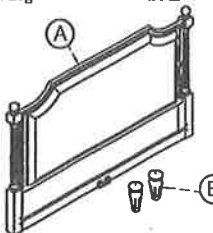
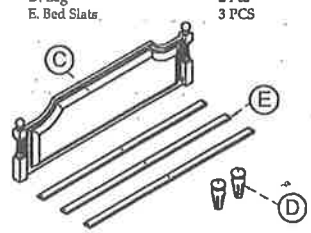
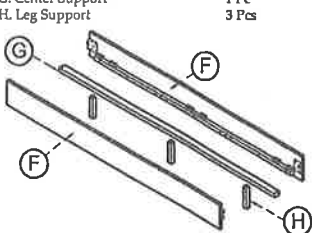
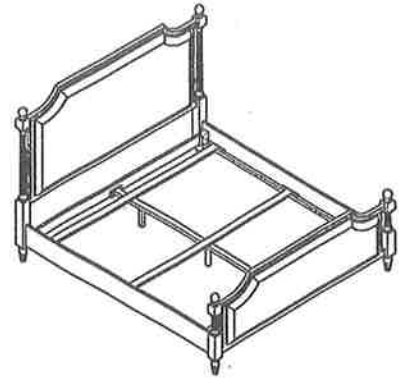


Grey Summit King/ Queen Bed Assembly Instructions

Made in Viet Nam

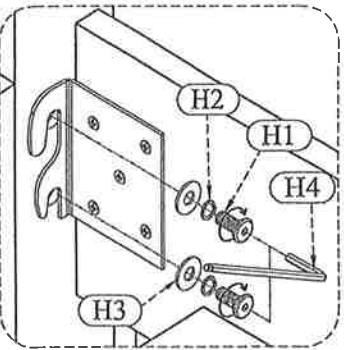
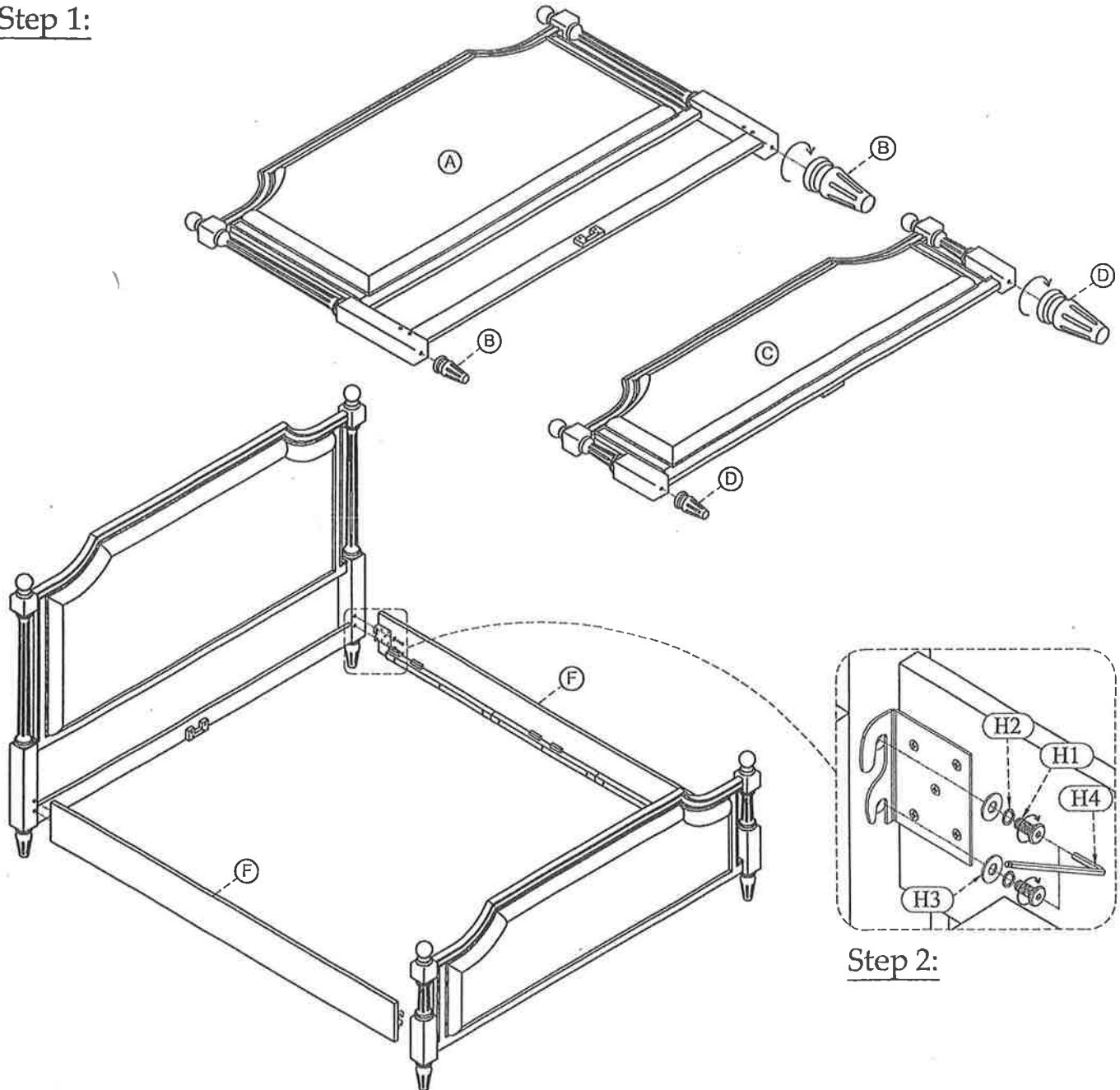
Components and Hardware List

Allen Head Bolt Ø8 x 20mm	Lock Washer Ø9 x Ø13mm	Flat Washer Ø8 x Ø20mm	Allen Key 4 x 110mm	Wood Screw Ø4 x 35mm	Wood Screw Ø4 x 25mm
					
(H1) 8 pcs.	(H2) 8 pcs.	(H3) 8 pcs.	(H4) 1 pc.	(H5) 2 pcs.	(H6) 9 pcs.
BOX #1 A. Headboard 1 Pc B. Leg 2 Pcs	BOX #2 C. Footboard 1 Pc D. Leg 2 Pcs E. Bed Slats 3 PCS	BOX #3 F. Siderails 2 Pcs G. Center Support 1 Pc H. Leg Support 3 Pcs			
					

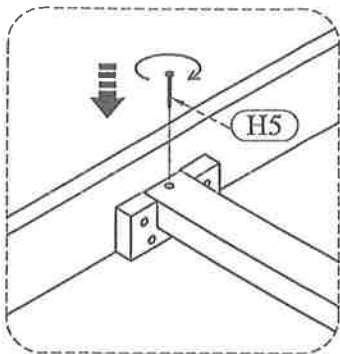


Be sure to check all packing material carefully for small parts, which may have come loose inside the carton during shipment.

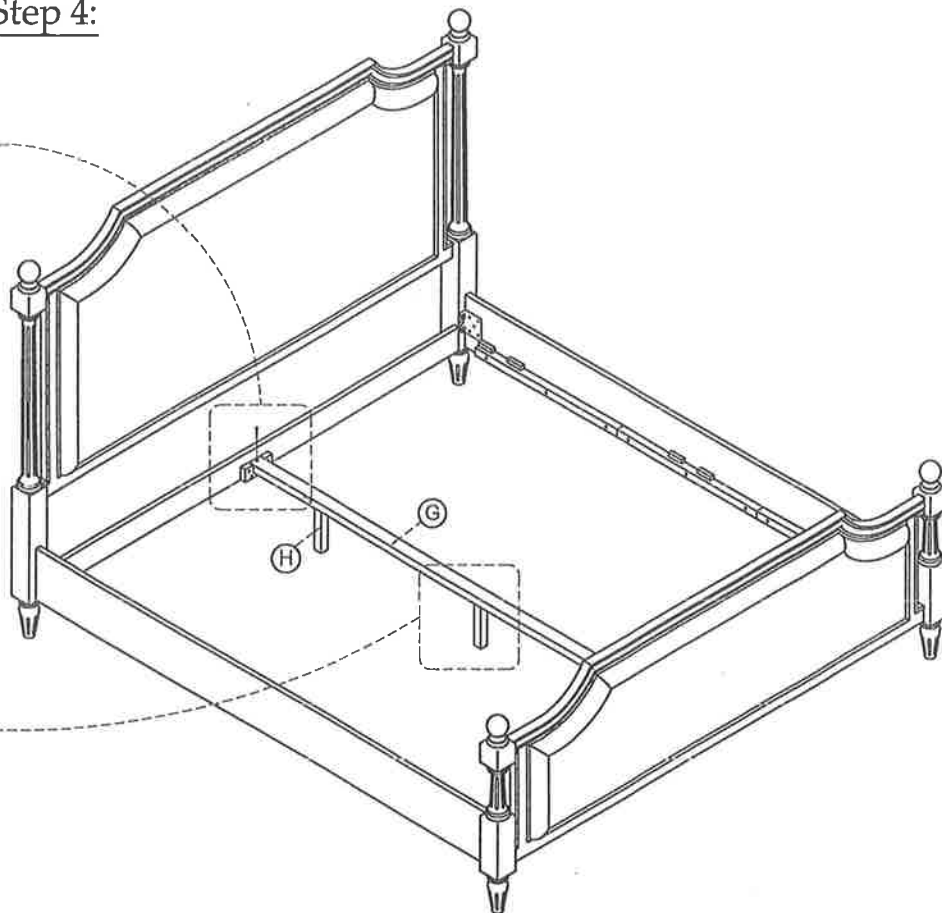
Step 1:



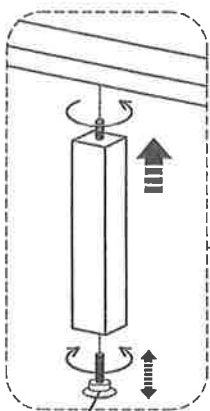
Step 2:



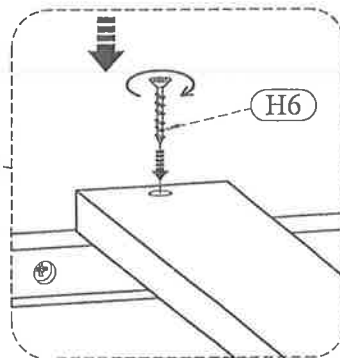
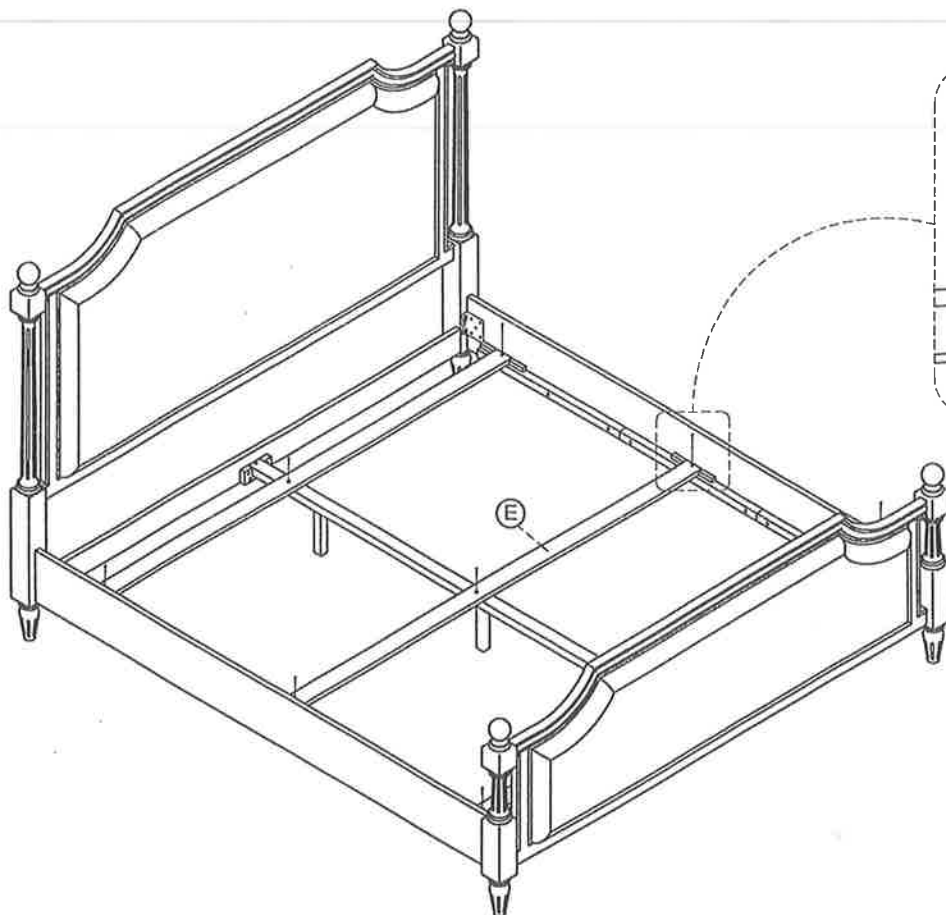
Step 4:



Step 3:



leveler



Step 5: