

# MIRROR Assembly Instructions

Made in Viet Nam

## Components and Hardware List

M6 x 40mm  
Allen Head Bolt



(H1) 8 pcs.

M6 x Ø13mm  
Spring Washer



(H2) 8 pcs.

M6 x Ø20mm  
Flat Washer



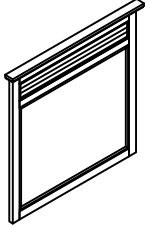
(H3) 8 pcs.

Ø4 x 110mm  
Wrench

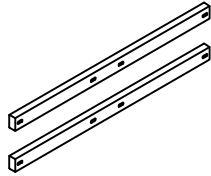


(H4) 1 pc.

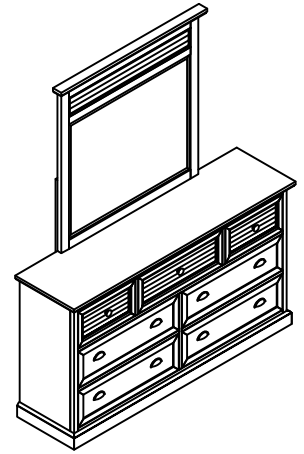
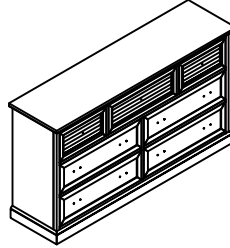
A. MIRROR 1 PC



B. Back support 2 PC



C. DRESSER 1 PC



### OPTION 1

