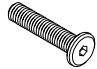

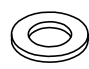
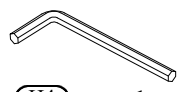
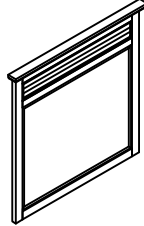
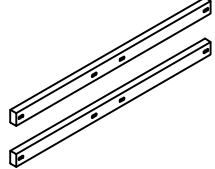
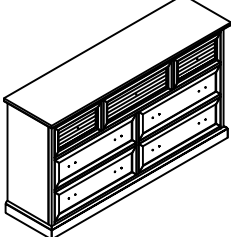
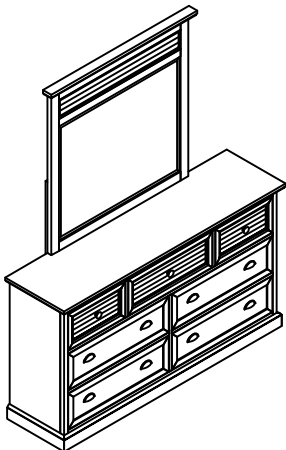


# MIRROR Assembly Instructions

Made in Viet Nam

## Components and Hardware List

<p>M6 x 40mm Allen Head Bolt</p>  <p>(H1) 8 pcs.</p>	<p>M6 x Ø13mm Spring Washer</p>  <p>(H2) 8 pcs.</p>	<p>M6 x Ø20mm Flat Washer</p>  <p>(H3) 8 pcs.</p>	<p>Ø4 x 110mm Wrench</p>  <p>(H4) 1 pc.</p>
<p>A. MIRROR 1 PC</p> 	<p>B. Back support 2 PC</p> 	<p>C. DRESSER 1 PC</p> 	

### OPTION 1

