

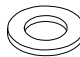
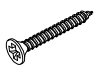

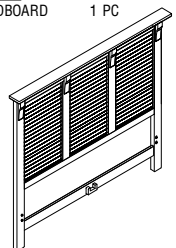
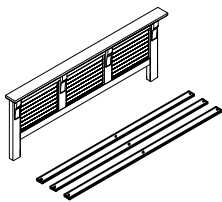
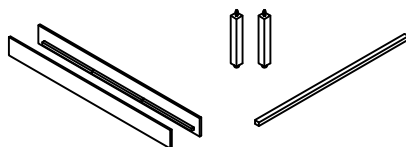
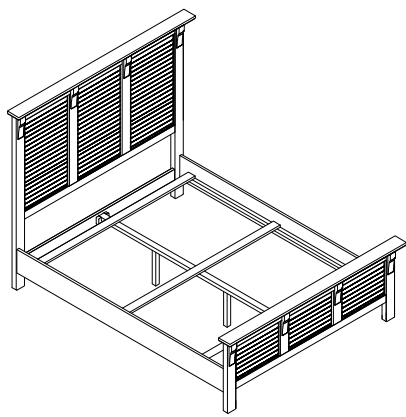
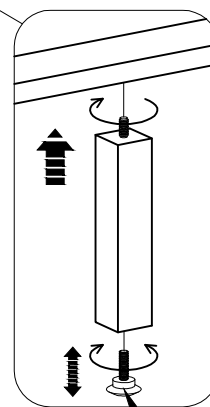
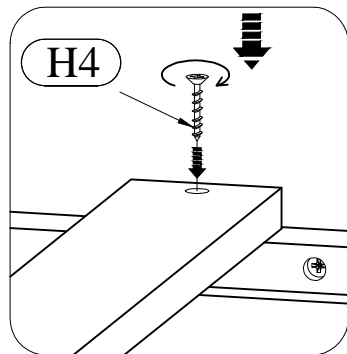
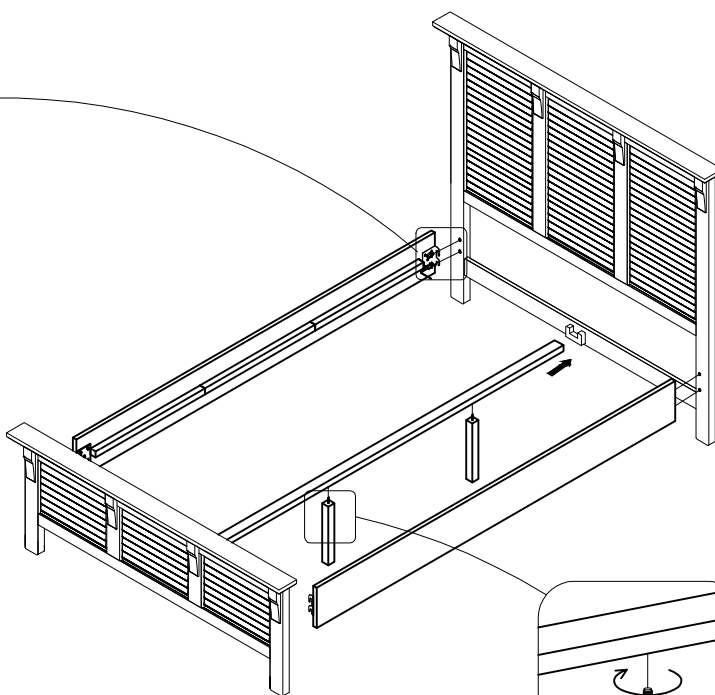
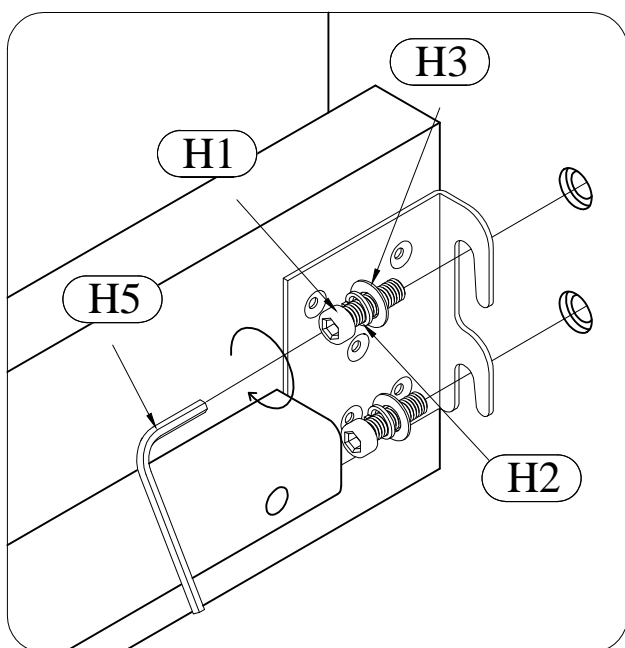


## Assembly Instructions

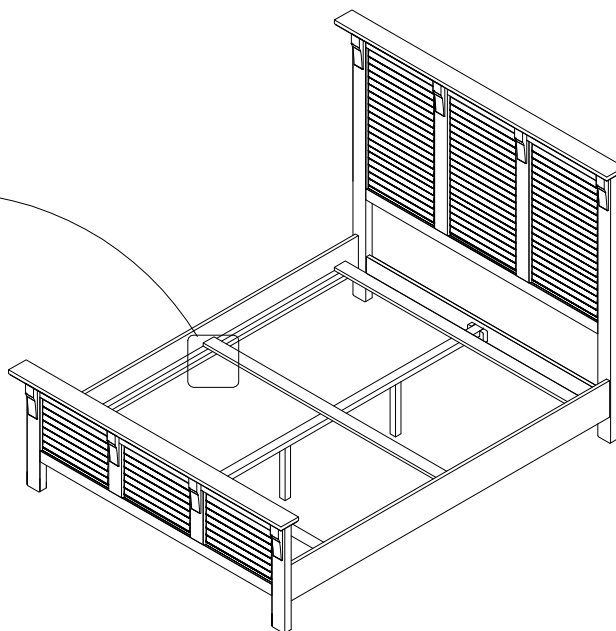
Made in Viet Nam

### Components and Hardware List

Ø8 x 20mm Allen Head Bolt  <b>(H1)</b> 8 pcs.	Ø8 x Ø12mm Spring Washer  <b>(H2)</b> 8 pcs.	Ø8 x Ø20mm Flat Washer  <b>(H3)</b> 8 pcs.	Ø4 x 25mm Wood Screw  <b>(H4)</b> 9 pcs.	6 x 80mm Wrench  <b>(H5)</b> 1 pc.
<b>BOX #1</b> A. HEADBOARD 1 PC 	<b>BOX #2</b> B. FOOTBOARD 1 PC C. BED SLATS 3 PCS 	<b>BOX #3</b> D. SIDERAILS 2 PCS E. CENTER SUPPORT 1 PC F. LEG SUPPORTS 2 PCS G. HARDWARE BOX 		



leveling



## Assembly Instructions

Made in Viet Nam

### Components and Hardware List

M6 x 40mm  
Allen Head Bolt



(H1) 8 pcs.

M6 x Ø13mm  
Spring Washer



(H2) 8 pcs.

M6 x Ø20mm  
Flat Washer



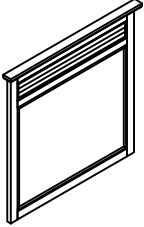
(H3) 8 pcs.

Ø4 x 110mm  
Wrench

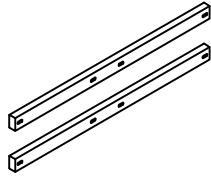


(H4) 1 pc.

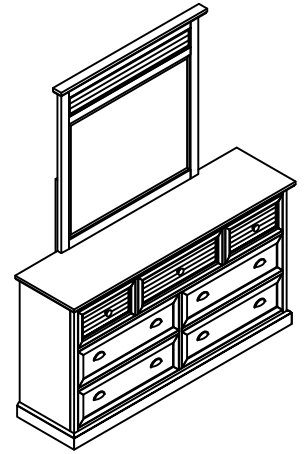
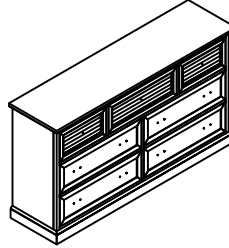
A. MIRROR 1 PC



B. Back support 2 PC



C. DRESSER 1 PC



### OPTION 1

