






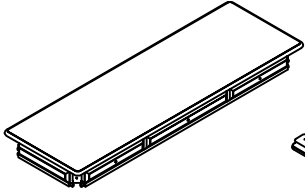
# CF-2386-0490 Writing Desk Assembly Instructions

Made in Viet Nam

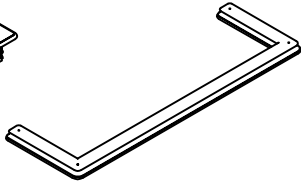
## Components and Hardware List

 Long Bolt Ø8 x 100mm (H1) 04 pcs.	 Bolt Ø8 x 50mm (H2) 04 pcs.	 Spring Washer Ø8 x Ø13mm (H3) 4 pcs.	 Flat Washer Ø8 x Ø20mm (H4) 4 pcs.	 Allen Wrench 4 x 110mm (H5) 1 pc.
---	--	---	---	---

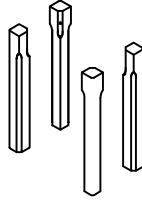
A. TOP FRAME  
1 PCS



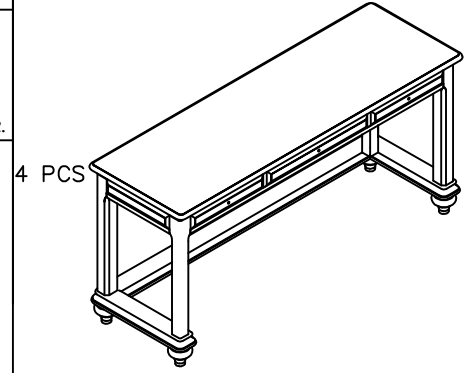
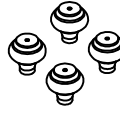
B. BOTTOM FRAME  
1 PCS



C. LEGS  
4 PCS

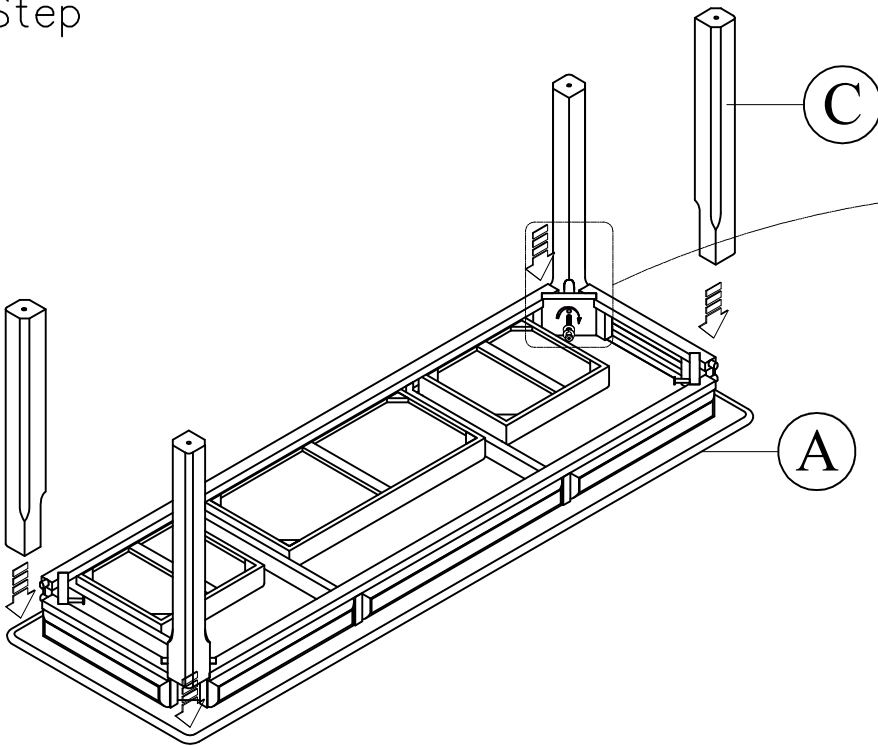


D. BUN FOOT  
4 PCS

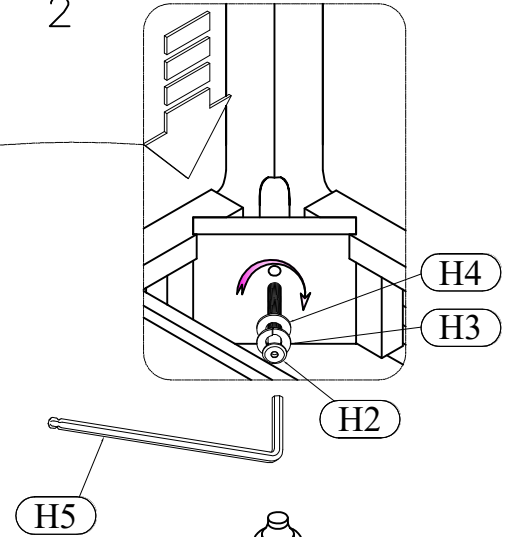


Be sure to check all packing material carefully for small parts, which may have come loose inside the carton during shipment.

Step  
1



Step  
2



Step 3 + 4

