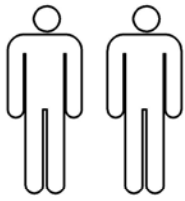
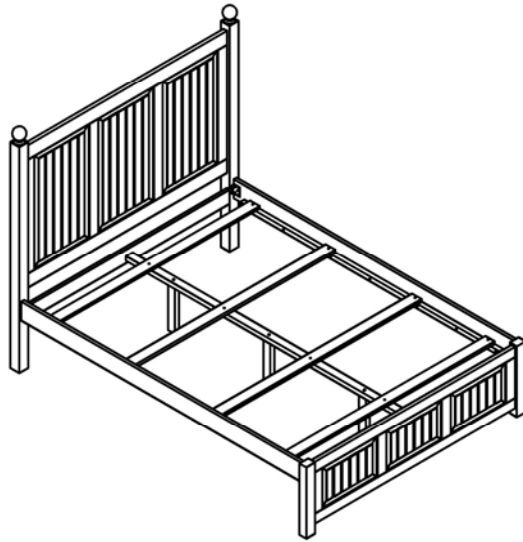
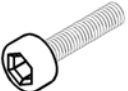






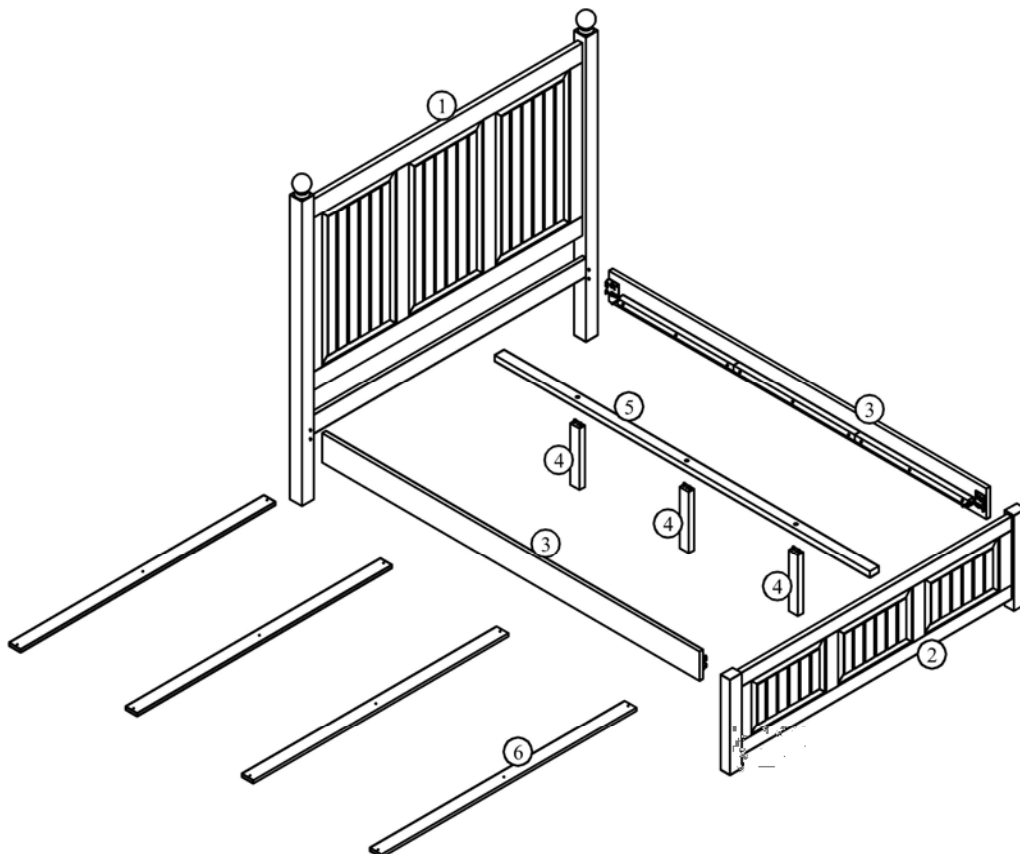


ASSEMBLY INSTRUCTION 1700 QUEEN/KING BED







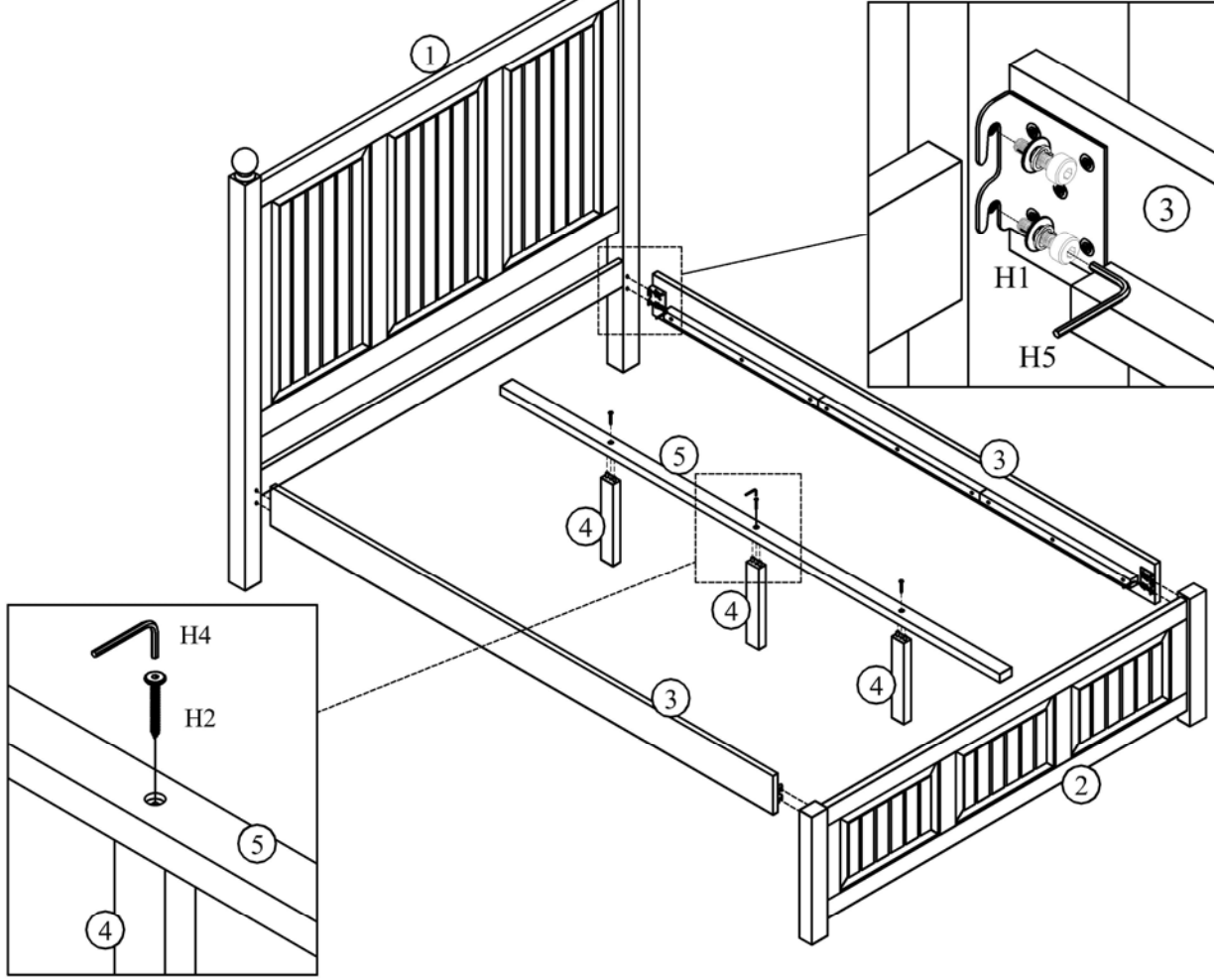
STUDY THE ASSEMBLY INSTRUCTIONS CAREFULLY.
 IDENTIFY ALL THE PIECES AND PARTS.
 GROUP THE HARDWARE.
 GET THE TOOLS AND MANPOWER NEEDED.
 PROCEED TO ASSEMBLE.
 NEVER FORCE FITTINGS.
 KEEP YOUR ASSEMBLY INSTRUCTIONS.
 ANY QUESTIONS, PLEASE CONTACT YOUR SUPPLIER.

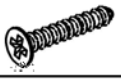
	H 1	8 PCS Ø8 x 20		H 3	12 PCS Ø4 x 25
		8 PCS Ø8		H 4	1 PC Ø 4
		8 PCS Ø8		H 5	1 PC Ø 6
	H 2	3 PCS Ø6 x 50			

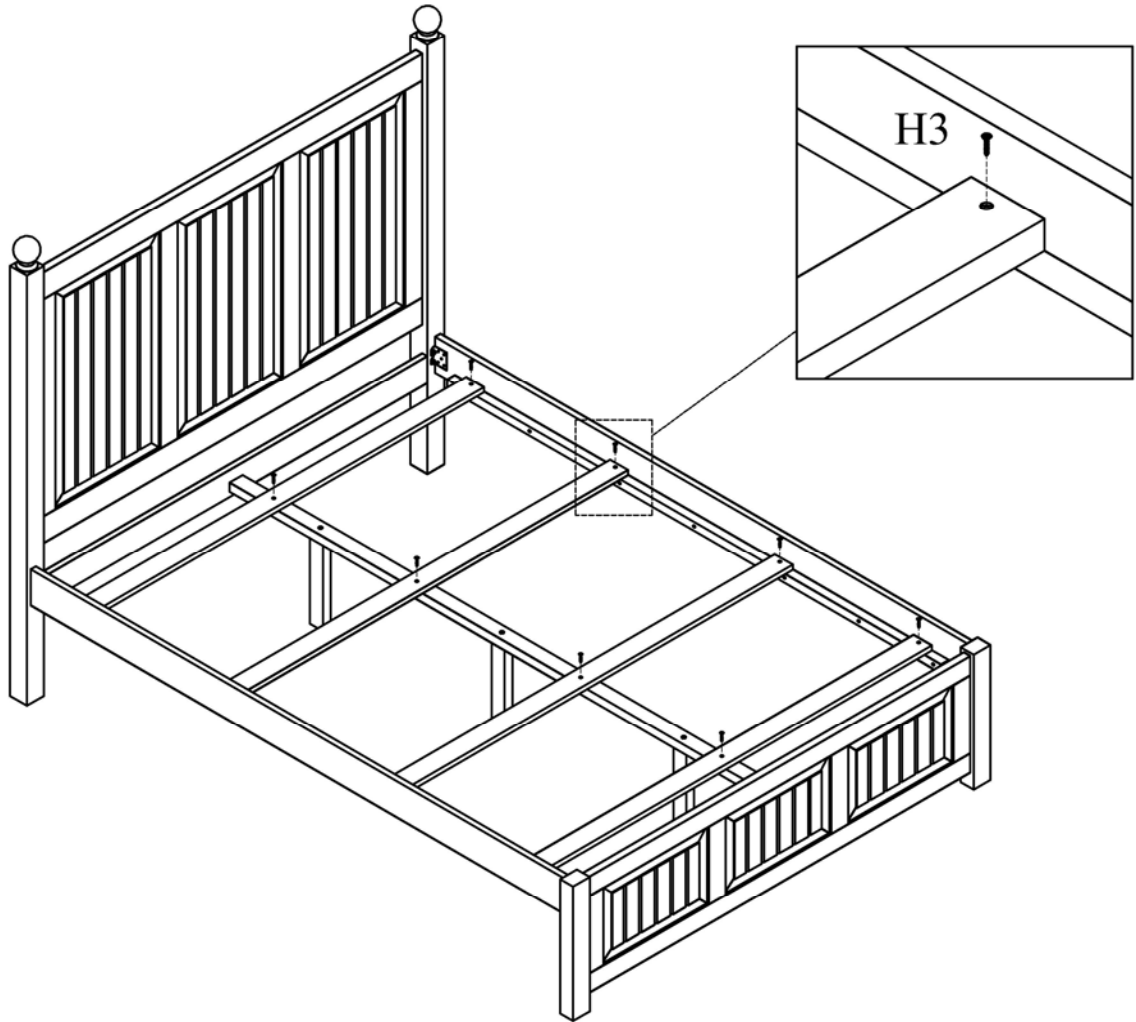


1 →

- | | | | |
|---|---|---|---|
|  |  |  |  |
| H4 4 | H5 6 | H2 x 3 | H1 x 8 |



- | |
|--|
|  |
| H3 x 12pcs |
| 2 → |



MIRROR

Assembly Instructions

Components and Hardware List

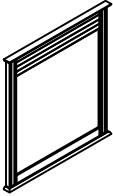
Made in Viet Nam

Ø4 x 35mm
Wood Screw

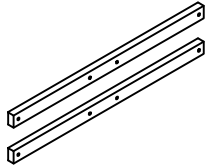


H1 8 pcs.

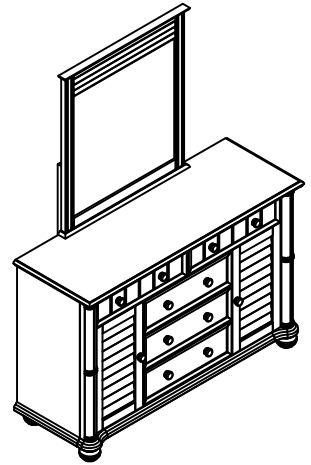
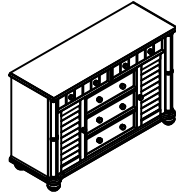
A. MIRROR 1 PC



B. Back support 2 PC



C. DRESSER 1 PC



OPTION 1

