



**ITEM#: SP300S**  
**Sparrow Round Stool**  
**16" x 16" x 25.5-32"H**

Your furniture purchase is an investment. Here are a few tips to maximize the lifetime of your furniture with a minimal amount of effort. Properly caring for your furniture can help ensure that it looks great year after year.

**Wood Furniture Maintenance:**

- Always dust, wipe, and clean with the grain of the wood.
- Dust with a soft cloth. Dust will scratch the furniture surface if not removed properly.
- If a polished surface becomes foggy, rub it with a cloth dipped in a solution of one tablespoon vinegar to one quart of water. Rub softly with the grain until the surface is completely dry.
- Soap and water are not advisable for wood surfaces. Water can penetrate the finish and raise the grain on wood, causing damage.
- Remember to change dusting cloths frequently as dirty cloths may scratch your furniture's surface.

**The Enemies of Wood:**

- Moisture is wood's worst enemy. Liquid spills should be gently wiped up immediately. Coasters should be used under all beverages.
- Do not allow rubber or vinyl materials to lie on the furniture. Chemicals in rubber may leave a stain. Put a strip of felt or leather under accessories that have rubber or vinyl.
- Heat creates a chemical change in the furniture's finish, which result in a white spot. Use protective pads under hot dishes, appliances, etc.
- Sunlight's ultraviolet rays can damage the finish of furniture. Do not place furniture directly against a heater or radiator and do not place in the path of hot streams of air from central heating. This will cause extreme localized drying of the wood.

**Marble Top Maintenance:**

The surface of the marble on your table has been polished and sealed to create a generally non-porous surface. The stone has many natural characteristics including veining, hairline cracks, and color variations, which make up the stone's beauty.

**To maintain the beauty of your marble:**

- Protect surfaces from scratching, staining and etching by:
  - Keeping them free of debris or sharp objects.
  - Wiping up spills immediately
  - Avoiding contact with chemicals (particularly acid-based materials)
- Clean with PH neutral products or those especially formulated for use on stone.
- It is not recommended to use a water-based solvent for dark marble as it will remove the polish from the surface.

**Caring for the Fabric on Upholstered Furniture:**

- Frequent vacuuming of the entire upholstered area will prevent dust from settling into the fibers.
- Professional cleaning is always recommended for all upholstered pieces.
- Do not use cleaning products containing brightening agents.

**VERY IMPORTANT!!**


**NEVER**  
 USE GLASS CLEANERS  
 ON FINISHED SURFACES.  
 AMMONIA WILL  
 CHEMICALLY ATTACK  
 THE FINISH.

DO NOT  
 WRITE  
 DIRECTLY  
 ON  
 SURFACE 

**PREVENT  
 MARKING**


DO NOT  
 PLACE  
 DIRECTLY  
 IN  
 SUNLIGHT 

**PREVENT  
 FADING**

DO NOT  
 USE  
 PLACEMATS  
 WITH  
 RUBBER  
 BASES 

**PREVENT  
 DISCOLORING**


**NEVER**  
 ALLOW LIQUIDS OF ANY  
 KIND TO LINGER ON  
 SURFACES. ABSORPTION  
 CAUSES THE WOOD TO  
 WARP AND THE FINISH  
 TO DE-LAMINATE.

DO NOT USE  
 COMMERCIAL  
 POLISHES  
 AND WAXES 

**PREVENT  
 YELLOWING**

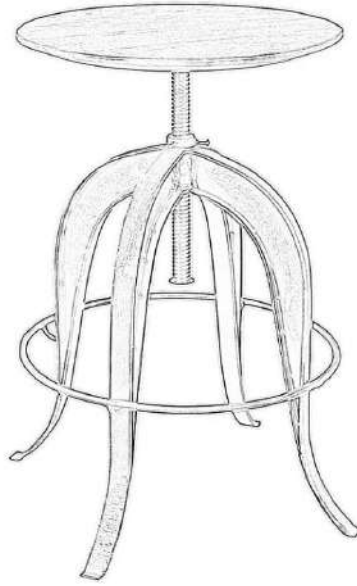
DO NOT  
 PLACE HOT  
 POTS, ETC  
 ON  
 SURFACE 

**PREVENT  
 DAMAGE TO  
 FINISH!**

REGULATE  
 THE  
 HUMIDITY  
 CONDITIONS  
 AT YOUR  
 HOME 

**PREVENT  
 SPLITTING**

# SP300S



<b>PRODUCT DETAILS</b>	
<b>TOP</b>	<b>SHEESHAM WOOD</b>
<b>BASE</b>	<b>IRON</b>
<b>PRODUCT SIZE</b>	<b>16" x 16" x 25.5-32"H</b>
<b>CARTON SIZE</b>	<b>19" x 18" x 26.75"</b>
<b>NET WEIGHT</b>	<b>23.69 LBS.</b>
<b>GROSS WEIGHT</b>	<b>31.60 LBS.</b>
<b>CU. FT.</b>	<b>5.29</b>

**MADE IN INDIA**



ITEM#: SP300RT  
 Sparrow Round Crank Table  
 30" x 30" x 29-41"H

Your furniture purchase is an investment. Here are a few tips to maximize the lifetime of your furniture with a minimal amount of effort. Properly caring for your furniture can help ensure that it looks great year after year.

**Wood Furniture Maintenance:**

- Always dust, wipe, and clean with the grain of the wood.
- Dust with a soft cloth. Dust will scratch the furniture surface if not removed properly.
- If a polished surface becomes cloudy, rub it with a cloth dipped in a solution of one tablespoon vinegar to one quart of water. Rub softly with the grain until the surface is completely dry.
- Soap and water are not advisable for wood surfaces. Water can penetrate the finish and raise the grain on wood, causing damage.
- Remember to change dusting cloths frequently as dirty cloths may scratch your furniture's surface.

**The Enemies of Wood:**

- Moisture is wood's worst enemy. Liquid spills should be gently wiped up immediately. Coasters should be used under all beverages.
- Do not allow rubber or vinyl materials to lie on the furniture. Chemicals in rubber may leave a stain. Put a strip of felt or leather under accessories that have rubber or vinyl.
- Heat creates a chemical change in the furniture's finish, which may result in a white spot. Use protective pads under hot dishes, appliances, etc.
- Sunlight's ultraviolet rays can damage the finish of furniture. Do not place furniture directly against a heater or radiator and do not place in the path of hot streams of air from central heating. This will cause extreme localized drying of the wood.

**Marble Top Maintenance:**

The surface of the marble on your table has been polished and sealed to create a generally non-porous surface. The stone has many natural characteristics including veining, hairline cracks, and color variations, which make up the stone's beauty.

**To maintain the beauty of your marble:**

- Protect surfaces from scratching, staining and etching by:
  - Keeping them free of debris or sharp objects.
  - Wiping up spills immediately
  - Avoiding contact with chemicals (particularly acid-based materials)
- Clean with PH neutral products or those especially formulated for use on stone.
- It is not recommended to use a water-based solvent for dark marble as it will remove the polish from the surface.

**Caring for the Fabric on Upholstered Furniture:**

- Frequent vacuuming of the entire upholstered area will prevent dust from settling into the fibers.
- Professional cleaning is always recommended for all upholstered pieces.
- Do not use cleaning products containing brightening agents.

<b>VERY IMPORTANT!!</b>			
<p><b>NEVER</b>            USE GLASS CLEANERS ON FINISHED SURFACES. AMMONIA WILL CHEMICALLY ATTACK THE FINISH.</p>	<p>DO NOT WRITE DIRECTLY ON SURFACE </p> <p><b>PREVENT MARKING</b></p>	<p>DO NOT PLACE DIRECTLY IN SUNLIGHT </p> <p><b>PREVENT FADING</b></p>	<p>DO NOT USE PLACEMATS WITH RUBBER BASES </p> <p><b>PREVENT DISCOLORING</b></p>
<p><b>NEVER</b>            ALLOW LIQUIDS OF ANY KIND TO LINGER ON SURFACES. ABSORPTION CAUSES THE WOOD TO WARP AND THE FINISH TO DE-LAMINATE.</p>	<p>DO NOT USE COMMERCIAL POLISHES AND WAXES </p> <p><b>PREVENT YELLOWING</b></p>	<p>DO NOT PLACE HOT POTS, ETC ON SURFACE </p> <p><b>PREVENT DAMAGE TO FINISH!</b></p>	<p>REGULATE THE HUMIDITY CONDITIONS AT YOUR HOME </p> <p><b>PREVENT SPLITTING</b></p>

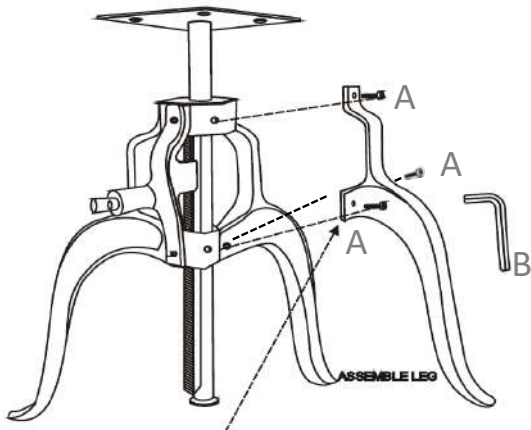
# SP300RT

## ASSEMBLY INSTRUCTIONS

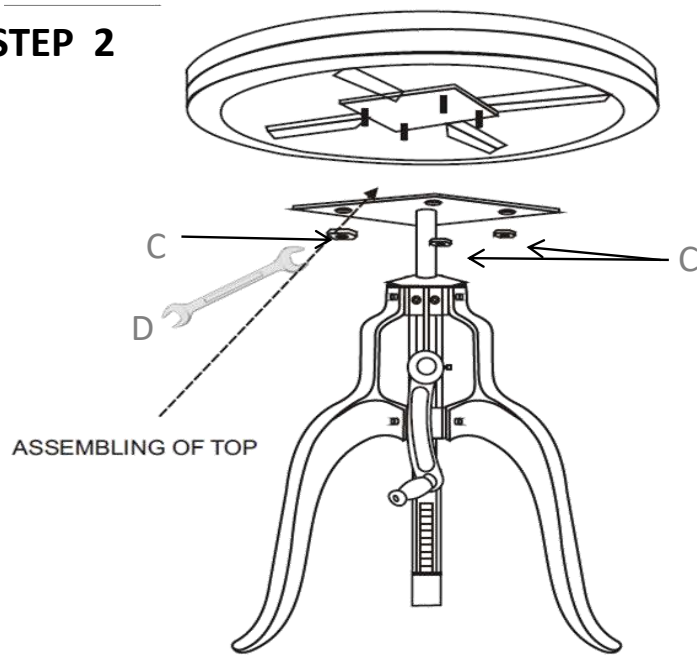
Do not fully tighten bolts & screws until the entire item is completely assembled.

Two people required for assembly.

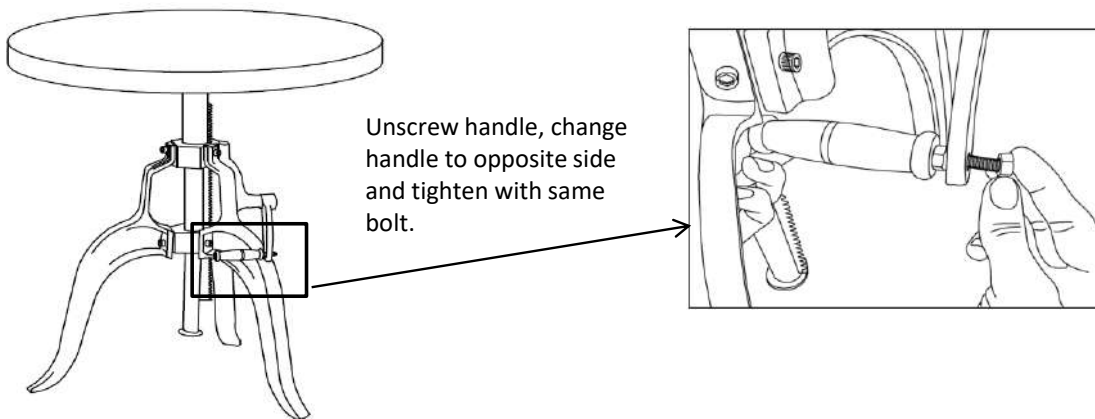
### STEP 1



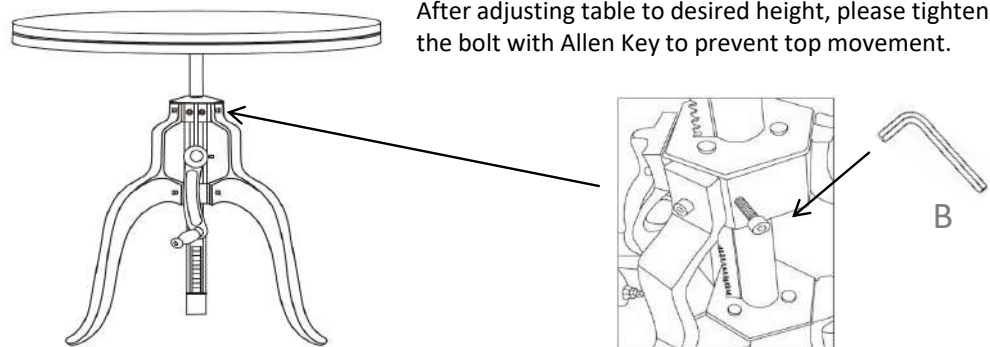
### STEP 2




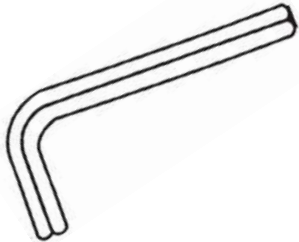


### STEP 3



### STEP 4

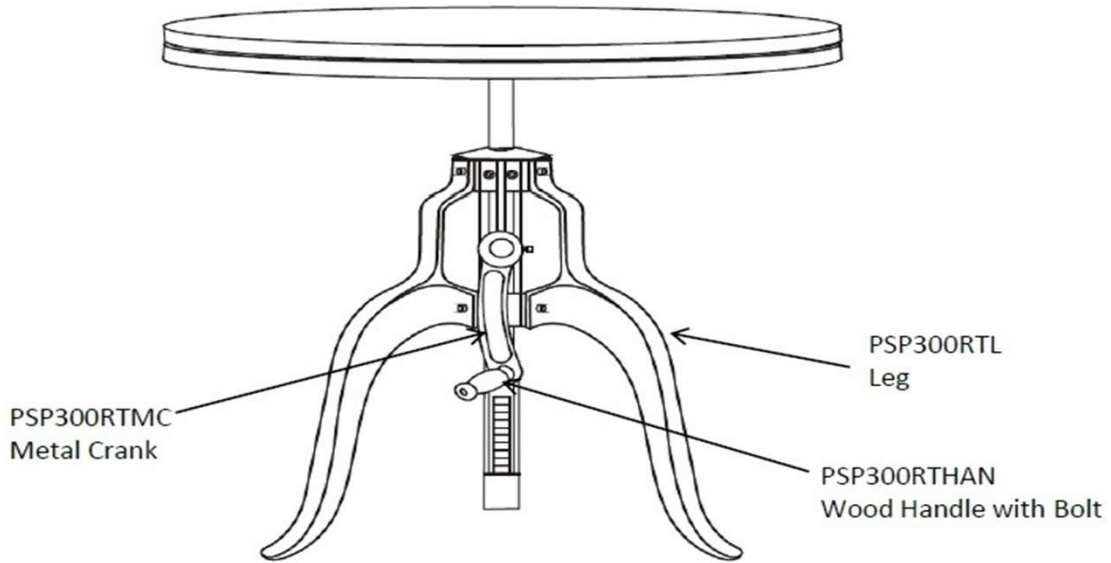


# HARDWARE PACK # PSP300RTH

A		$\varnothing 8/25\text{mm}$	3 PCS.
B		$\varnothing 7/15\text{mm}$	1 PC.
C		$\varnothing 8/15\text{mm}$	4 PCS.
D		16/17	1 PC.



**PARTS FOR SP300RT**  
**COMPLETE HARDWARE# : PSP300RTH**



<b>PRODUCT DETAILS</b>	
<b>TOP</b>	<b>SHEESHAM WOOD</b>
<b>BASE</b>	<b>IRON</b>
<b>HANDLE WITH BOLT</b>	<b>SHEESHAM WOOD &amp; IRON</b>
<b>METAL CRANK</b>	<b>IRON</b>
<b>PRODUCT SIZE</b>	<b>30"x30"x29"-41" H</b>
<b>CARTON SIZE</b>	<b>36"x16.5"x33"</b>
<b>NET WEIGHT</b>	<b>76.15 LBS.</b>
<b>GROSS WEIGHT</b>	<b>108.64 LBS.</b>
<b>CU. FT.</b>	<b>11.34</b>

**MADE IN INDIA**