



ITEM#: SE3000A
Sedona Silvershield 3-Pack Occasional
C-32"x32"x20", E-21"x21"x25"

Your furniture purchase is an investment. Here are a few tips to maximize the lifetime of your furniture with a minimal amount of effort. Properly caring for your furniture can help ensure that it looks great year after year.

Wood Furniture Maintenance:

- Always dust, wipe, and clean with the grain of the wood.
- Dust with a soft cloth. Dust will scratch the furniture surface if not removed properly.
- If a polished surface becomes foggy, rub it with a cloth dipped in a solution of one tablespoon vinegar to one quart of water. Rub softly with the grain until the surface is completely dry.
- Soap and water are not advisable for wood surfaces. Water can penetrate the finish and raise the grain on wood, causing damage.
- Remember to change dusting cloths frequently as dirty cloths may scratch your furniture's surface.

The Enemies of Wood:

- Moisture is wood's worst enemy. Liquid spills should be gently wiped up immediately. Coasters should be used under all beverages.
- Do not allow rubber or vinyl materials to lie on the furniture. Chemicals in rubber may leave a stain. Put a strip of felt or leather under accessories that have rubber or vinyl.
- Heat creates a chemical change in the furniture's finish, which result in a white spot. Use protective pads under hot dishes, appliances, etc.
- Sunlight's ultraviolet rays can damage the finish of furniture. Do not place furniture directly against a heater or radiator and do not place in the path of hot streams of air from central heating. This will cause extreme localized drying of the wood.

Marble Top Maintenance:

The surface of the marble on your table has been polished and sealed to create a generally non-porous surface. The stone has many natural characteristics including veining, hairline cracks, and color variations, which make up the stone's beauty.

To maintain the beauty of your marble:

- Protect surfaces from scratching, staining and etching by:
 - Keeping them free of debris or sharp objects.
 - Wiping up spills immediately
 - Avoiding contact with chemicals (particularly acid-based materials)
- Clean with PH neutral products or those especially formulated for use on stone.
- It is not recommended to use a water-based solvent for dark marble as it will remove the polish from the surface.

Caring for the Fabric on Upholstered Furniture:

- Frequent vacuuming of the entire upholstered area will prevent dust from settling into the fibers.
- Professional cleaning is always recommended for all upholstered pieces.
- Do not use cleaning products containing brightening agents.

VERY IMPORTANT!!

NEVER
 USE GLASS CLEANERS
 ON FINISHED SURFACES.
 AMMONIA WILL
 CHEMICALLY ATTACK
 THE FINISH.



**PREVENT
 MARKING**

**DO NOT
 PLACE
 DIRECTLY
 IN
 SUNLIGHT**



**PREVENT
 FADING**

**DO NOT
 USE
 PLACEMATS
 WITH
 RUBBER
 BASES**



**PREVENT
 DISCOLORING**

NEVER
 ALLOW LIQUIDS OF ANY
 KIND TO LINGER ON
 SURFACES. ABSORPTION
 CAUSES THE WOOD TO
 WARP AND THE FINISH
 TO DE-LAMINATE.



**PREVENT
 YELLOWING**

**DO NOT
 PLACE HOT
 POTS, ETC
 ON
 SURFACE**



**PREVENT
 DAMAGE TO
 FINISH!**

**REGULATE
 THE
 HUMIDITY
 CONDITIONS
 AT YOUR
 HOME**



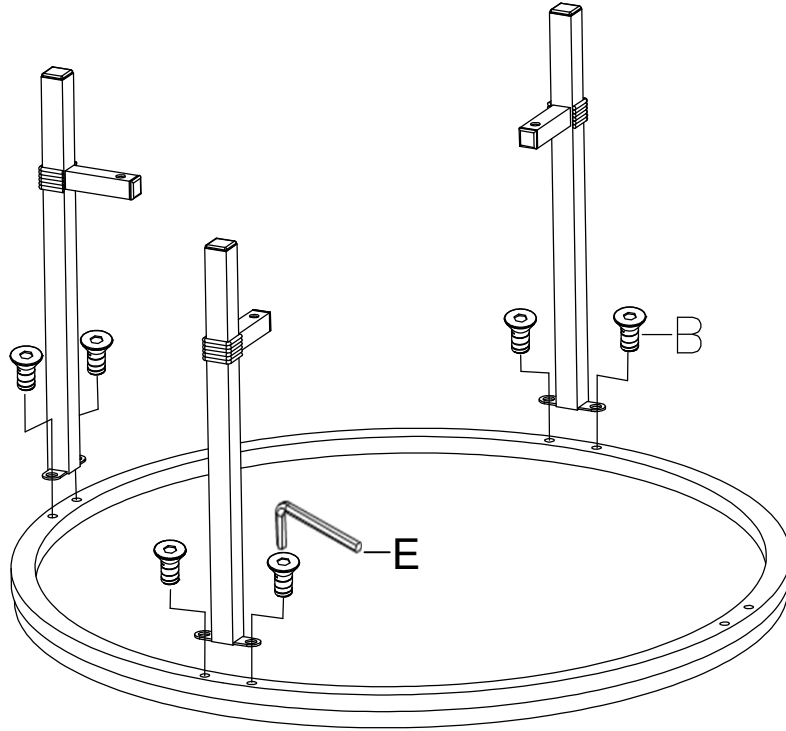
**PREVENT
 SPLITTING**

SE3000A

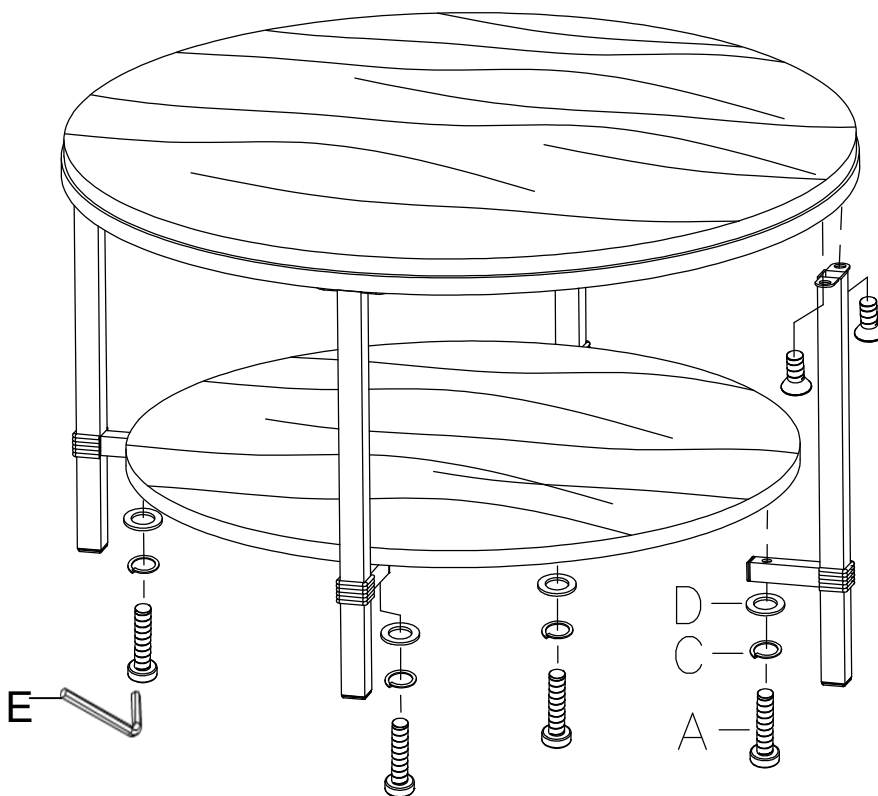
Assembly Instructions

***Do not fully tighten screws & bolts until the entire unit is completely assembled.**

Step1



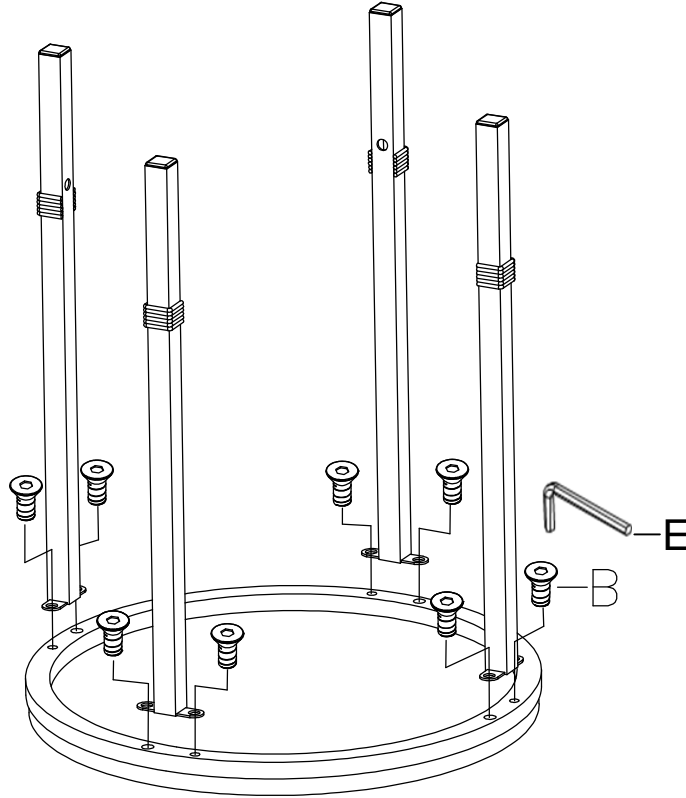
Step2



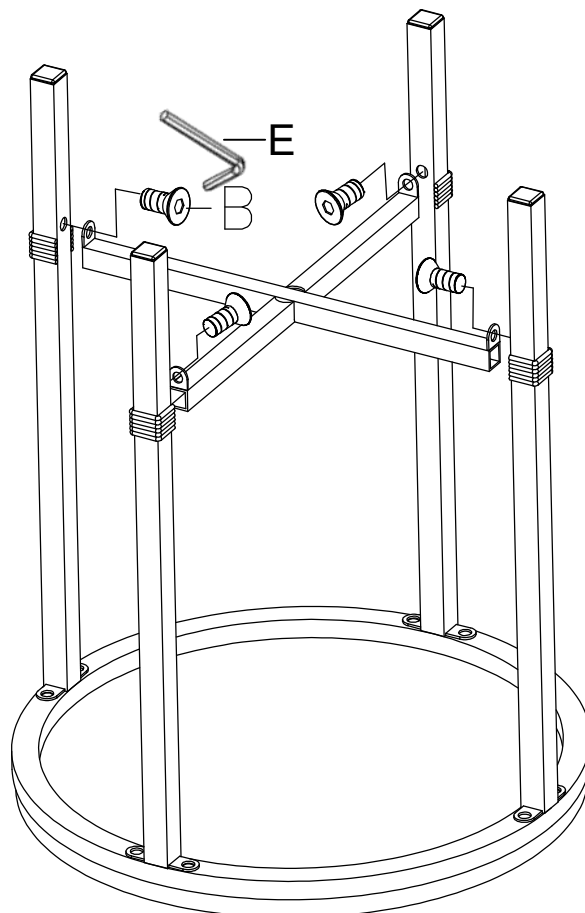
Assembly Instructions

***Do not fully tighten screws & bolts until the entire unit is completely assembled.**

Step3



Step4



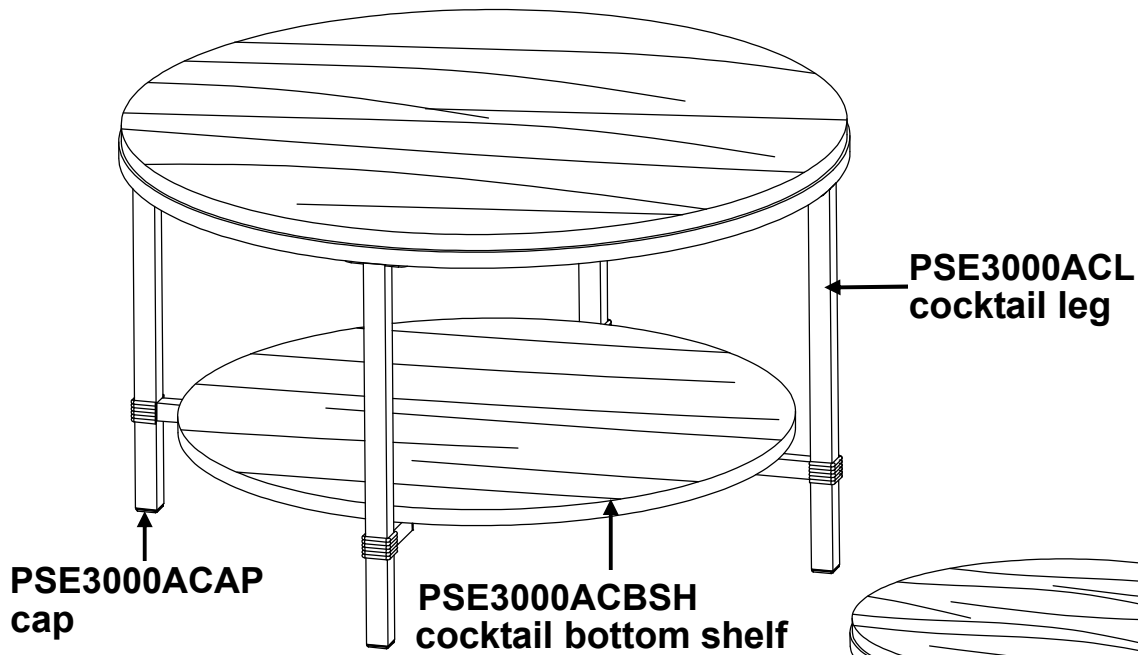
Hardware Pack#: PSE3000AH

A		4PCS	1/4"x32mm
B		32PCS	1/4"x13mm
C		4PCS	1/4"
D		4PCS	1/4"
E		1PC	4mm

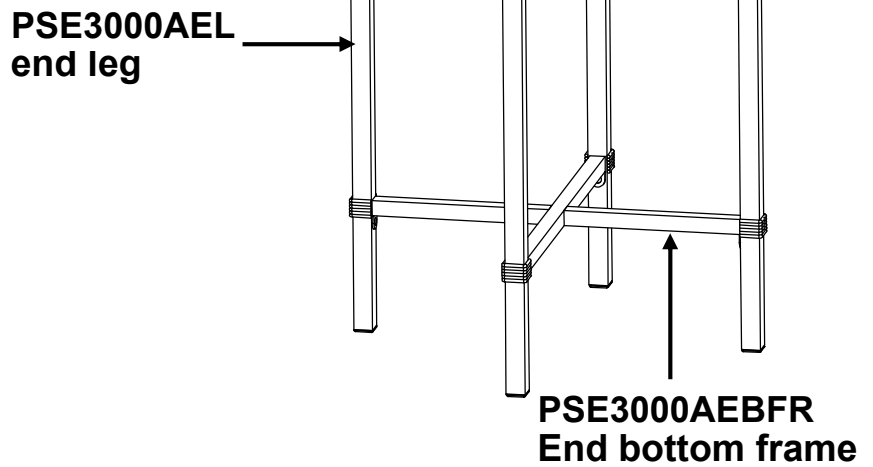
PARTS FOR SE3000A

Complete Hardware#: PSE3000AH

Cocktail Table



End Table



PRODUCT DETAILS	
TOP	PAPER VENEER ON PB
SHELF	PAPER VENEER ON PB
BASE	IRON
COLOR OF METAL	BROWN
PRODUCT SIZE	COCKTAIL 32"X32"X20" END 21"x21"x25"
CARTON SIZE	35.875"x34.625"x7.25"
NET WEIGHT	58.39 LBS
GROSS WEIGHT	62.88 LBS
CU.FT.	5.21'

MADE IN TAIWAN